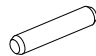






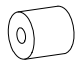


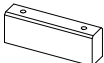
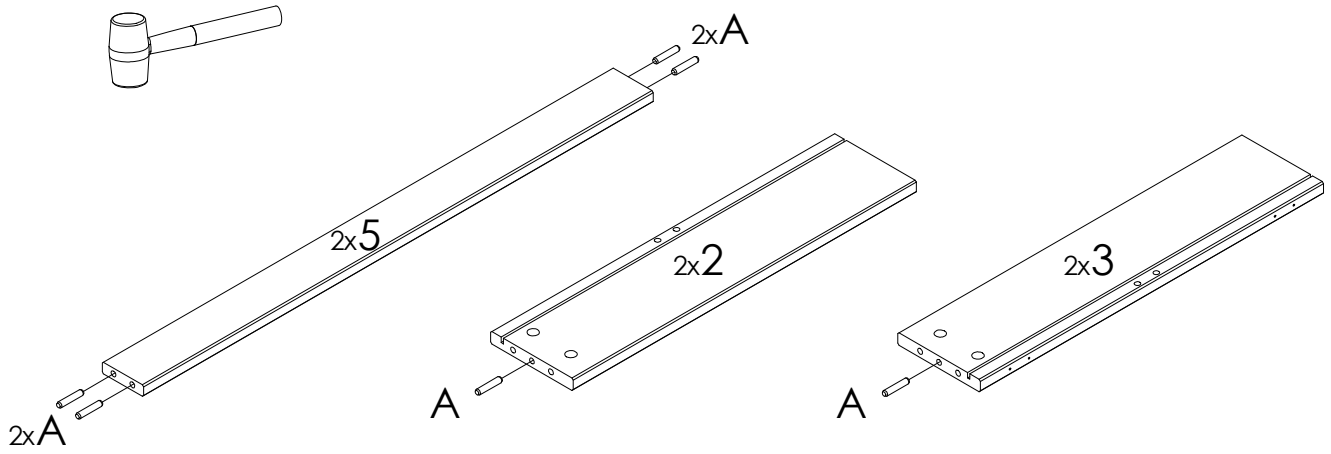


A		8x40	x12
B		7x34	x8
C		15x12	x8
D		3,5x40	x8
E		D=26	x8
F		3,5x16	x16

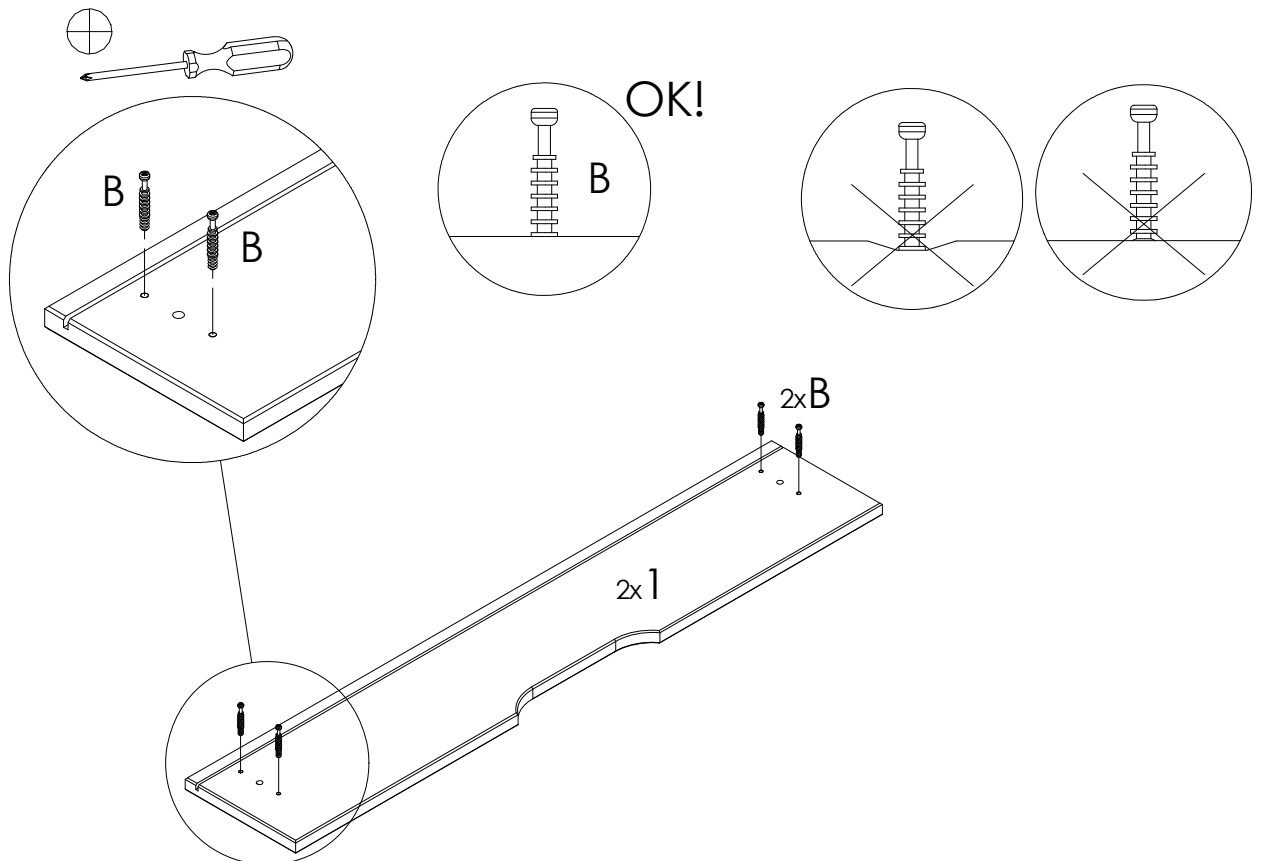
G		860mm	x2
H		D19x19	x2
J		5x38	x2
K		4x50	x2
L		92x32x20	x1

①



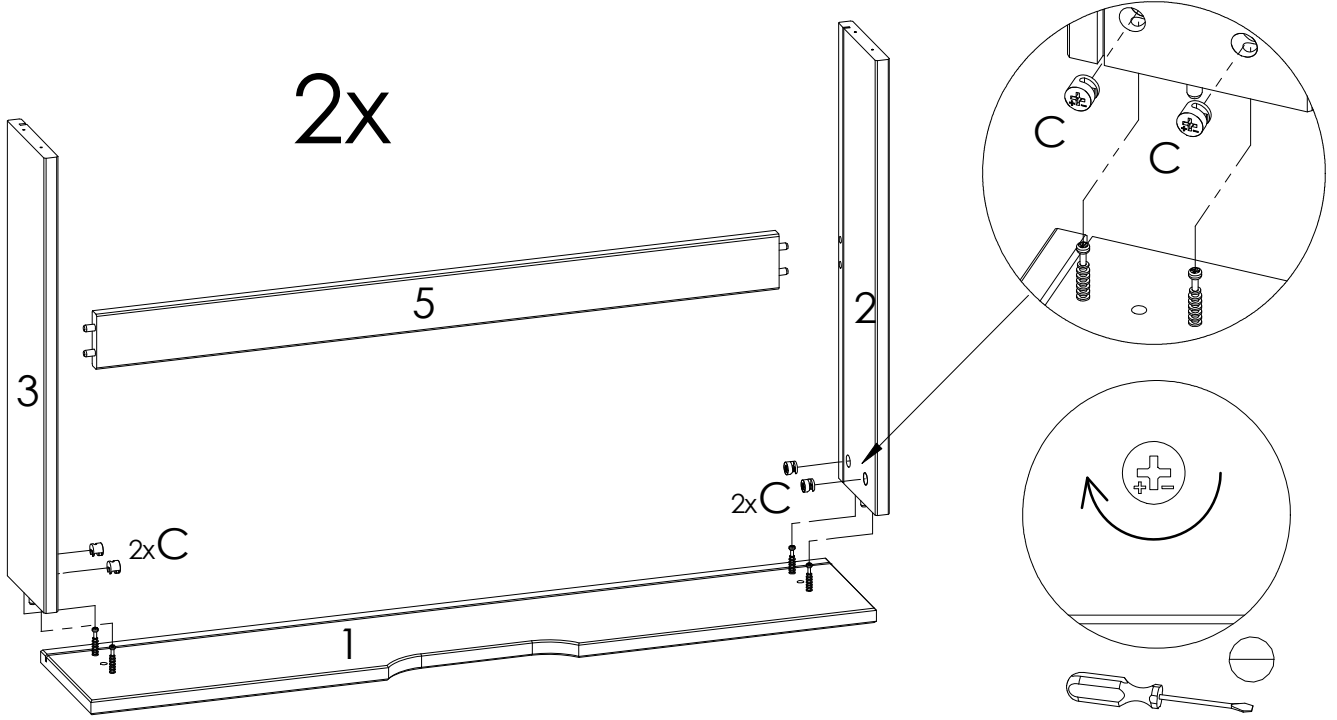
A		8x40	x12
---	---	------	-----

②



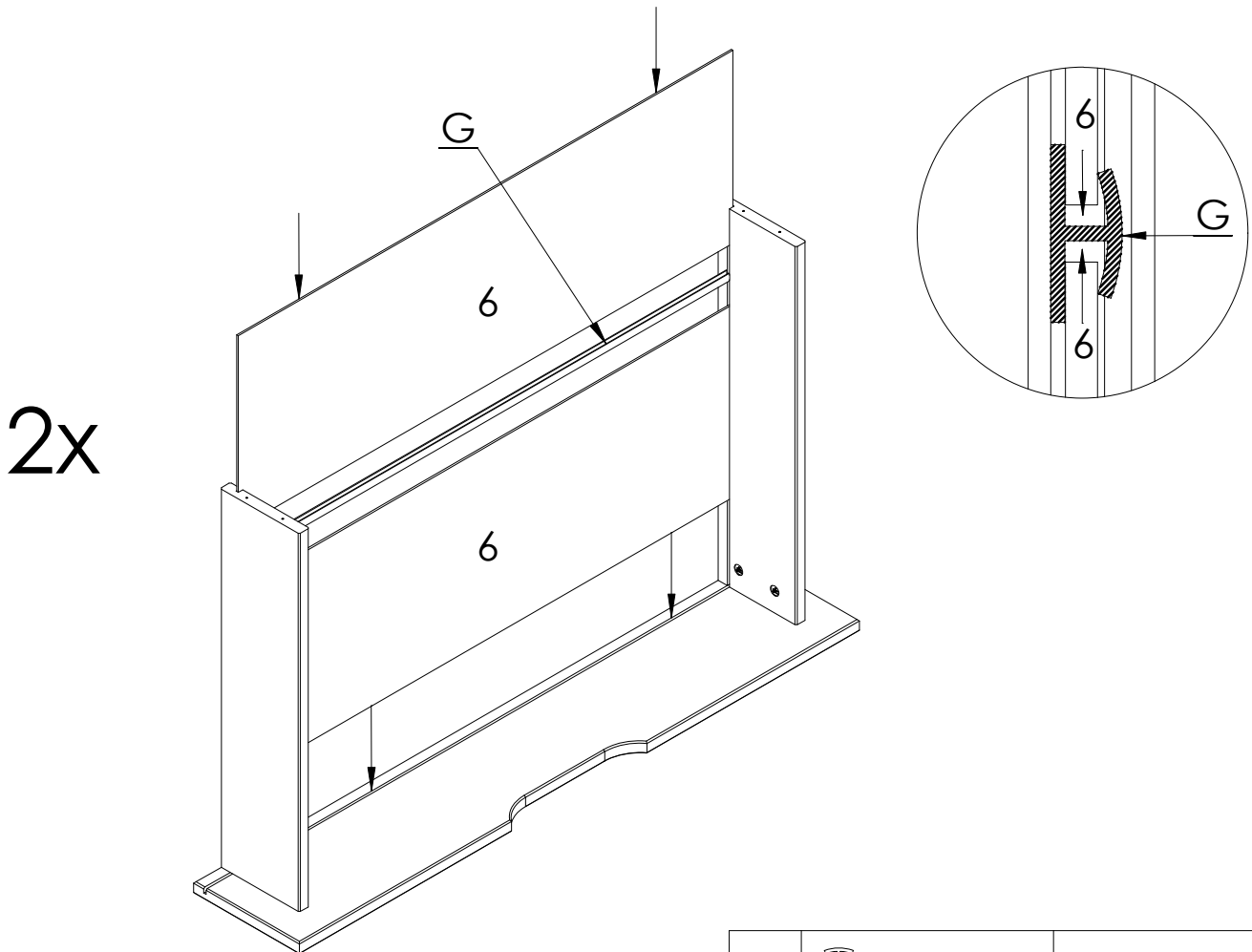
B		7x34	x8
---	---	------	----

3



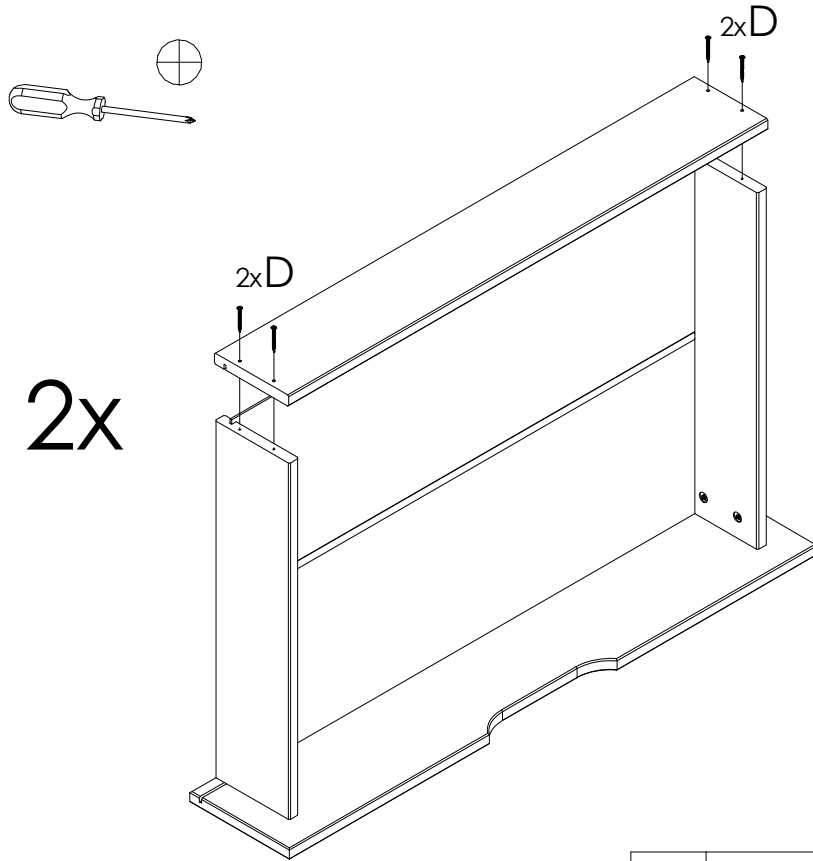
P		15x12	x8
---	--	-------	----

4



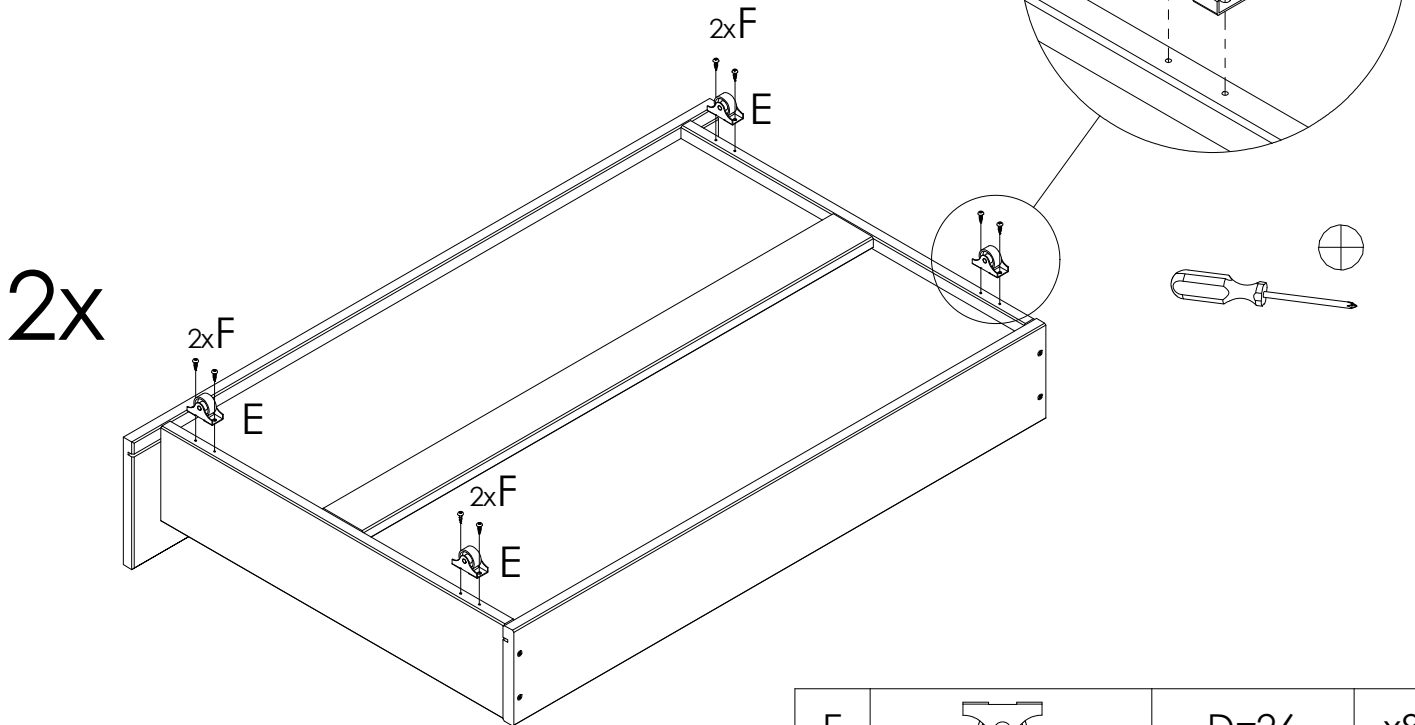
G		860mm	x2
---	--	-------	----



5



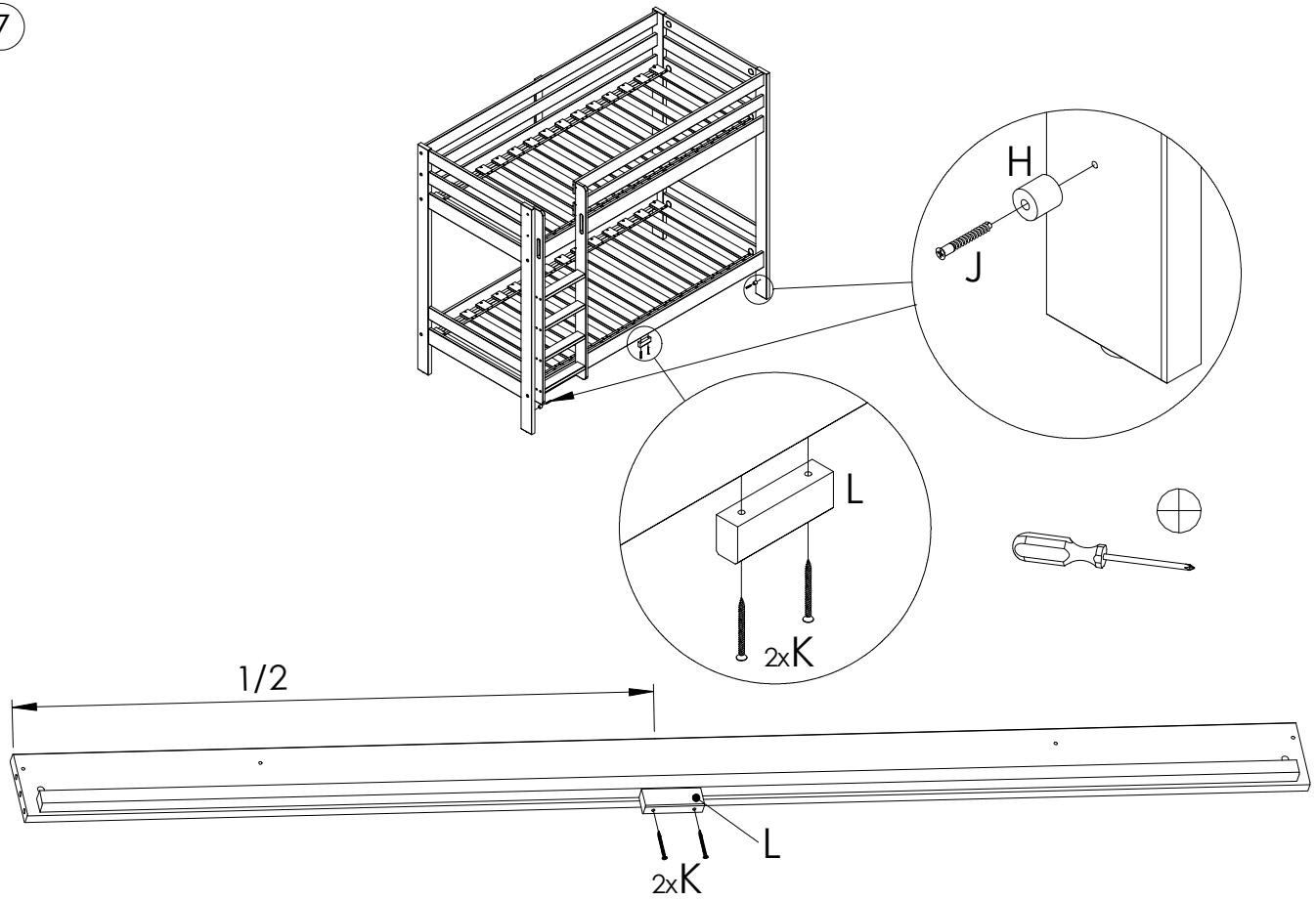
D		3,5x40	x8
---	---	--------	----

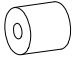

6


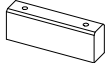


E		D=26	x8
F		3,5x16	x16

7



H		D19x19	x2
J		5x38	x2

K		4x50	x2
L		92x32x20	x1

