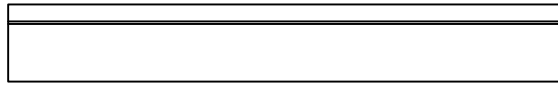


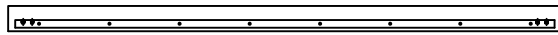
# Assembly Instructions

## Trundle

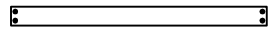
### Part in Box 1



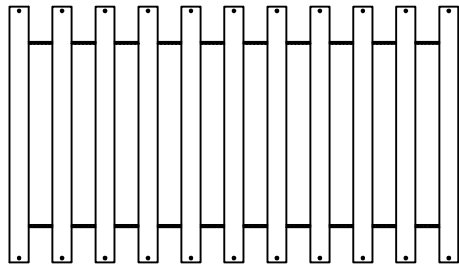
(A) Front Panel x 1



(B) Back Panel x 1



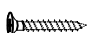



(C) End Slat x 2

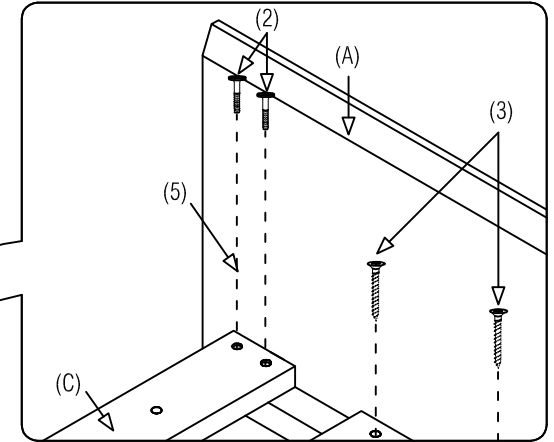
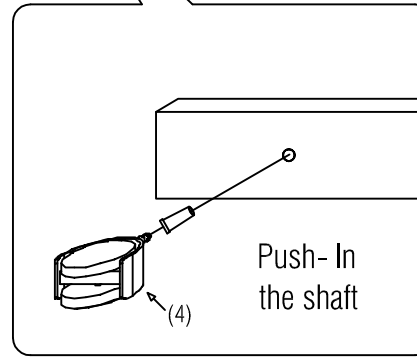
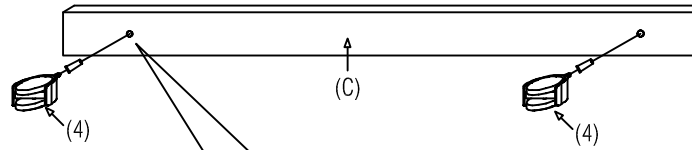


(D) Set of Slats x 1

### Hardware List

1.	M4 Allen Key		x 1
2.	JCBC M6 x 35mm		x 8
3.	CSK M4 x 25mm		x 22
4.	Roller		x 4

1 Insert the Roller (4) into the End Slats (C).



2 Attach the Slats(D) to the Front Panel (A) and Back Rail (B).

