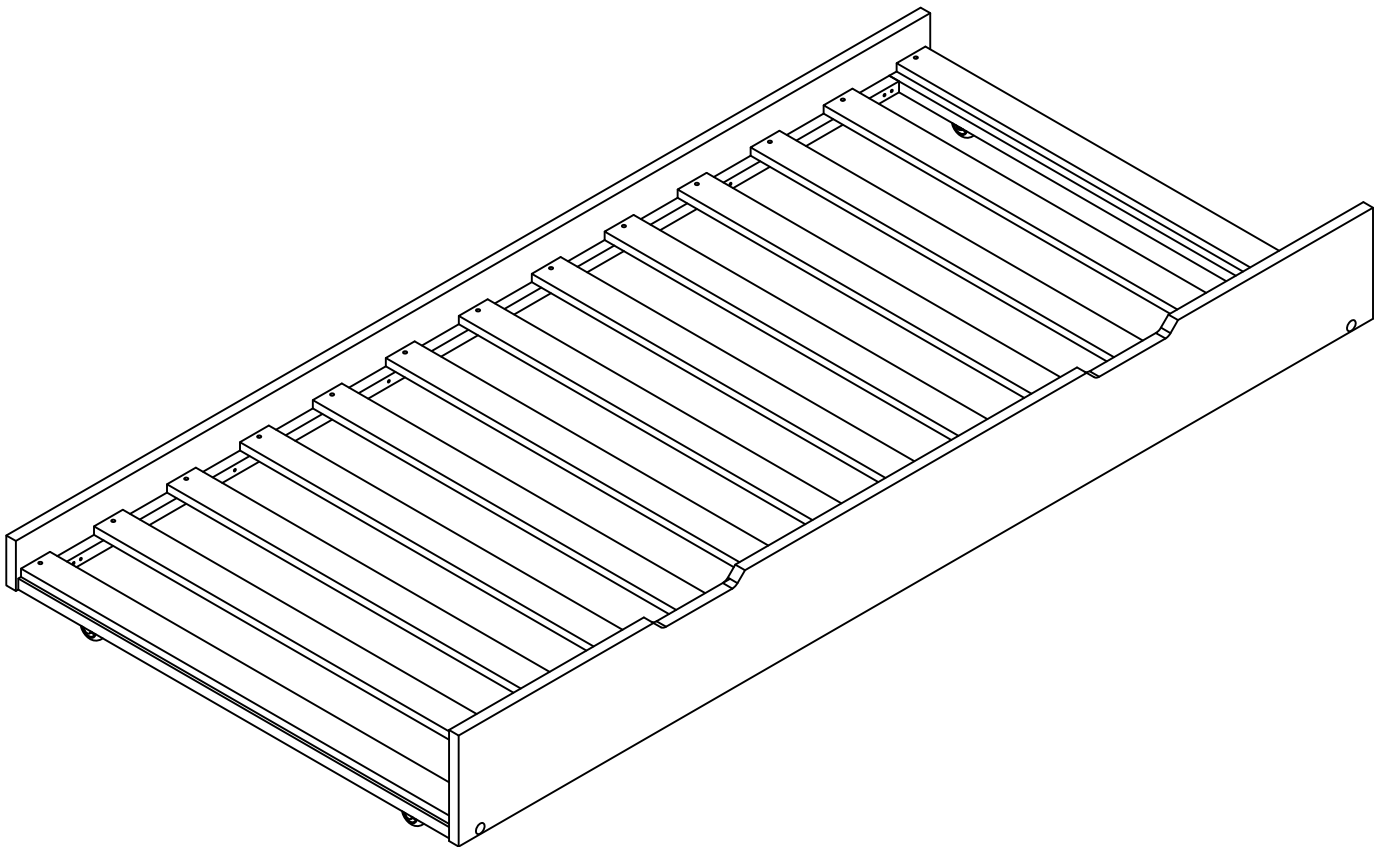
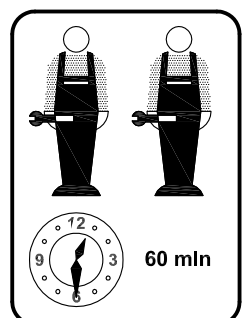


NEST Trundle

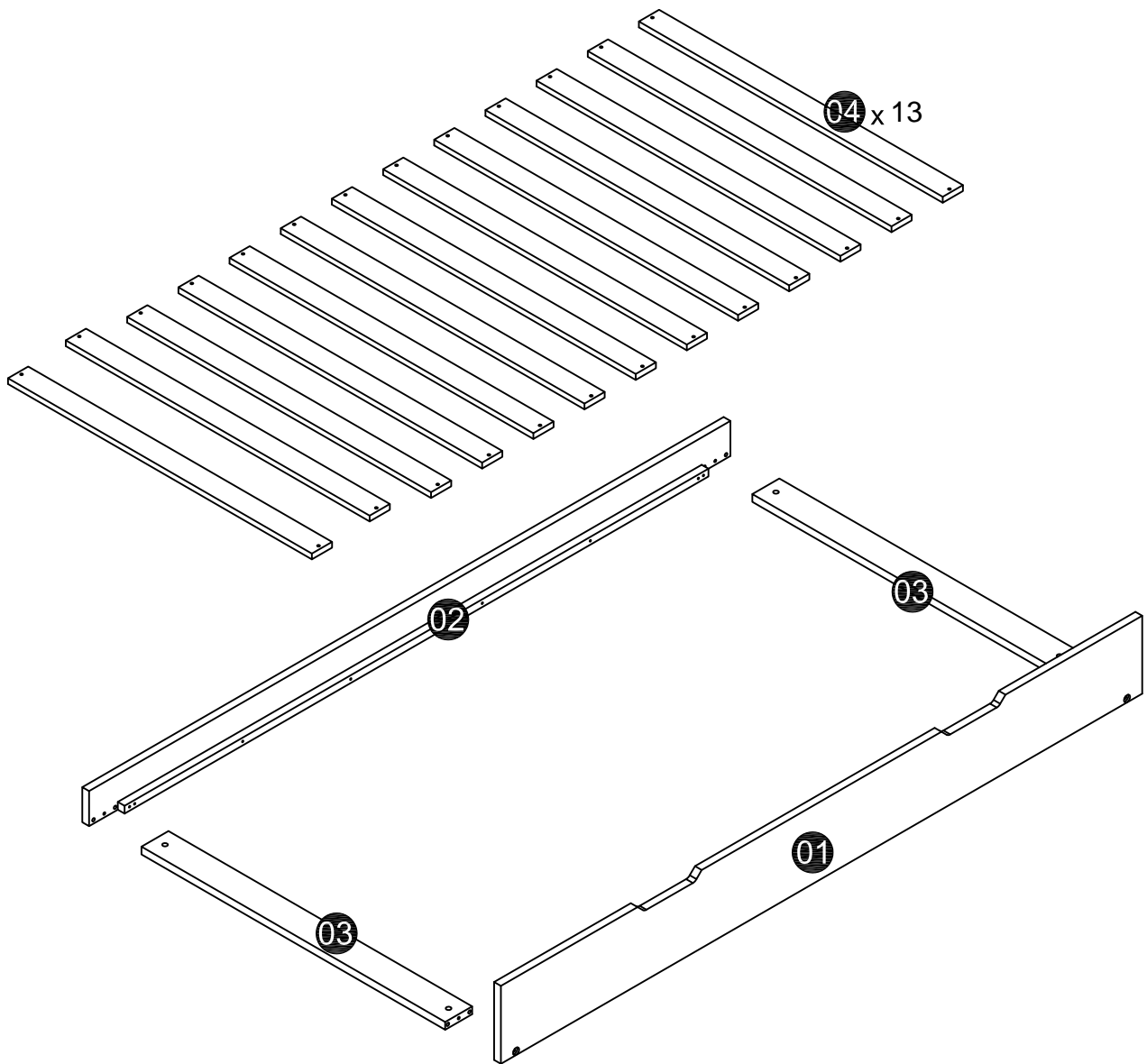


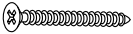
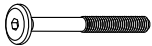


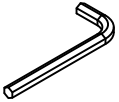
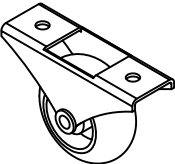
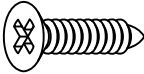

READ THE ASSEMBLY INSTRUCTIONS CAREFULLY. IDENTIFY THE ELEMENTS CONSTITUING YOUR PIECE OF FURNITURE. GROUP AND CHECK THE HARDWARE FITTINGS. GET THE TOOLS NEEDED. CLEAR SPACE TO WORK. PROCEED TO ASSEMBLE

NEVER FORCE THE FITTINGS. TIGHTEN THE SCREW AFTER USING FOR SOMETIME. KEEP YOUR ASSEMBLY INSTRUCTIONS, IT COULD HELP FOR BETTER COMMUNICATION WITH YOUR STORE. IN THE EVENT OF QUERY.



NEST Trundle

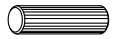


<p>A x 26</p>  <p>Ø4 x 30mm</p>	<p>B x 4</p>  <p>M6 x 60mm</p>	<p>C x 8</p>  <p>Ø8 x 30mm</p>	<p>D x 4</p> 	<p>E x 1</p> 
<p>F x 4</p> 	<p>G x 8</p> 	<p>H x 2</p> 		

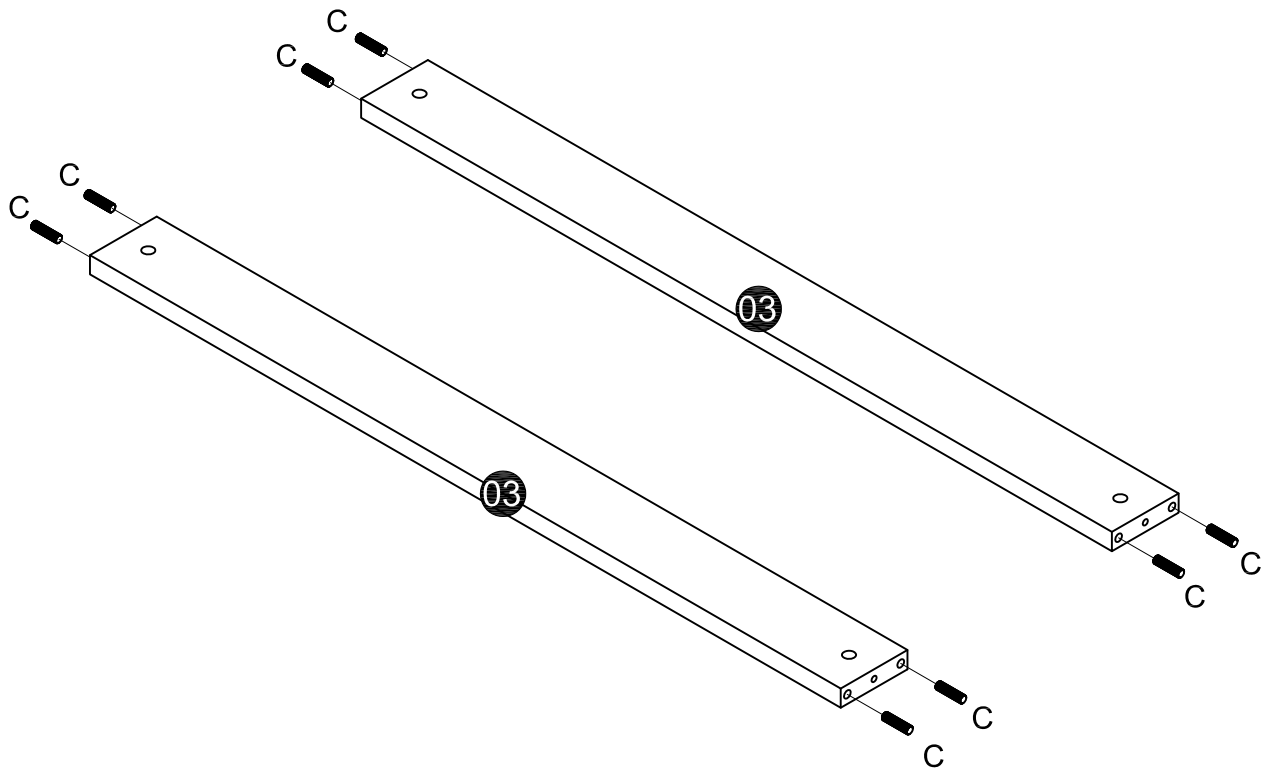
NEST Trundle

01

C x8



Ø8 x30mm



02

B x4



M6 x60mm

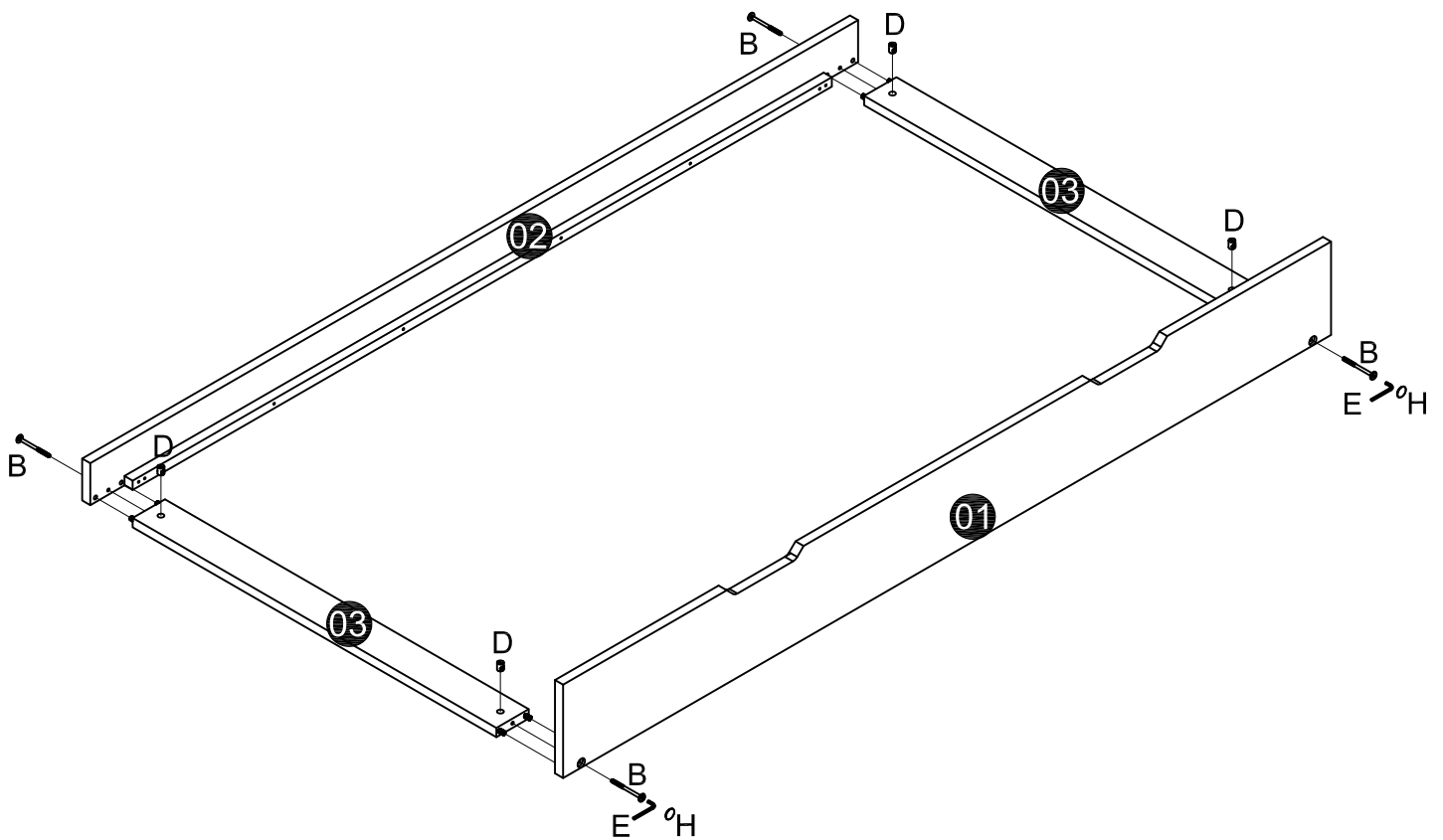
H x2



D x4



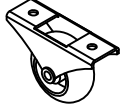
E x1



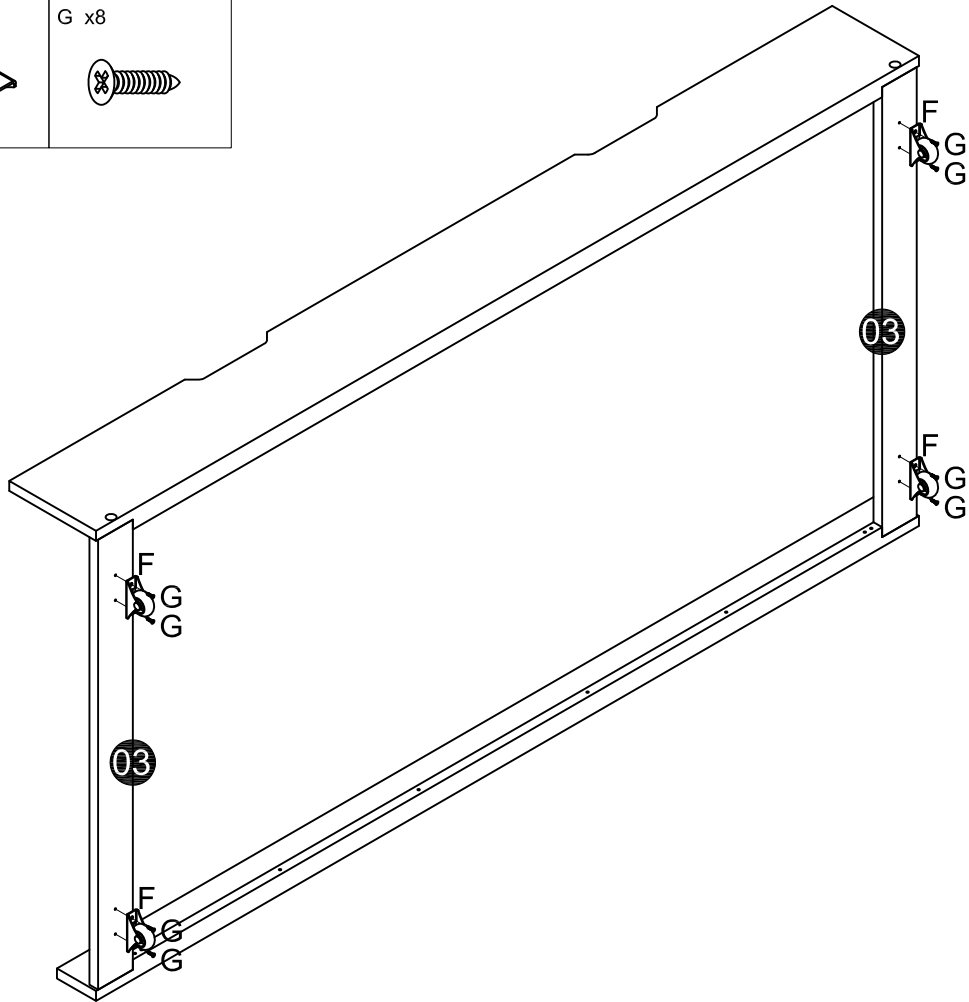
NEST Trundle

03

F x4



G x8



04

A x26



Ø4 x30mm

