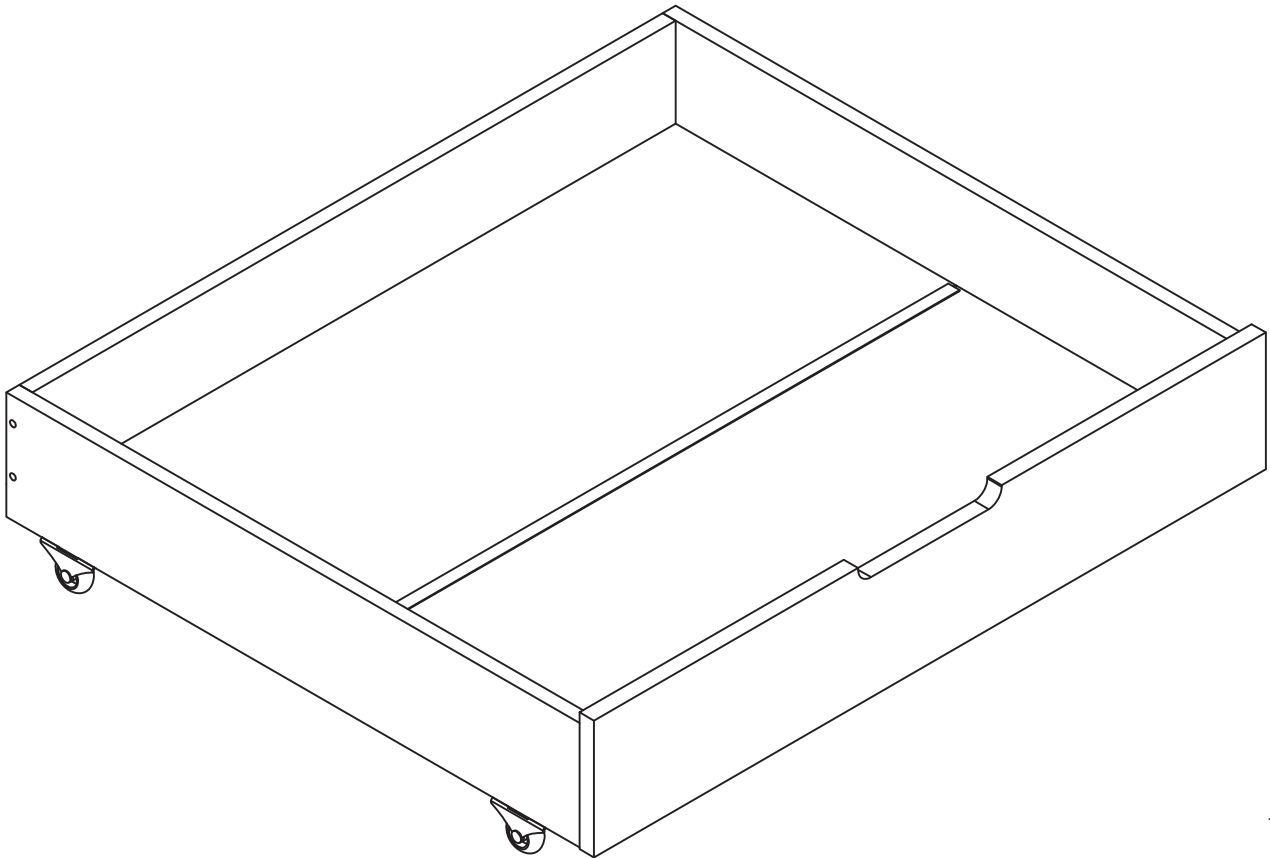
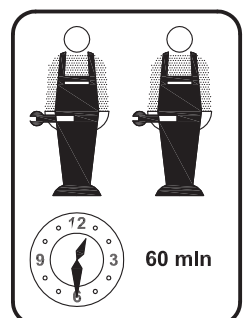


Nest Underbed Drawers

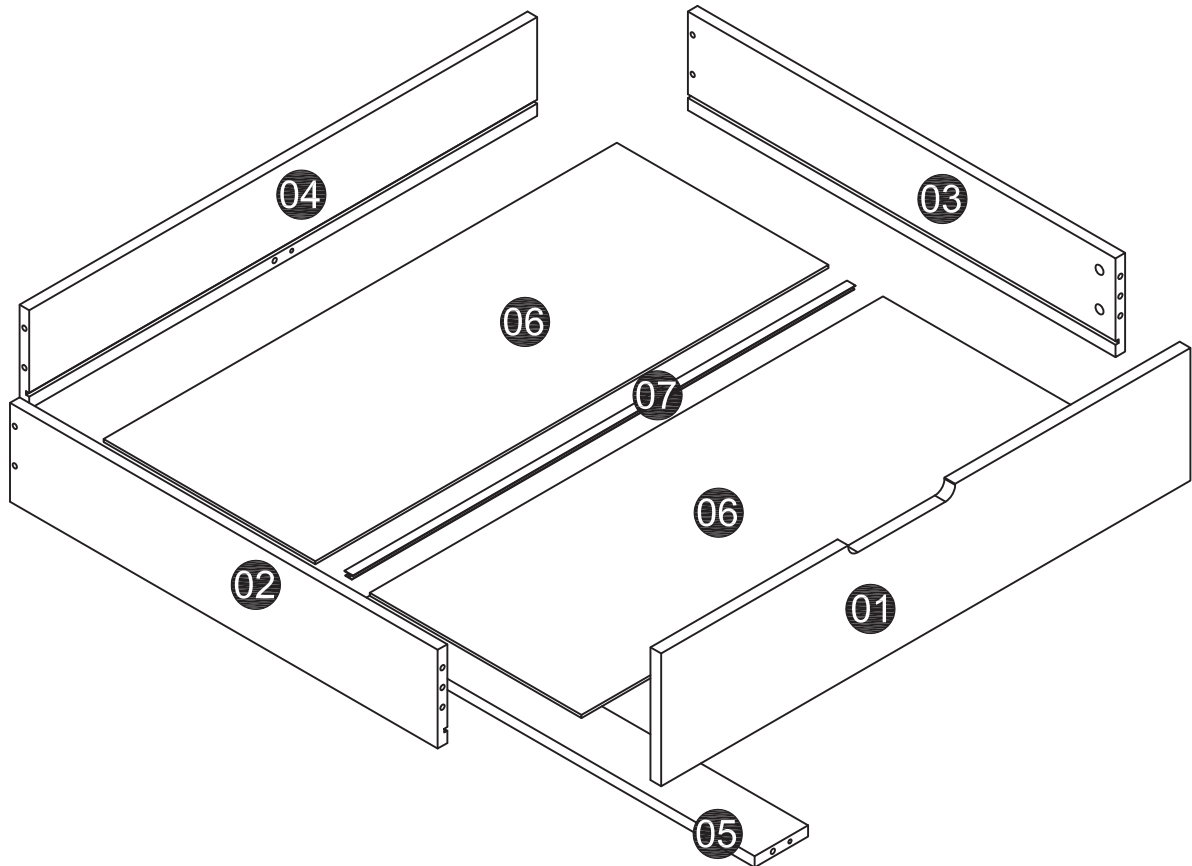
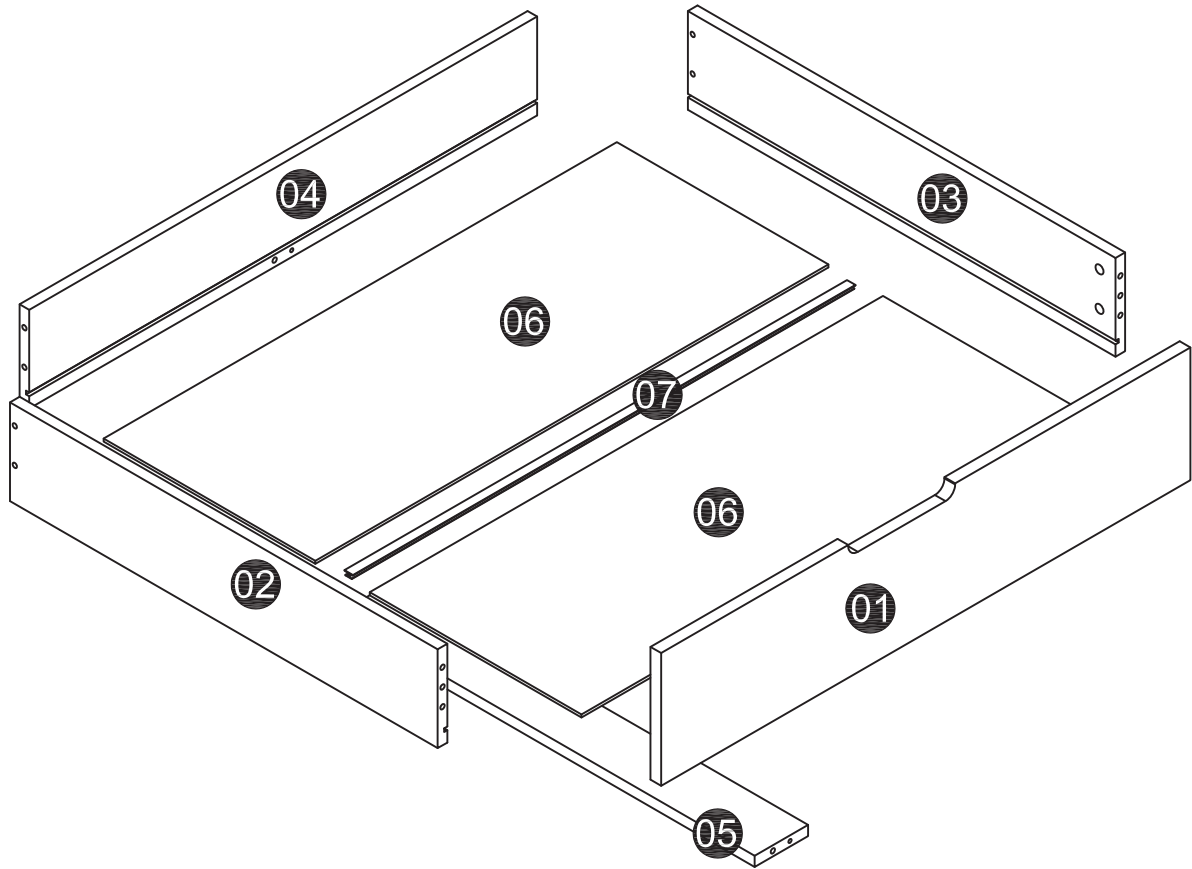


READ THE ASSEMBLY INSTRUCTIONS CAREFULLY. IDENTIFY THE ELEMENTS CONSTITUING YOUR PIECE OF FURNITURE. GROUP AND CHECK THE HARDWARE FITTINGS. GET THE TOOLS NEEDED. CLEAR SPACE TO WORK. PROCEED TO ASSEMBLE

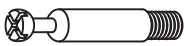


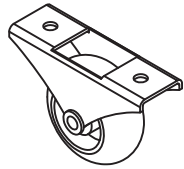


NEVER FORCE THE FITTINGS. TIGHTEN THE SCREW AFTER USING FOR SOMETIME. KEEP YOUR ASSEMBLY INSTRUCTIONS, IT COULD HELP FOR BETTER COMMUNICATION WITH YOUR STORE. IN THE EVENT OF QUERY.



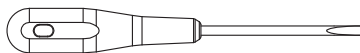
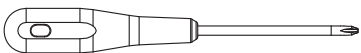
Nest Underbed Drawers
EXPLODED VIEW



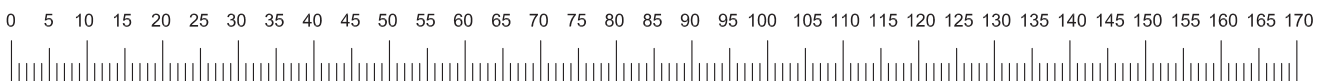
Nest Underbed Drawers
HARDWARE

<p>A x12</p> 	<p>B x12</p> 	<p>C x8</p>  <p>Ø8 x30mm</p>	<p>D x8</p> 	<p>E x16</p> 
<p>F x8</p>  <p>Ø4 x40mm</p>				

TOOLS



Ruler - Use this ruler to help correctly identify the screws



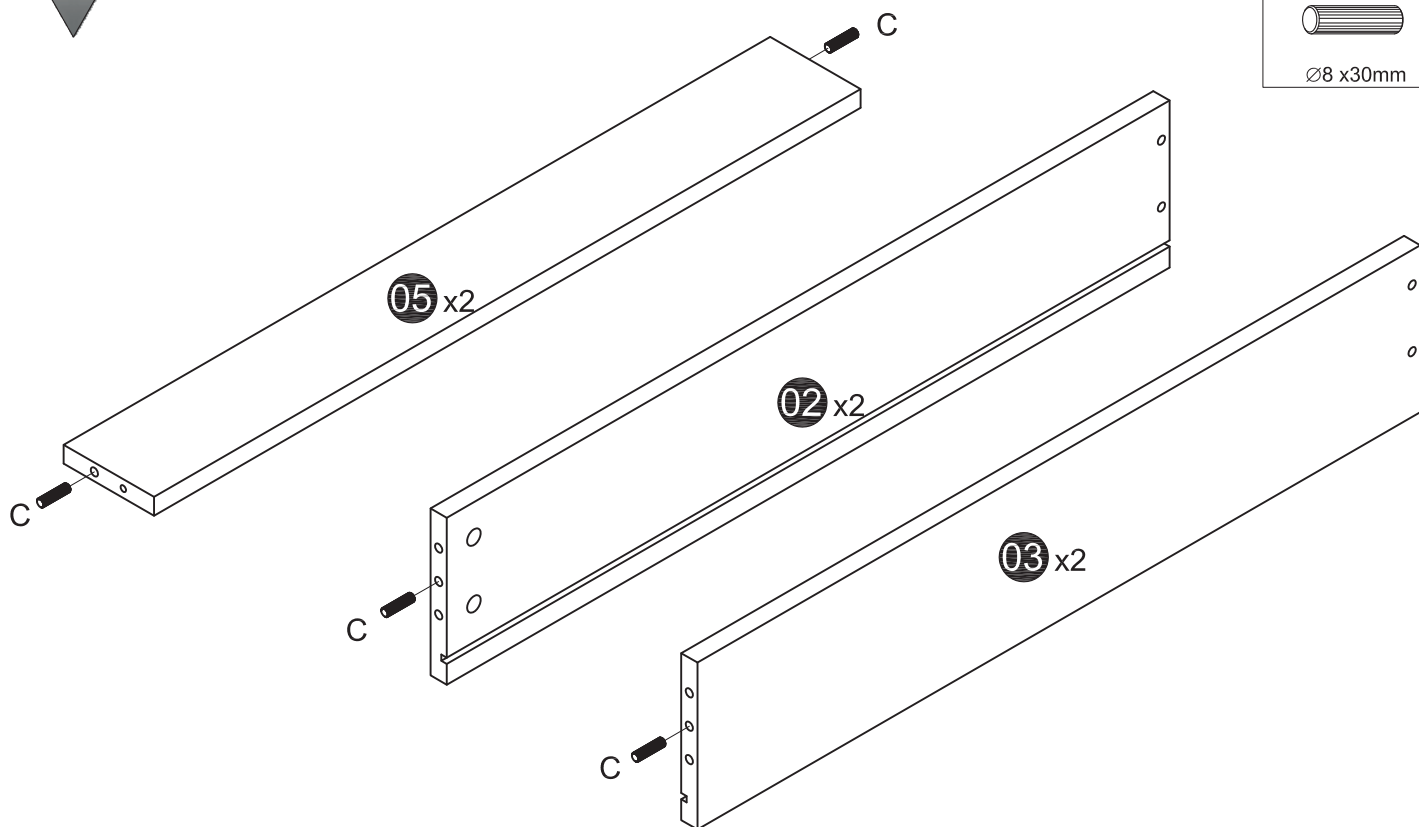
01

Nest Underbed Drawers

C x8

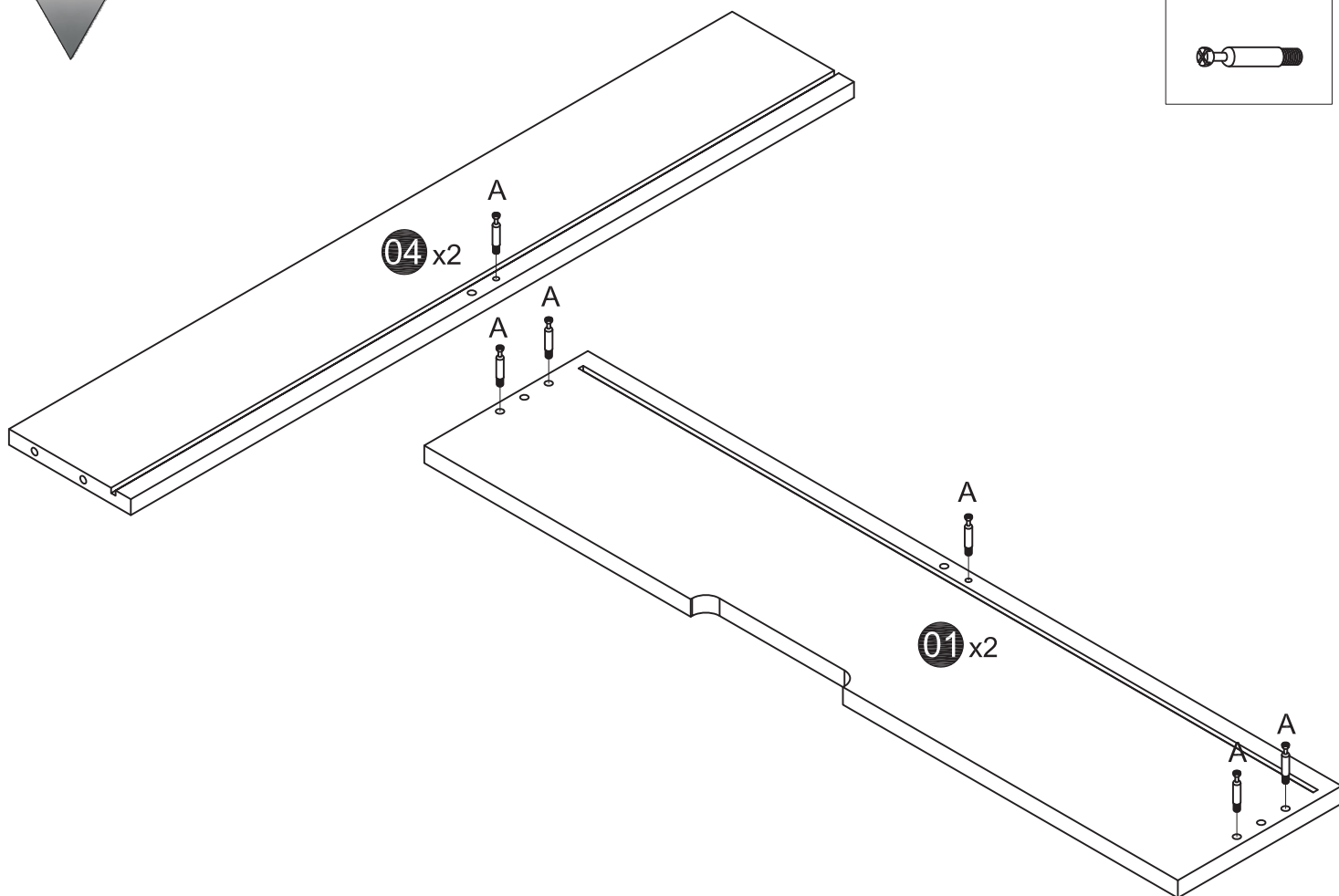
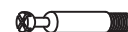


Ø8 x30mm



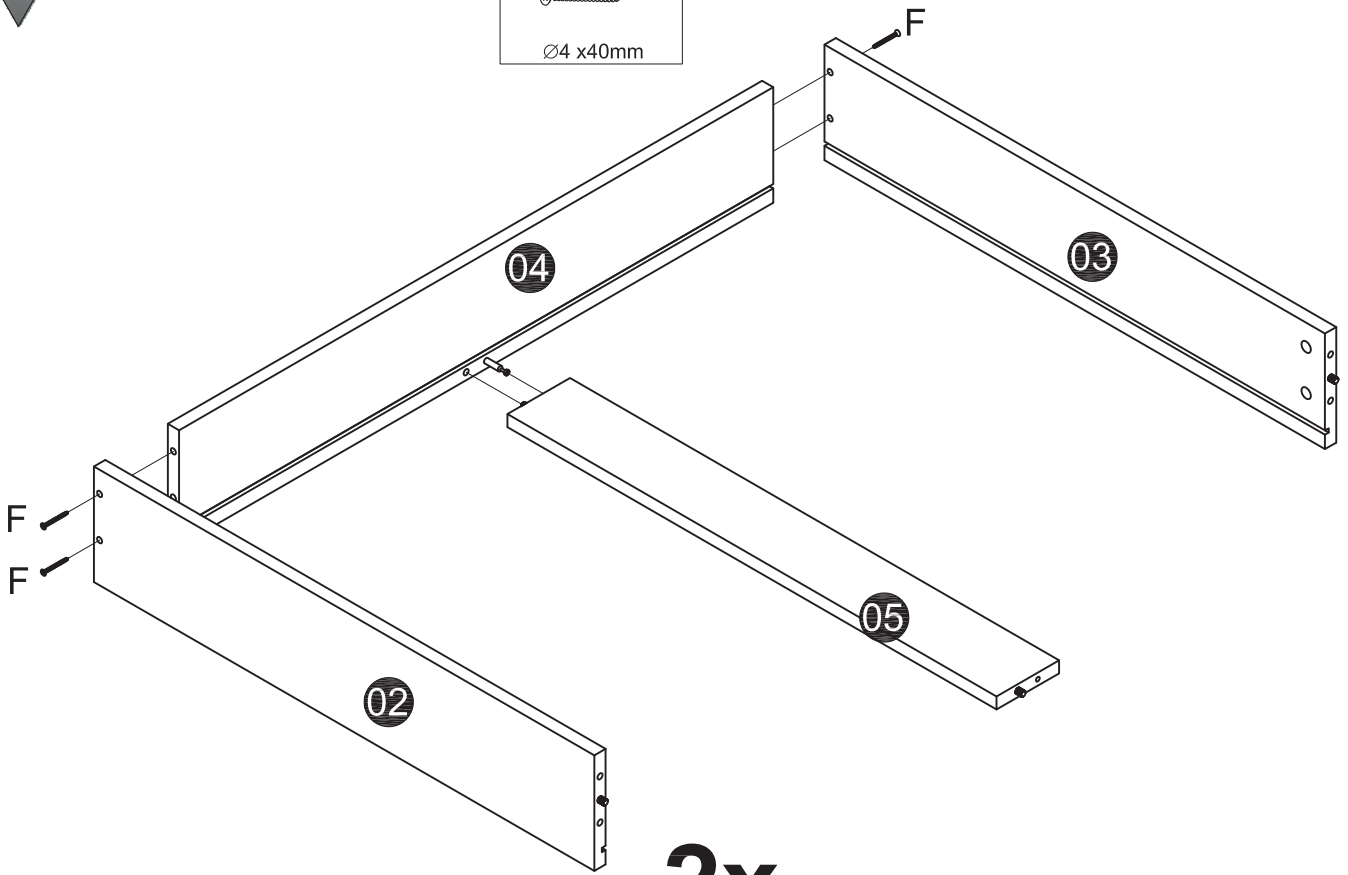
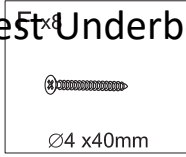
02

A x12



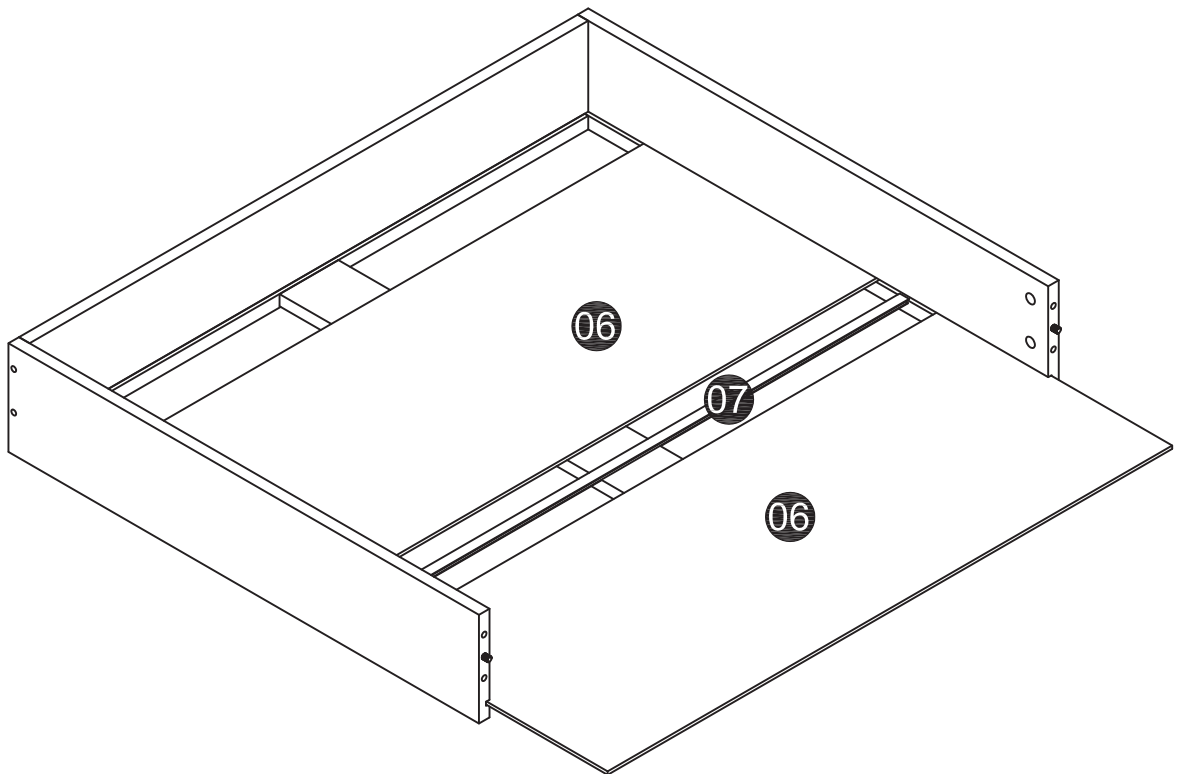
03

Nest Underbed Drawers



2x

04

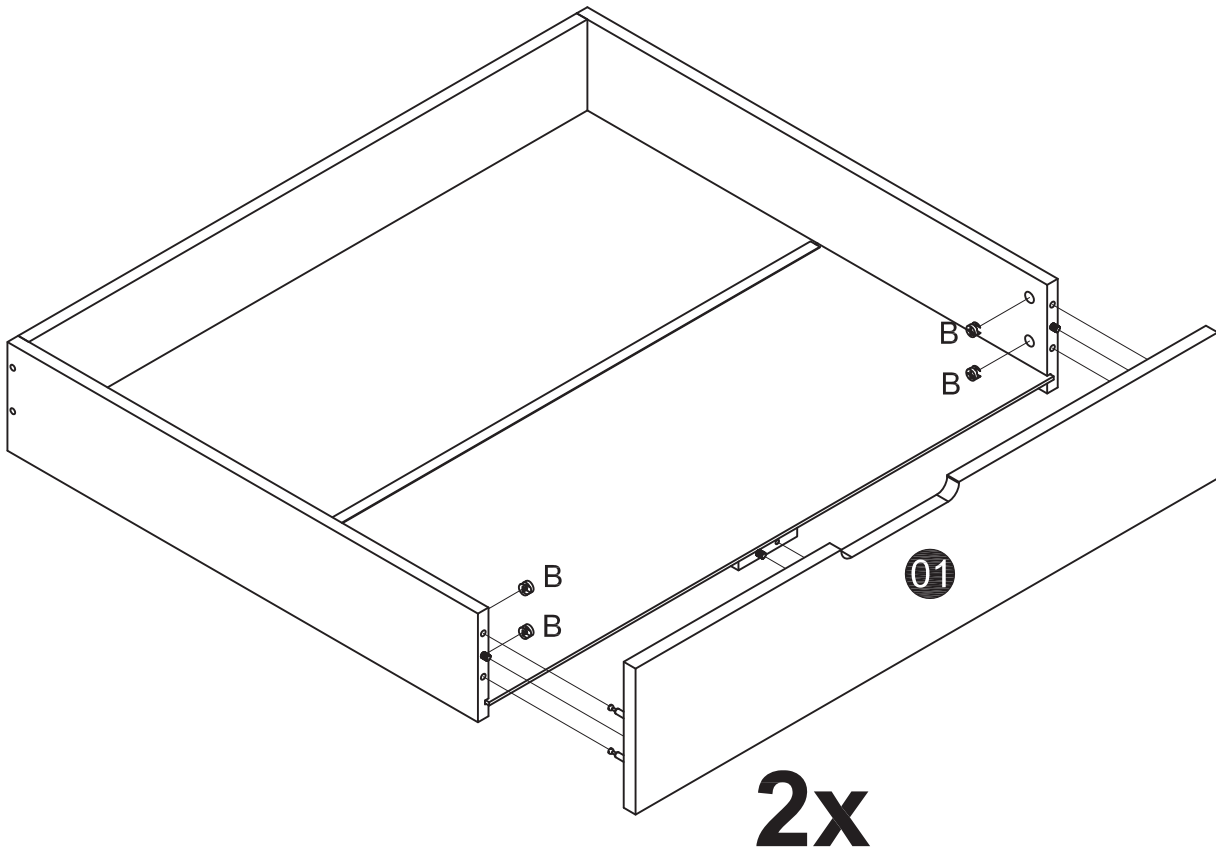


2x

05

Nest Underbed Drawers

B x8



06

