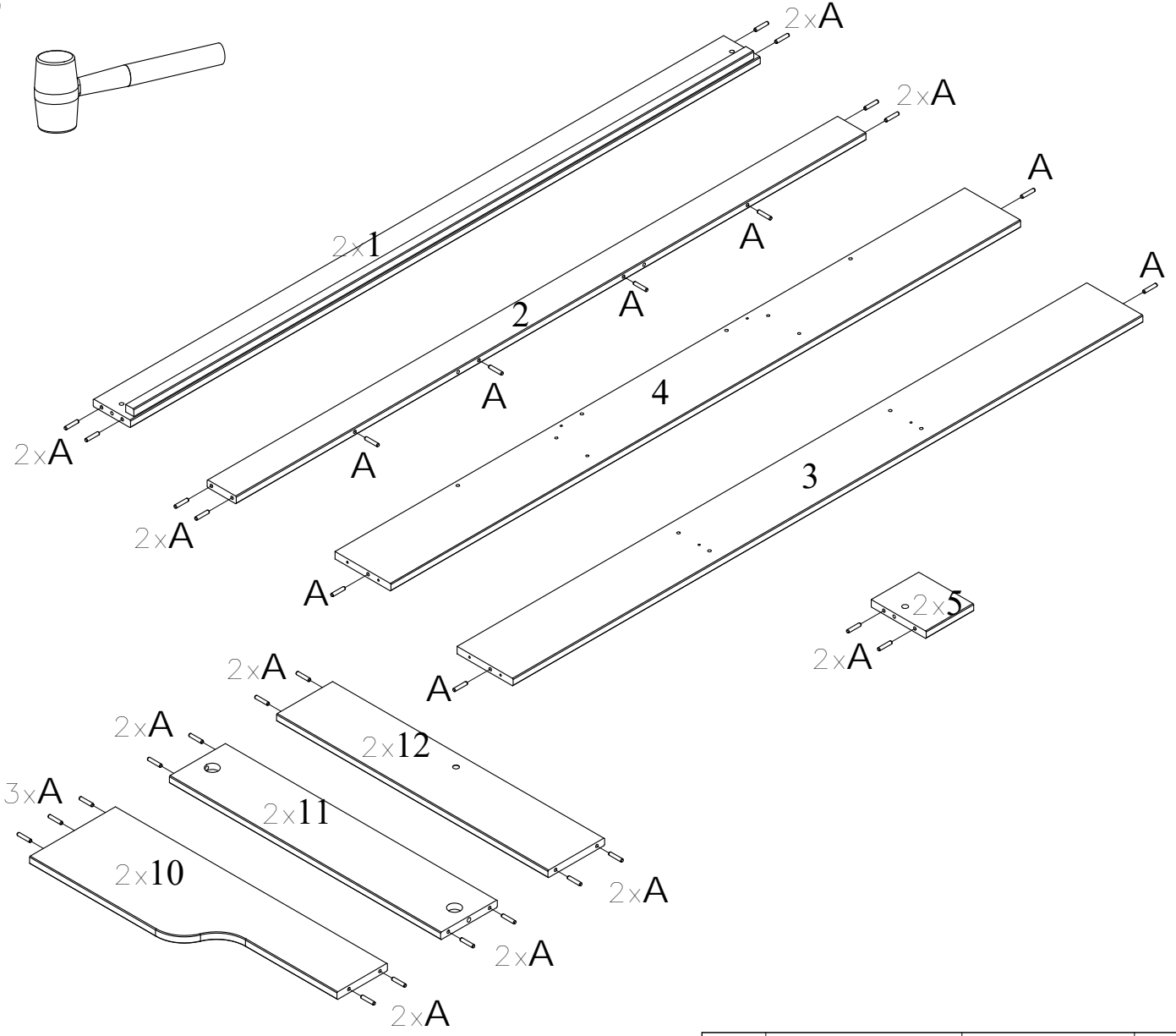


A		8x40	x50
B		7x50	x4
C		7x60	x12
D		D35	x4
E		7x34	x4
F		D15x12	x4
G		M6x60	x4

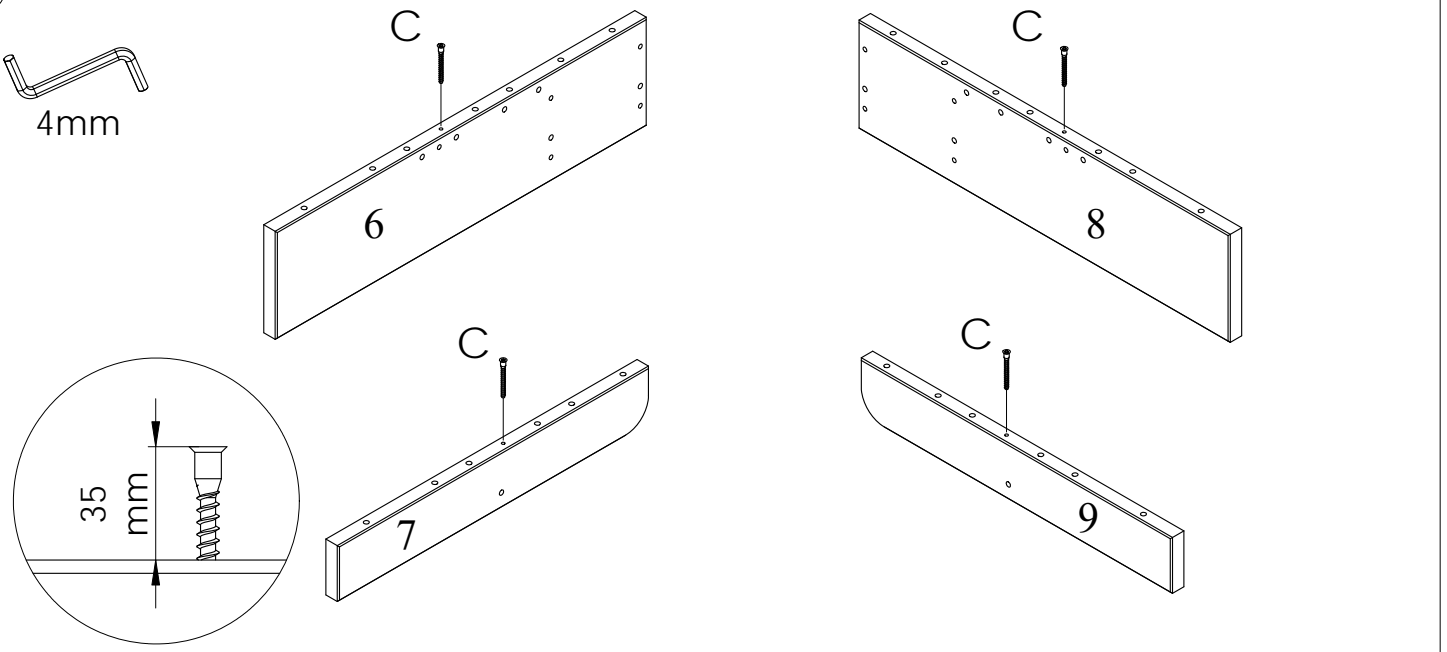
H		M6x10x13	x4
J		1,6x16	x25
K		3,5x40	x6
R		D4x13	x8
S		D15x18	x4
L		D24x3	x4
M		4mm	x1


①



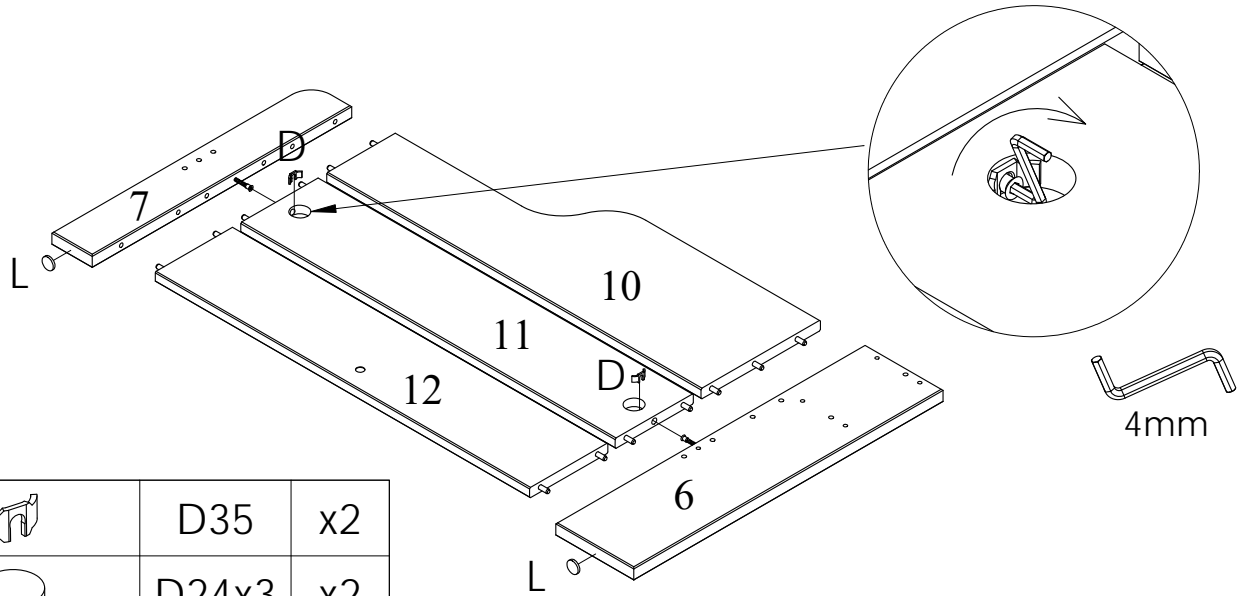
A		8x40	x50
---	---	------	-----

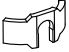

②



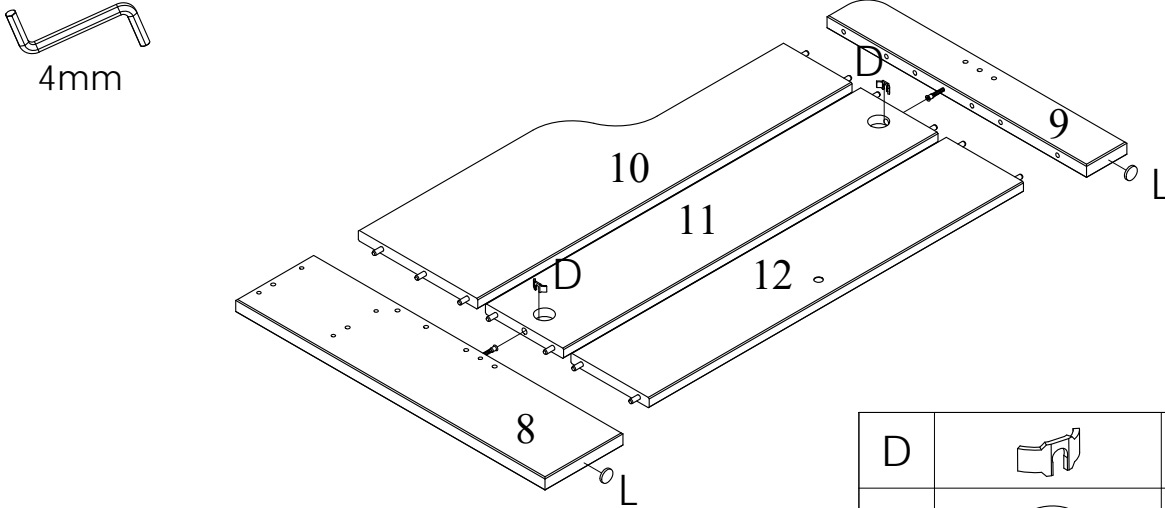
C		7x60	x4
---	---	------	----


3



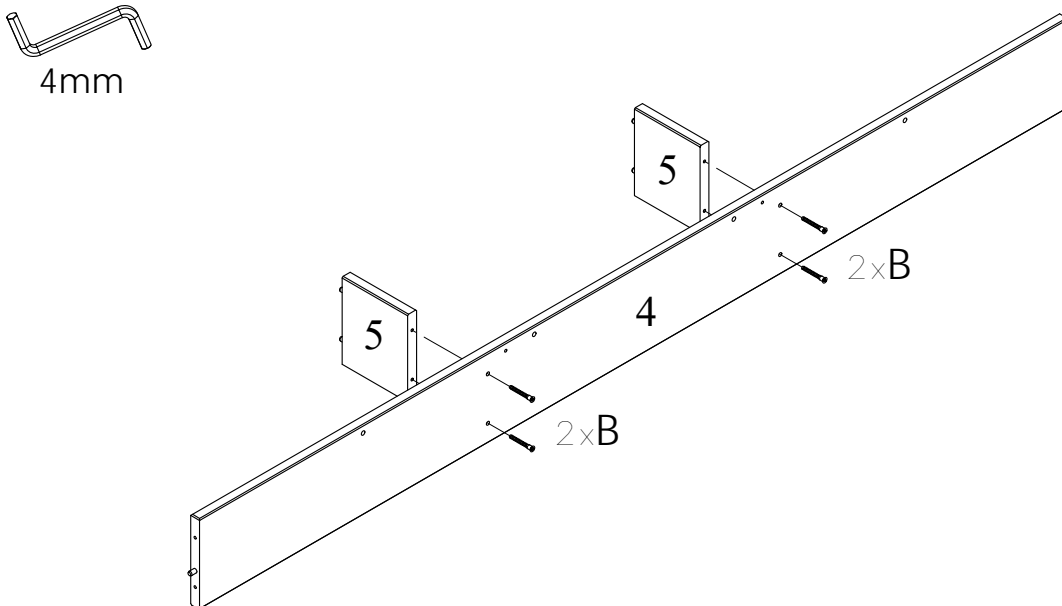
D		D35	x2
L		D24x3	x2


4



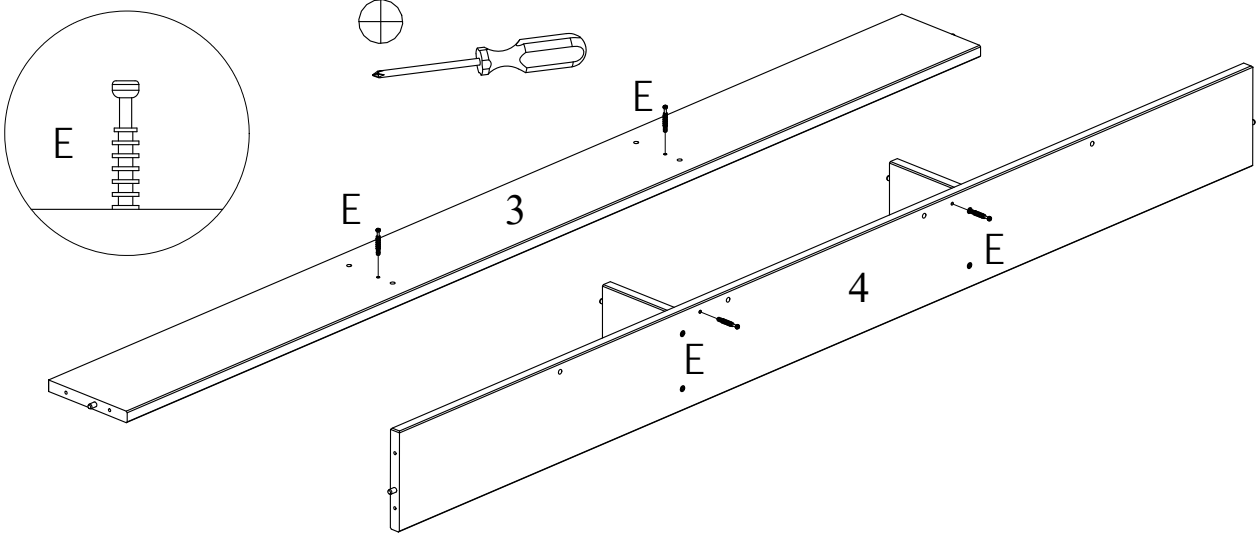
D		D35	x2
L		D24x3	x2

5



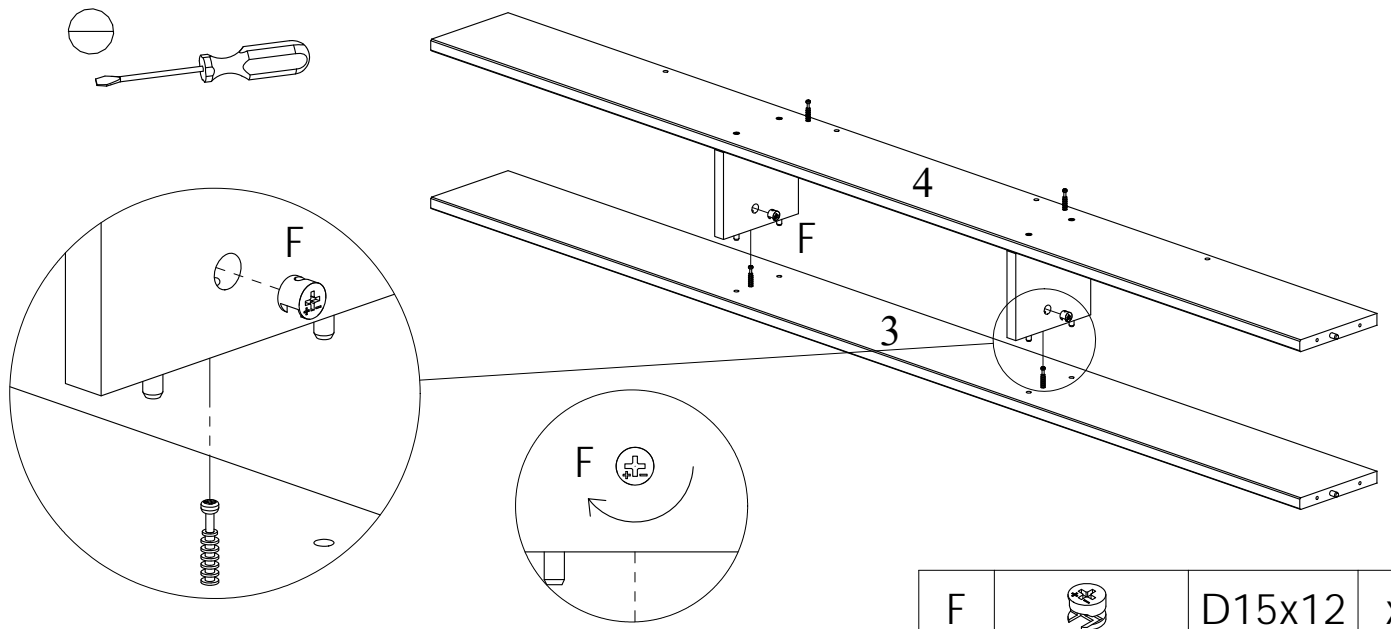
B		7x50	x4
---	---	------	----


6



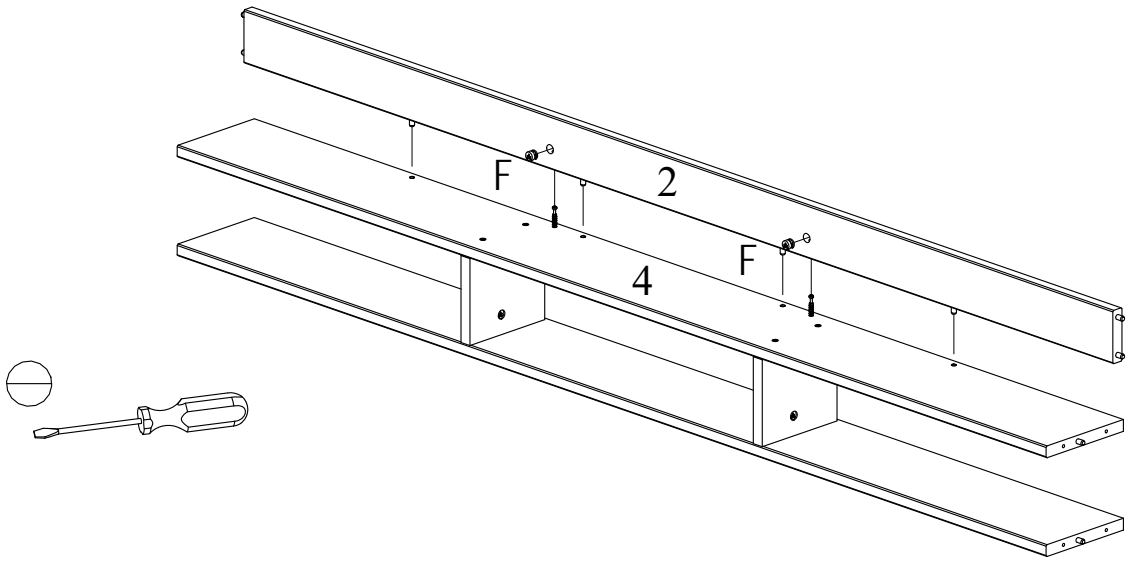
E		7x34	x4
---	---	------	----

7



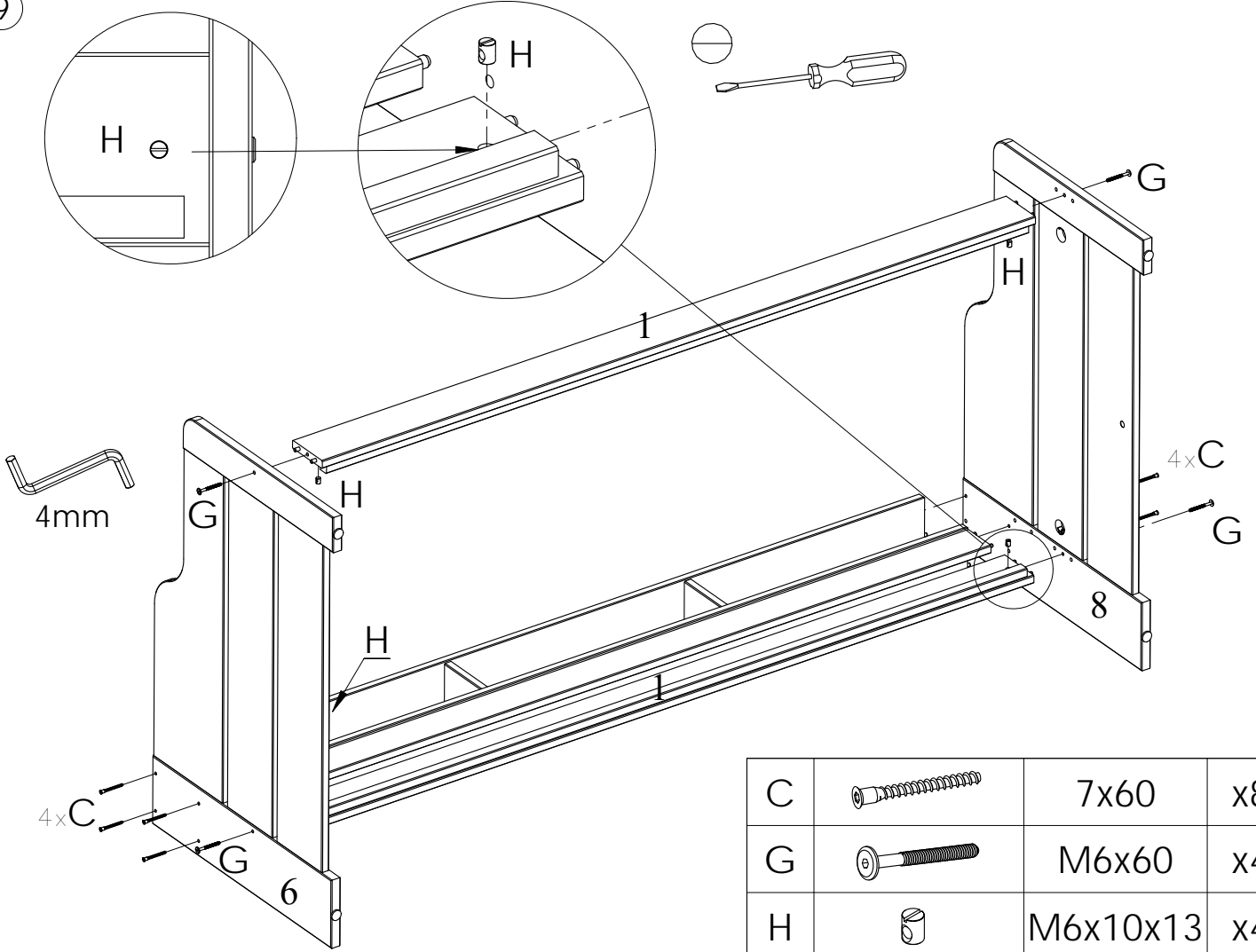
F		D15x12	x2
---	---	--------	----

8

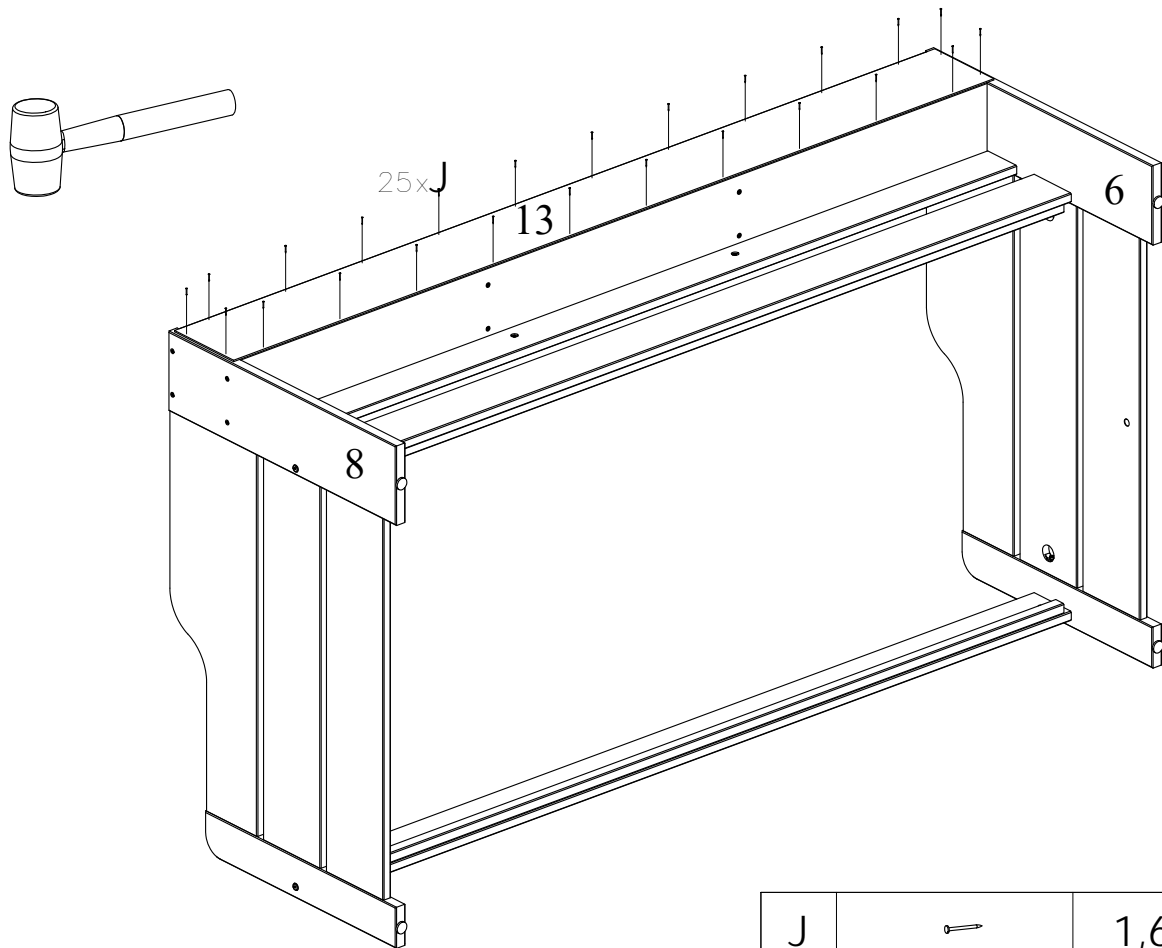


F		D15x12	x2
---	---	--------	----

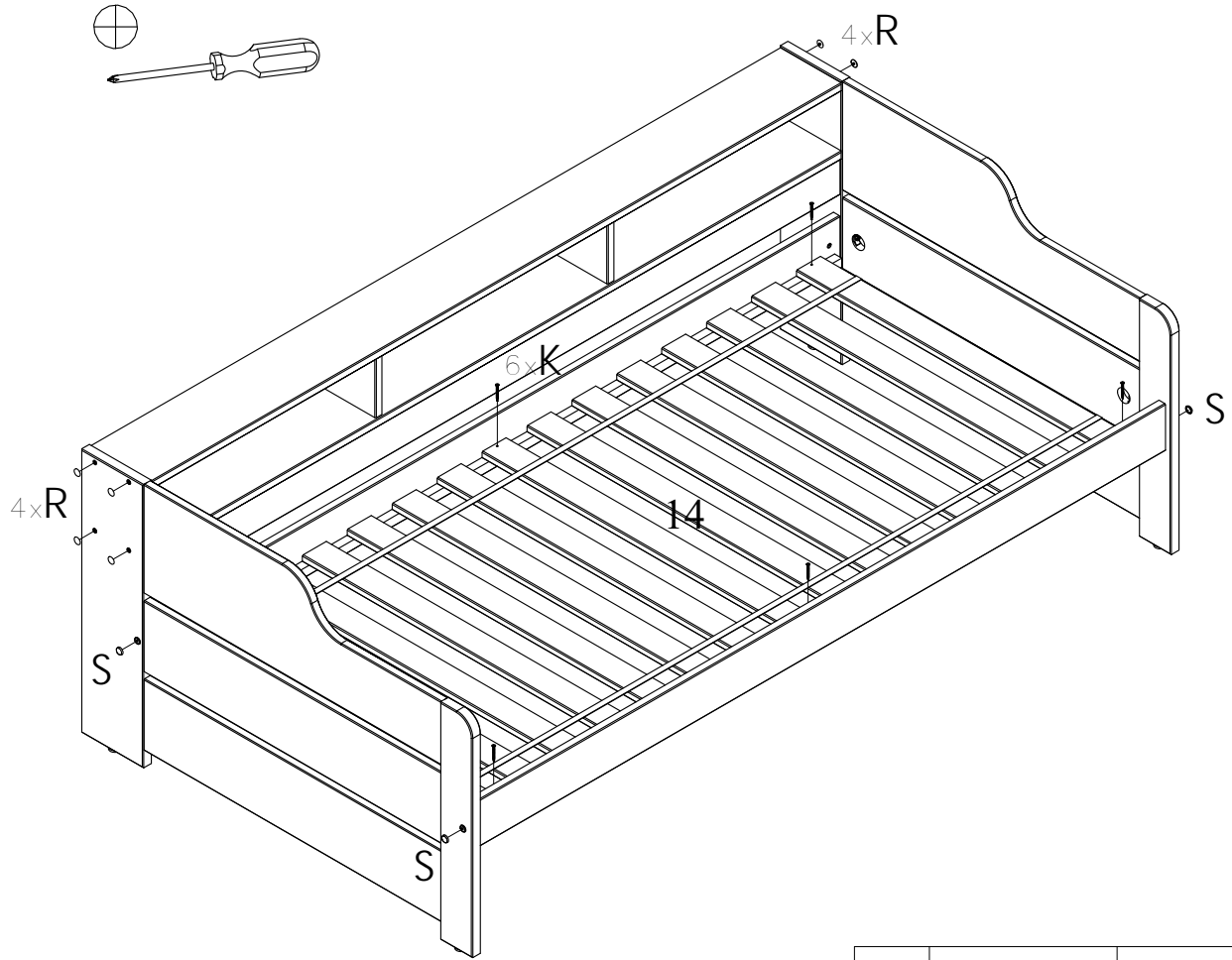
9






10



11



K		3,5x40	x6
R		D4x13	x8
S		D15x18	x4