

Assembly Instruction

WIZARD SINGLE BED (3') (#:FF26S3)

WIZARD SINGLE BED (3') (#:FF26S3G)

Important before assembly:

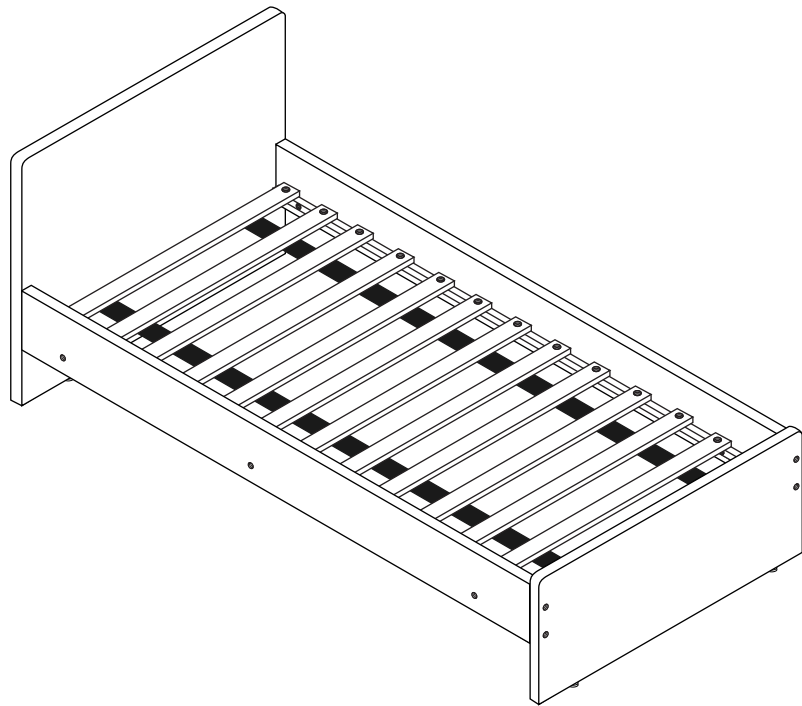
Thank you for purchasing this product. Please read through the instructions carefully before beginning assembly for this product. Before beginning assembly please check the contents of the boxes. These instructions will have a checklist for all of the parts and fittings required. To avoid damaging parts it is recommended to place a rug or carpet on the floor where it's final location to avoid having to move it. DO NOT use power tools as they may cause damage to the products.



* Approximately 30 Min



* 2 People Required




Ensure that you check regularly that all bolt are securely fastened and all components are in place.

If spare parts are required, contact your dealer. Do not use substitute part.


This instructions should be kept in a safe place for future reference.



Required tools



Philips Head Screwdriver



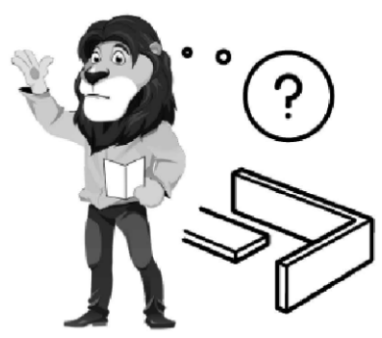
WARNING USING POWER TOOLS TO ASSEMBLE THIS BED IS STRONGLY UNADVISED AS IT MAY BE UNSAFE THE USE OF THESE WILL INVALIDATE ANY CLAIM.



Some parts of this product may be heavy. Please use another person to assist you with lifting.



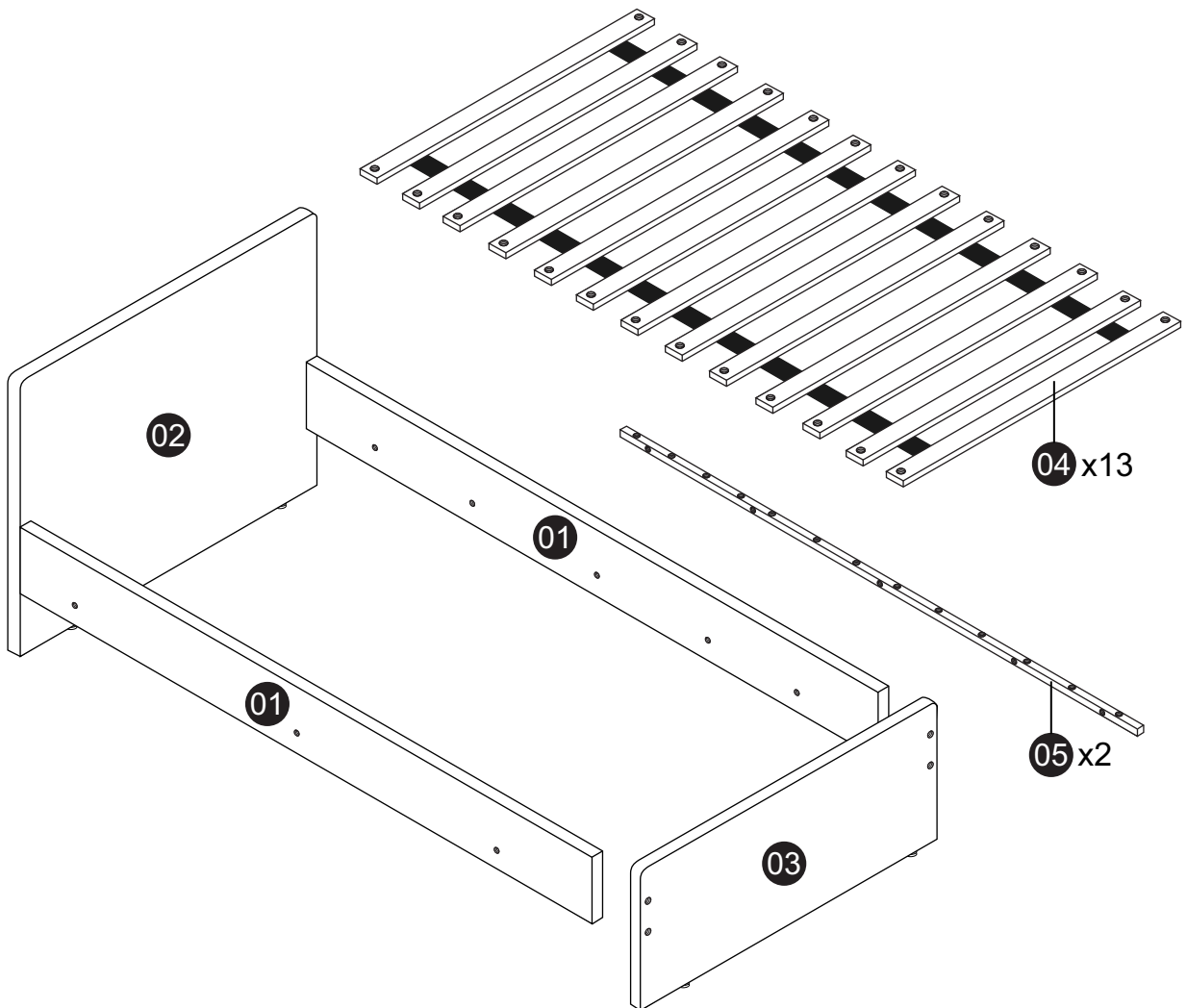
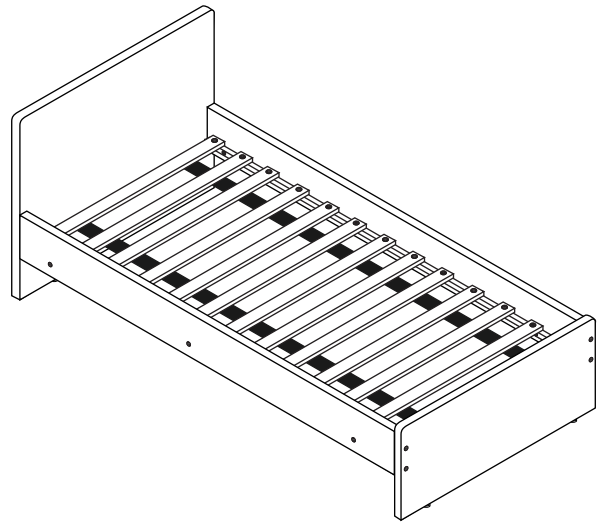
Dragging or pushing pieces of this bed across a hard floor can cause damage to the parts and joints. Please use a rug or carpet to prevent this.



If you have problems assembling or have damaged or missing pieces, please contact us at orders@flairbeds.co.uk



* 2 People Required



PARTS LIST







Carton 1 of 2:

Part	Description	Qty
02	HEADBOARD PANEL	1
03	FOOTBOARD PANEL	1
04	LVL BASE	13
	HARDWARE LIST	

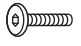


Carton 2 of 2:

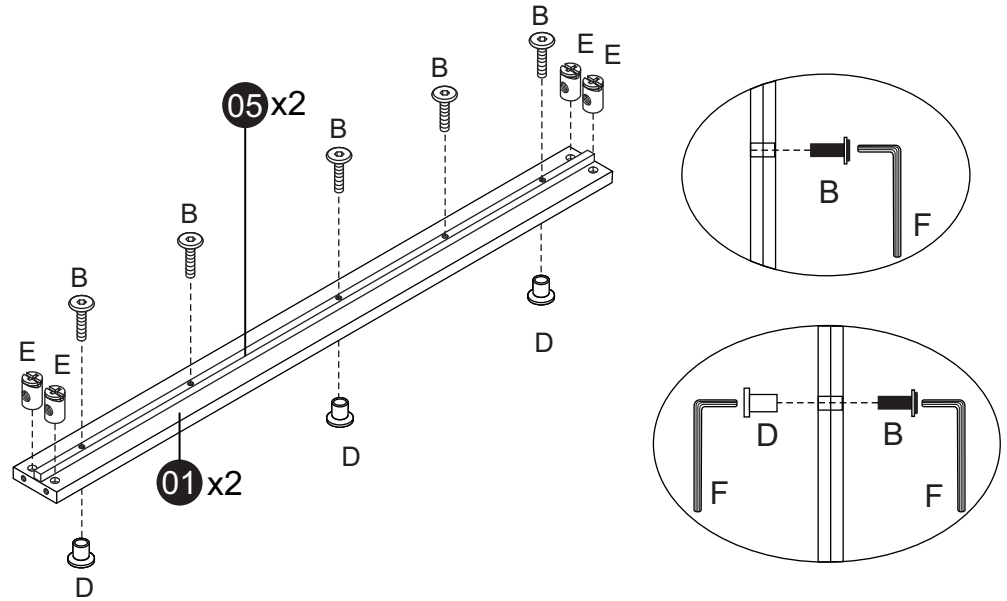
Part	Description	Qty
01	SIDE PANEL LEFT & RIGHT	2
05	METAL SUPPORT	2

HARDWARE LIST: Carton 1 of 1

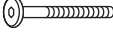
Part	Description	Qty
A	M6 x 50mm Allen Bolt 	8
B	M6 x 35mm Allen Bolt 	10
C	M6 x 30mm Allen Bolt 	26
D	M6 JCN Nut 	6
E	M6 x 13mm Baller 	8
F	M6 Allen Wrench 	2

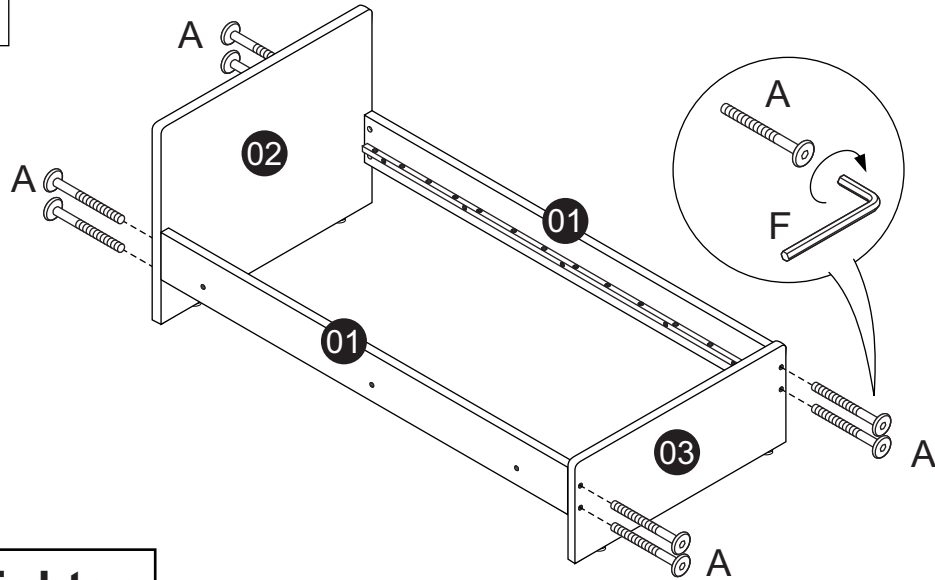
1

B		10
D		6
E		8




2

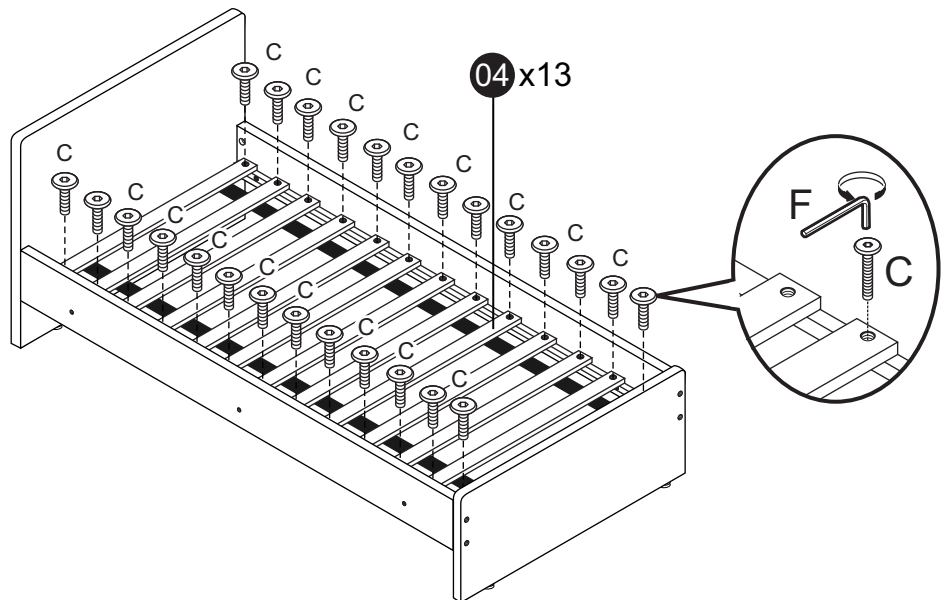
A		8
---	---	---

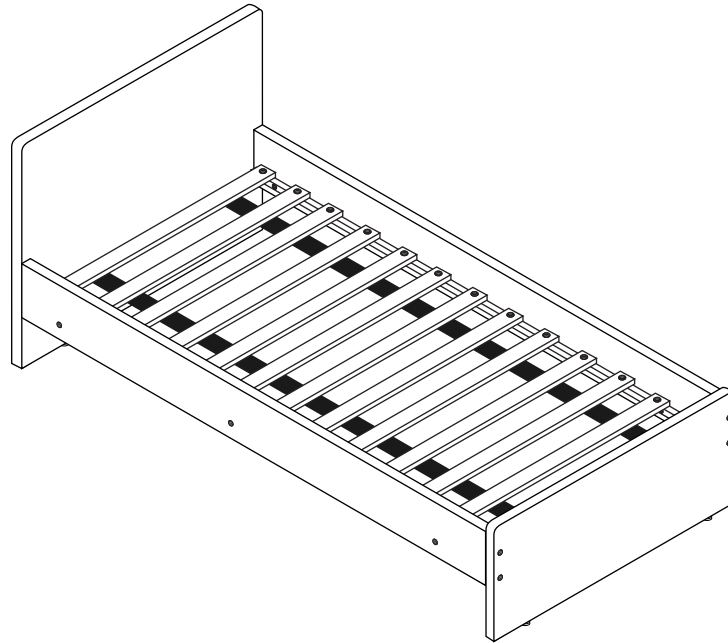


Do Not Over Tighten

3

C		26
---	---	----





Please dispose of packaging safely and responsibly.

Care & Maintenance Of Your Product

Gently wipe clean with a slightly damp cloth.
Household cleaners and abrasives can cause damage to the product.

Tighten all screws periodically to guarantee they are secure.
To move the product lift it into place. Pushing or dragging the product across a floor will cause damage to it. If the product is assembled on a hard floor, it is advised to place protection under the legs to prevent the product from moving. If these guidelines are not followed it may invalidate the warranty.

Notes

This product has been designed to be as easy to assemble as possible. In the event that you run into issues putting the bed together or have damaged / missing pieces, please contact us at:

orders@flairbeds.co.uk

or

01924 950955

Flair
furnishings