

A		8x40	x8
B		10x40	x34
C		7x60	x6
D		D35	x6
E		7x34	x8
F		15x12	x8
G		M6x60	x6
H		M6x10x13	x6
J		3,5x16	x1
K		4x20	x1

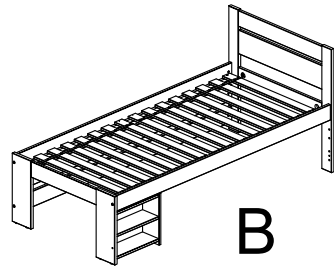
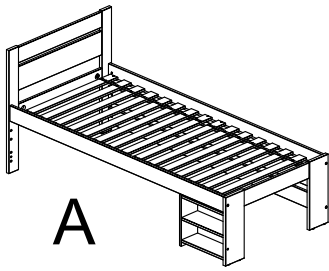
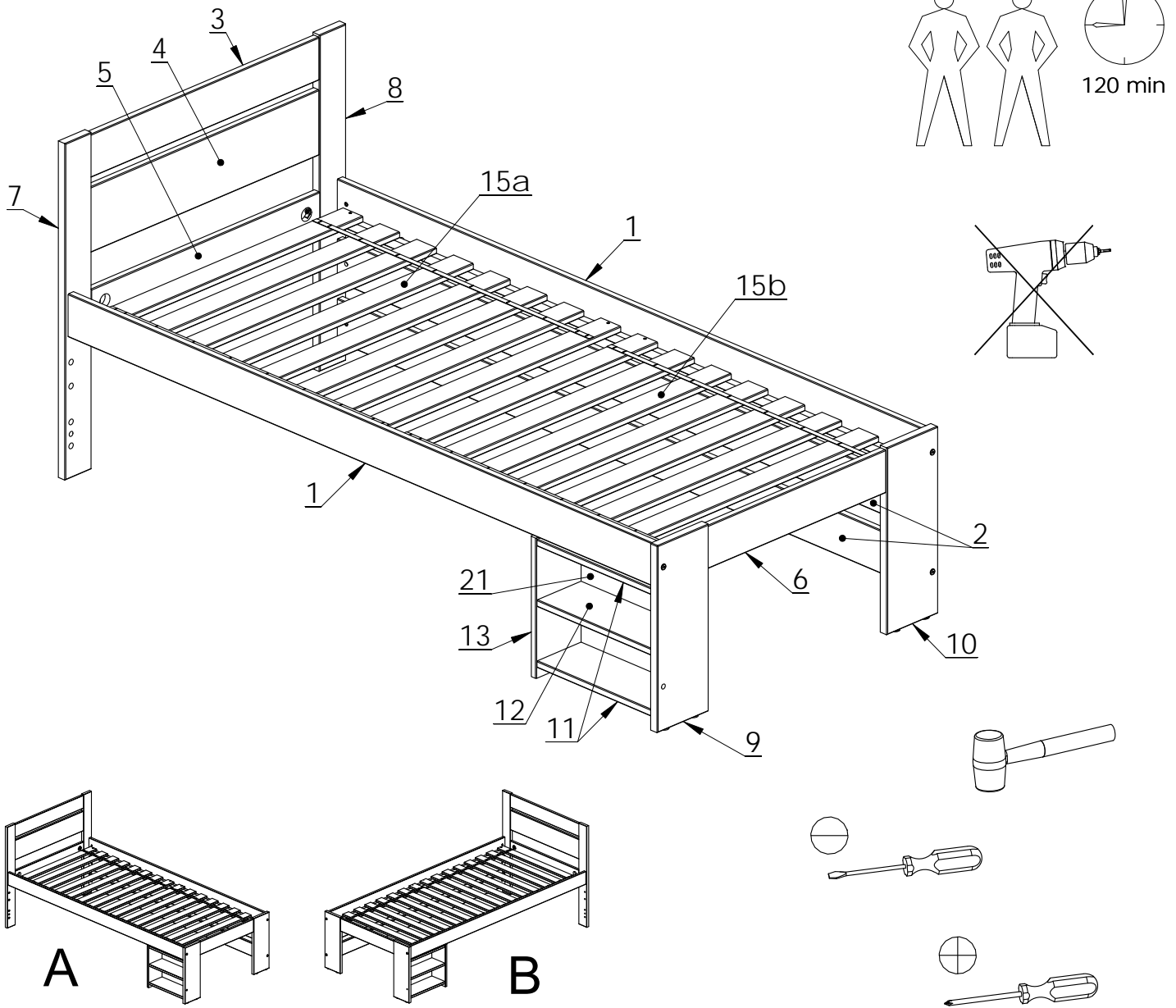
L		3,5x40	x8
M		28x17x15	x1
N		D12x18	x1
P		1,2x20	x9
Q		D25x4	x6
R		D35x9	x2
S		D8x13	x4
T		D10x15	x8
U		D15x18	x6
V		4mm	x1

A		8x40	x8
E		7x34	x8
F		15x12	x8
X		D26	x4

J		3,5x16	x8
P		1,2x20	x12
Y		D5x16	x4

A		8x40	x8
E		7x34	x8
F		15x12	x8
X		D26	x8

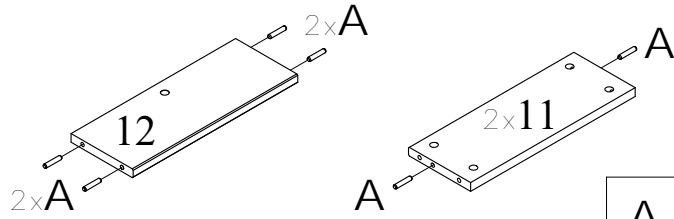
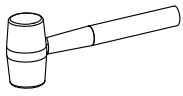
J		3,5x16	x16
L		3,5x40	x8
M		28x17x15	x2
K		4x20	x2



A		8x40	x8
B		10x40	x34
C		7x60	x6
D		D35	x6
E		7x34	x8
F		15x12	x8
G		M6x60	x6
H		M6x10x13	x6
J		3,5x16	x1
K		4x20	x1

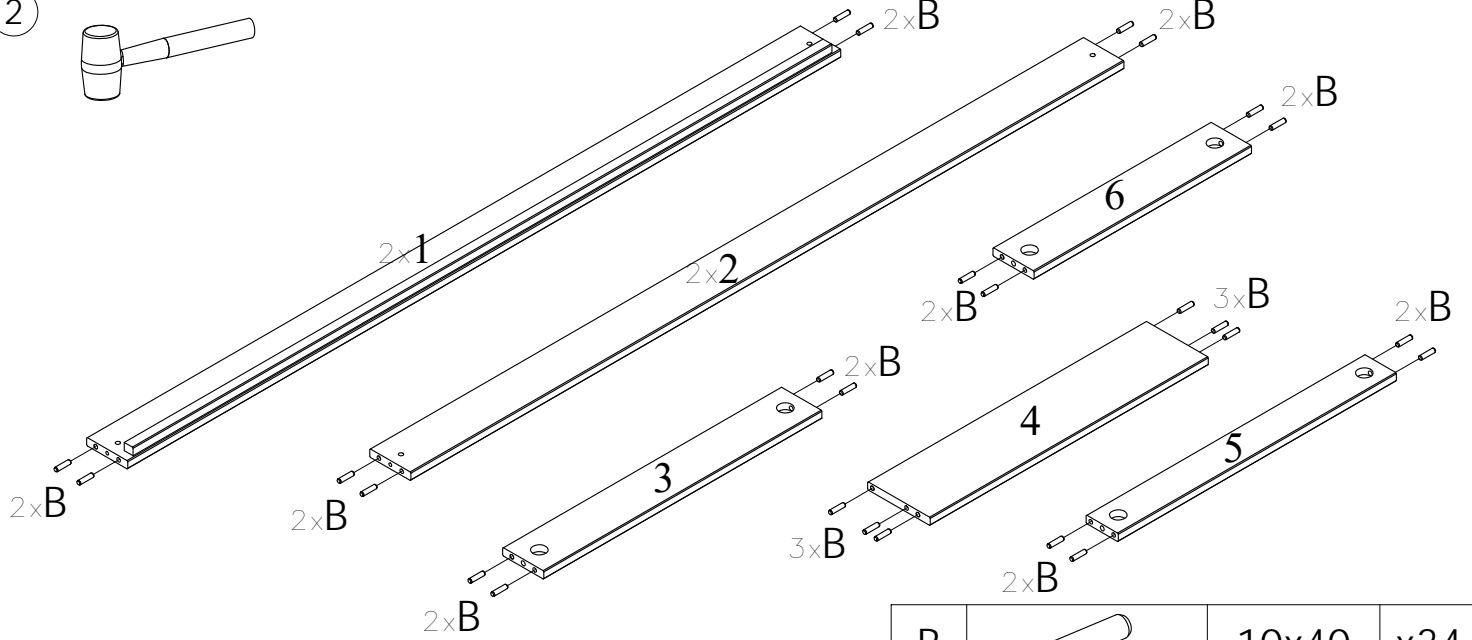
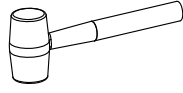
L		3,5x40	x8
M		28x17x15	x1
N		D12x18	x1
P		1,2x20	x9
Q		D25x4	x6
R		D35x9	x2
S		D8x13	x4
T		D10x15	x8
U		D15x18	x6
V		4mm	x1

①



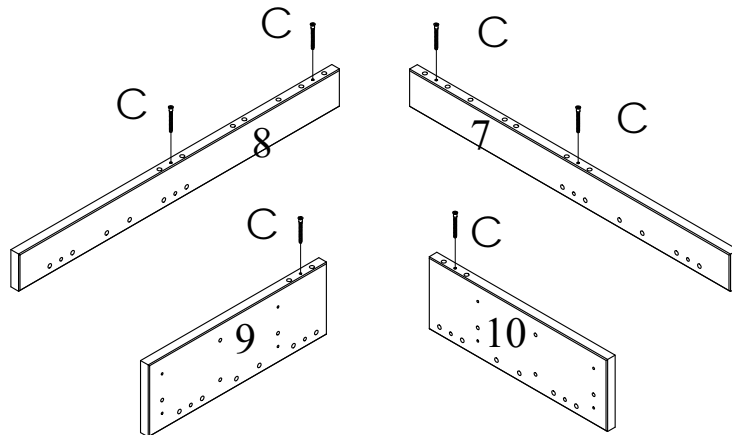
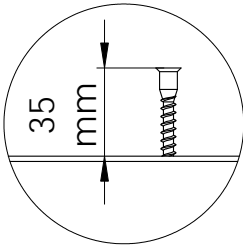
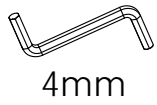
A		8x40	x8
---	--	------	----

②



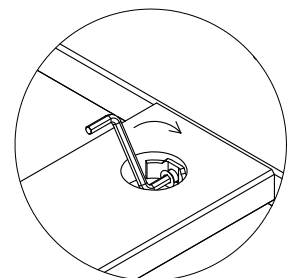
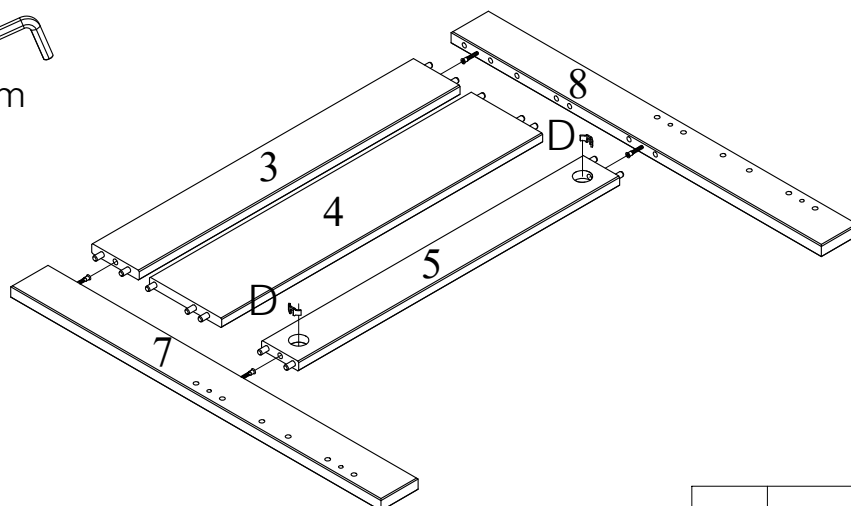
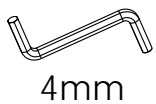
B		10x40	x34
---	--	-------	-----

③



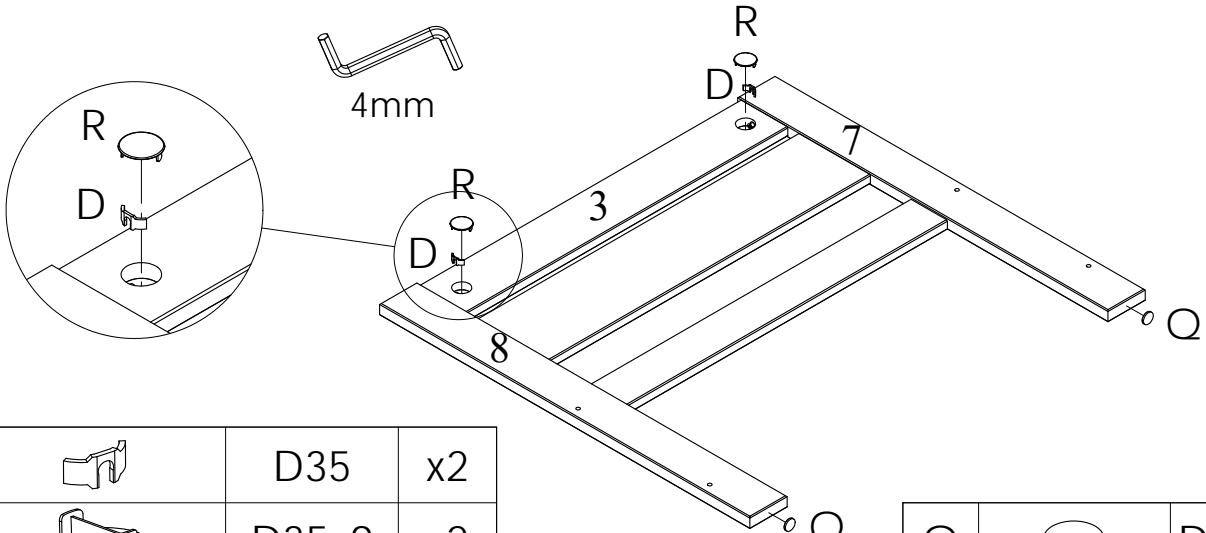
C		7x60	x6
---	--	------	----

④



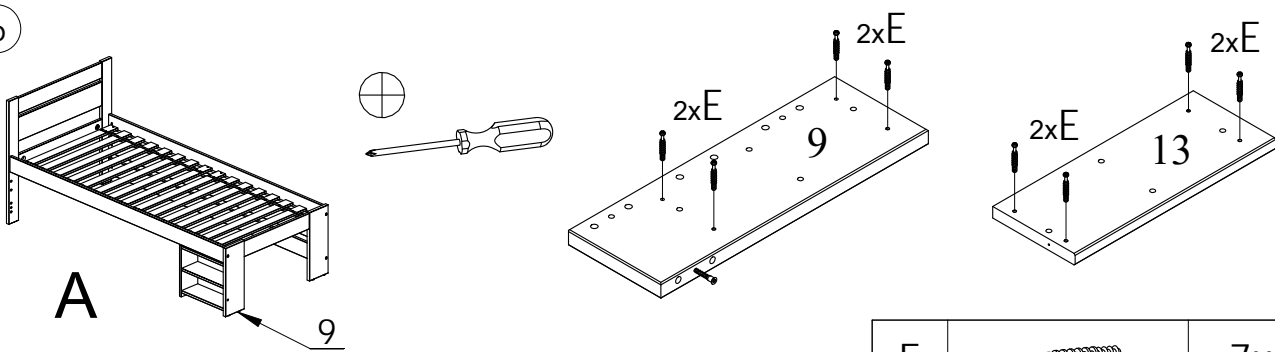
D		D35	x2
---	--	-----	----

5



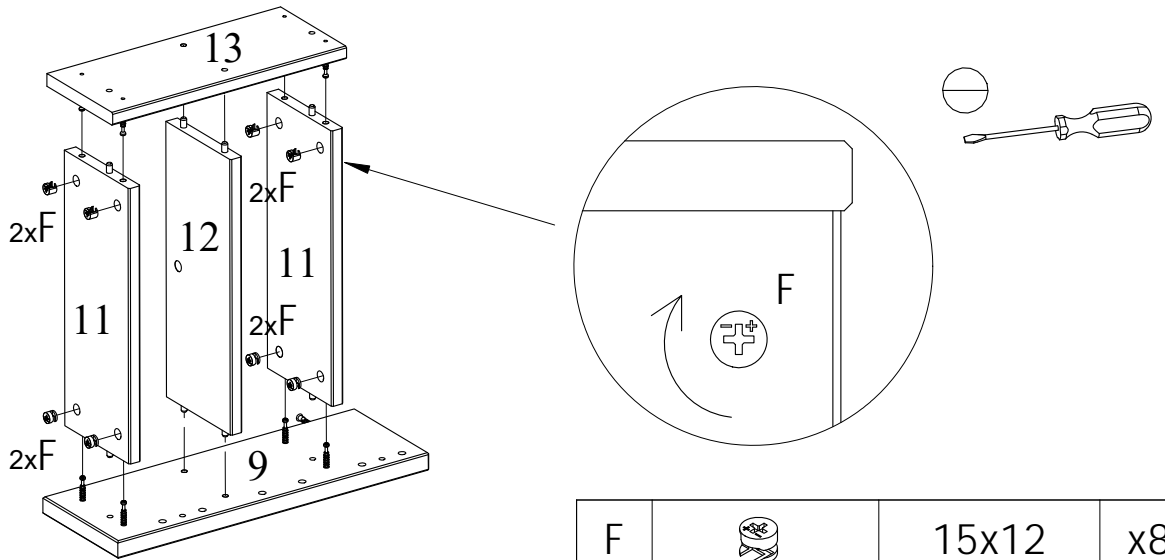
D		D35	x2
R		D35x9	x2
Q		D25x4	x2

6



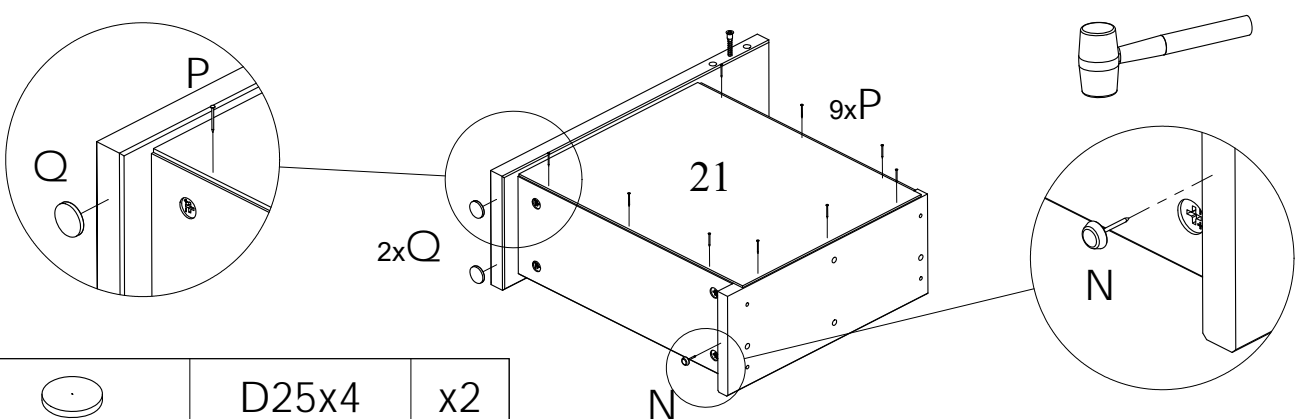
E		7x34	x8
---	--	------	----

7



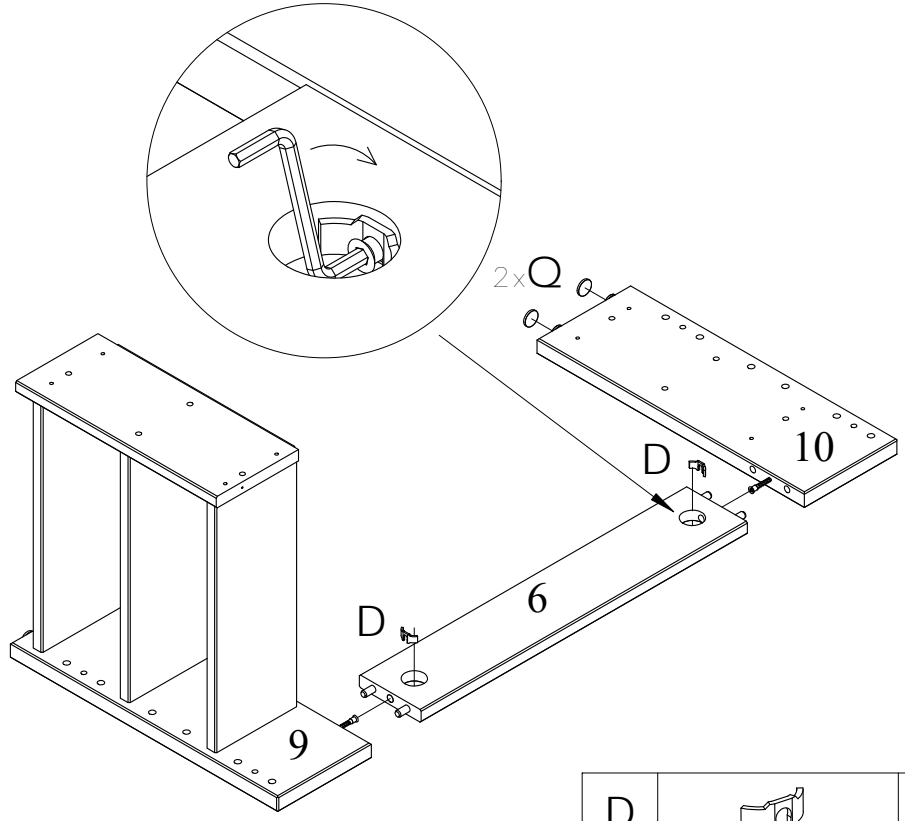
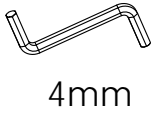
F		15x12	x8
---	--	-------	----

8



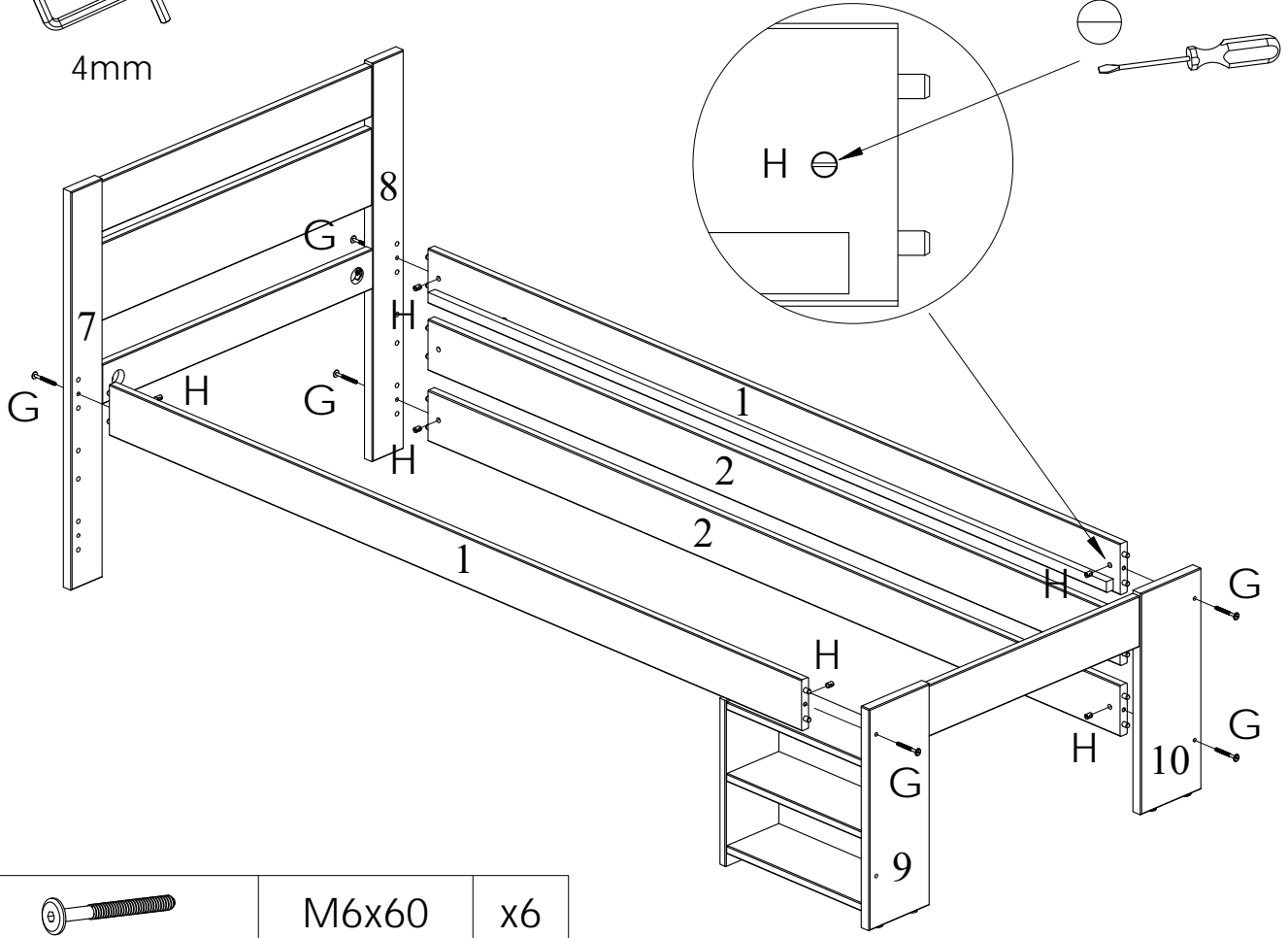
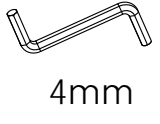
Q		D25x4	x2
N		D12x18	x1
P		1,2x20	x9

9



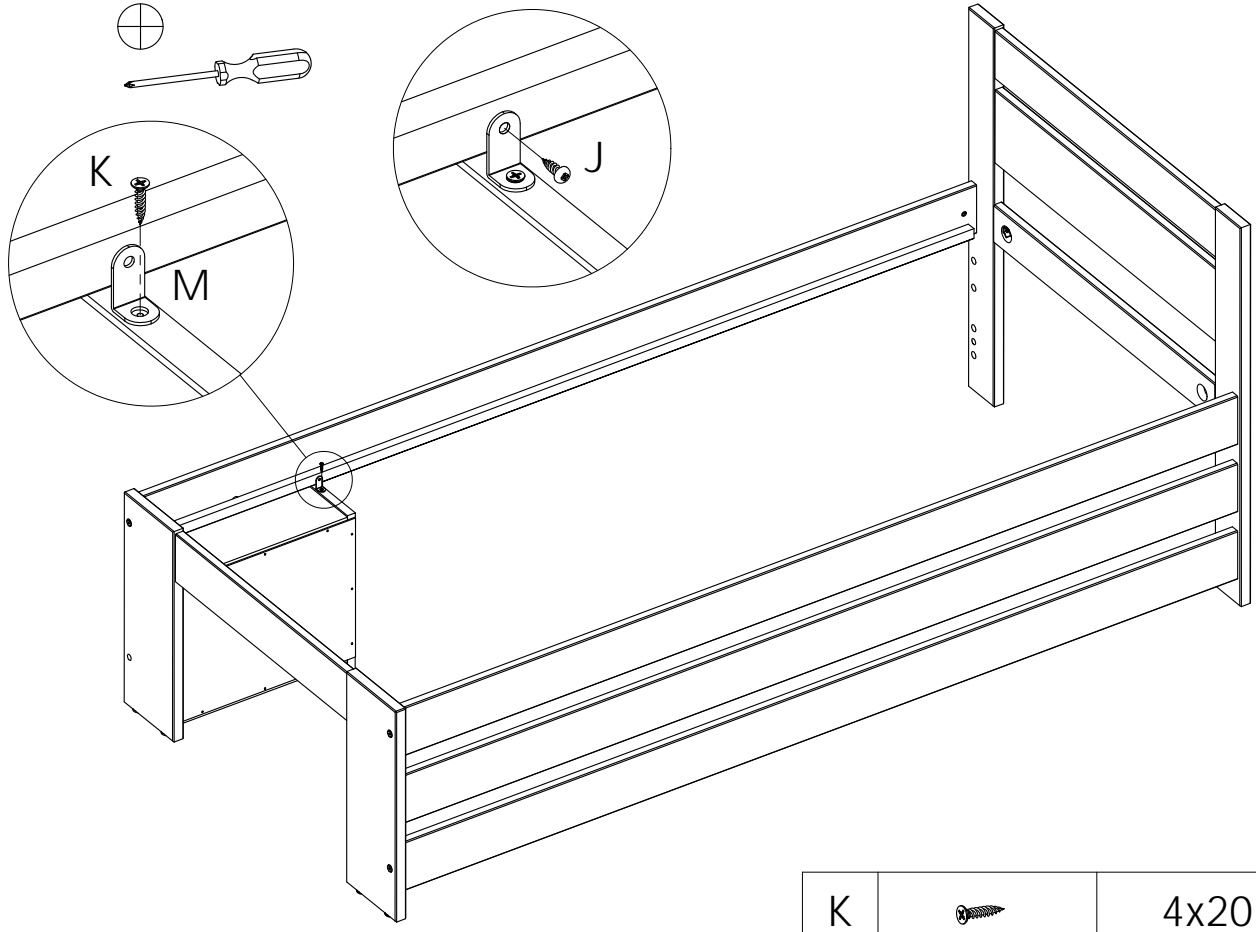
D		D35	x2
Q		D25x4	x2

10



G		M6x60	x6
H		M6x10x13	x6

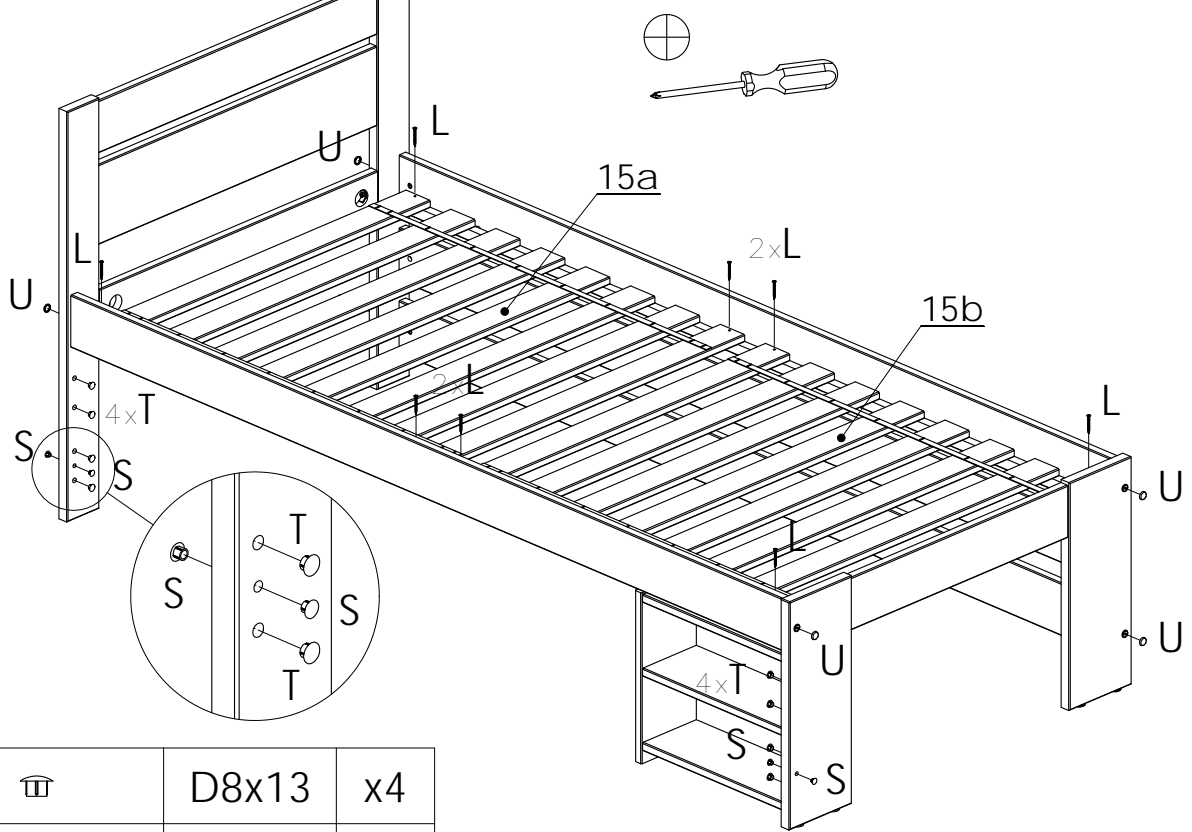
11



M		28x17x15	x1
---	--	----------	----

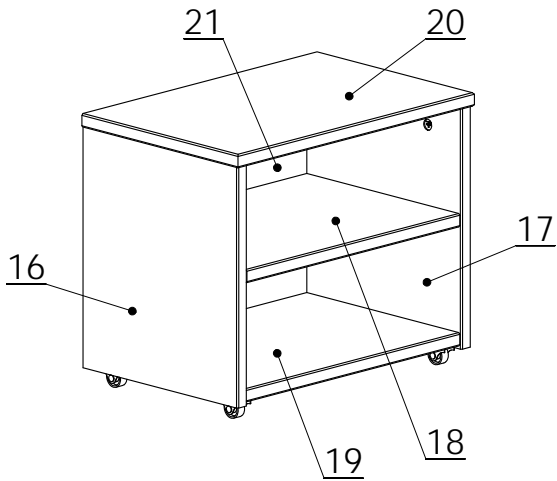
K		4x20	x1
J		3,5x16	x1

12



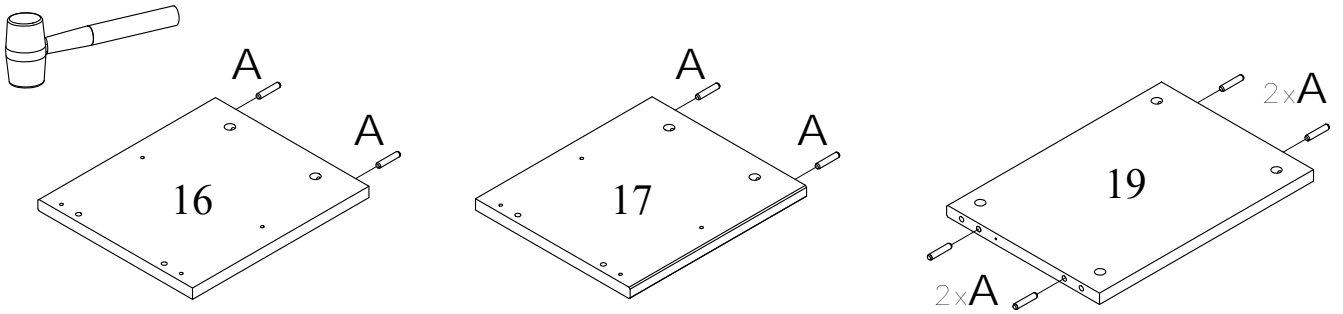
S		D8x13	x4
T		D10x15	x8
U		D15x18	x6

L		3,5x40	x8
---	--	--------	----



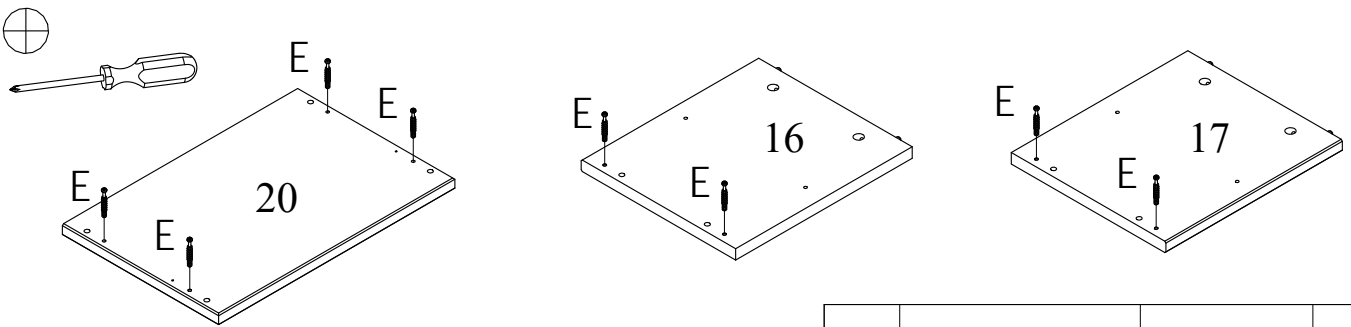
A		8x40	x8
E		7x34	x8
F		15x12	x8
X		D26	x4
J		3,5x16	x8
P		1,2x20	x25
Y		D5x16	x4

13



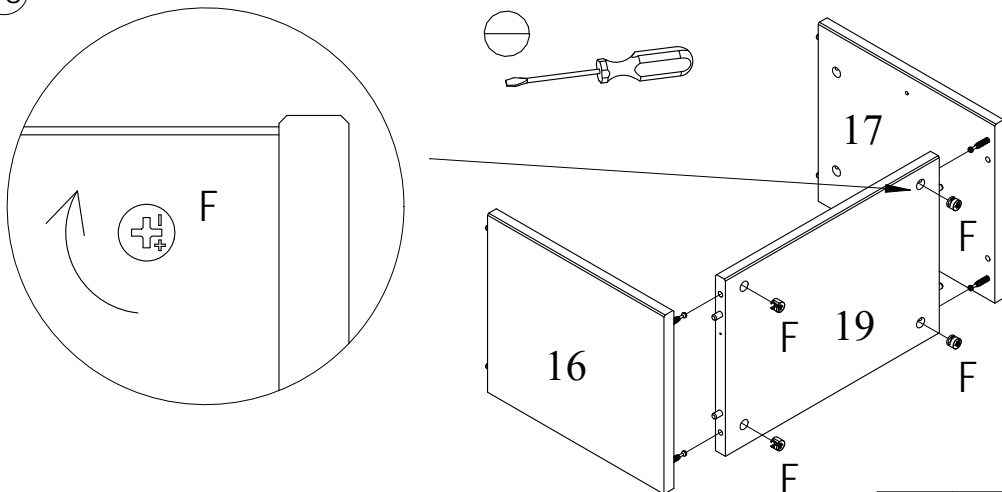
A		8x40	x8
---	--	------	----

14



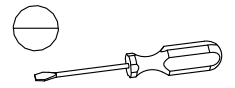
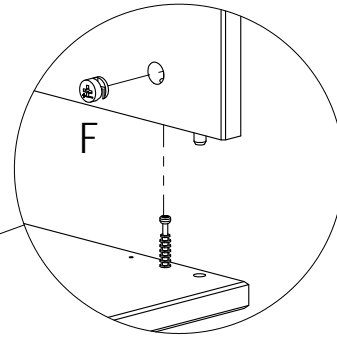
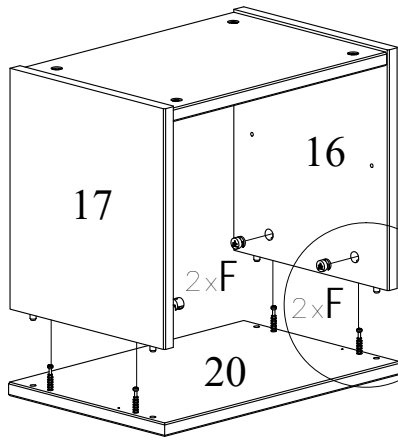
E		7x34	x8
---	--	------	----


15



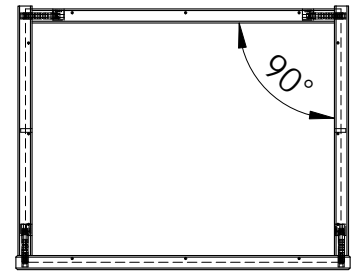
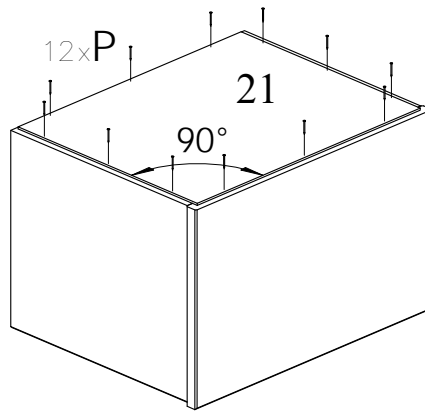
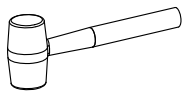
F		15x12	x4
---	--	-------	----

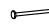
16



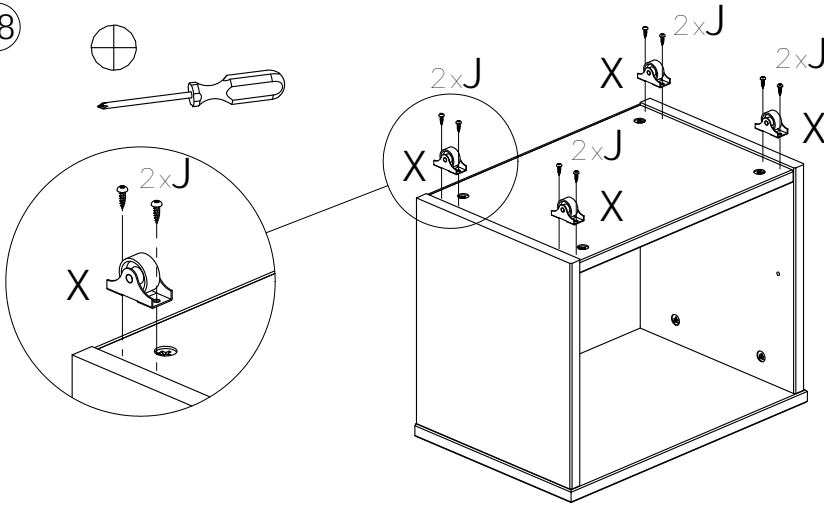
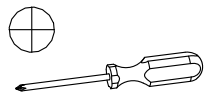
F		15x12	x4
---	---	-------	----



17



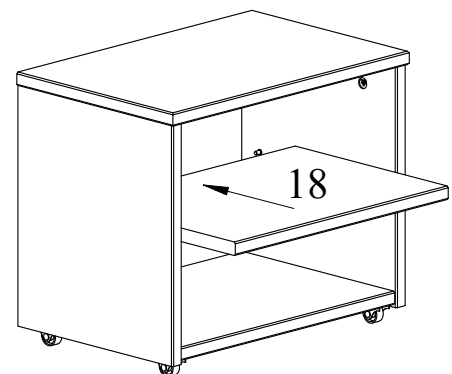
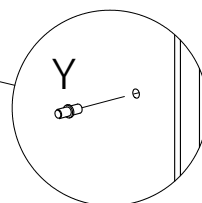
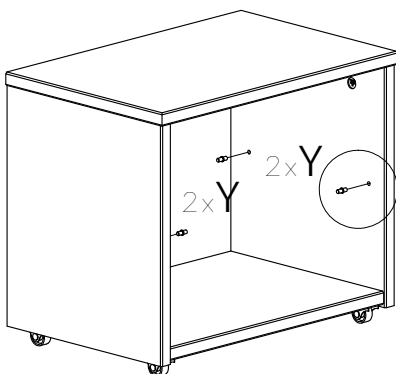
P		1,2x20	x12
---	---	--------	-----

18

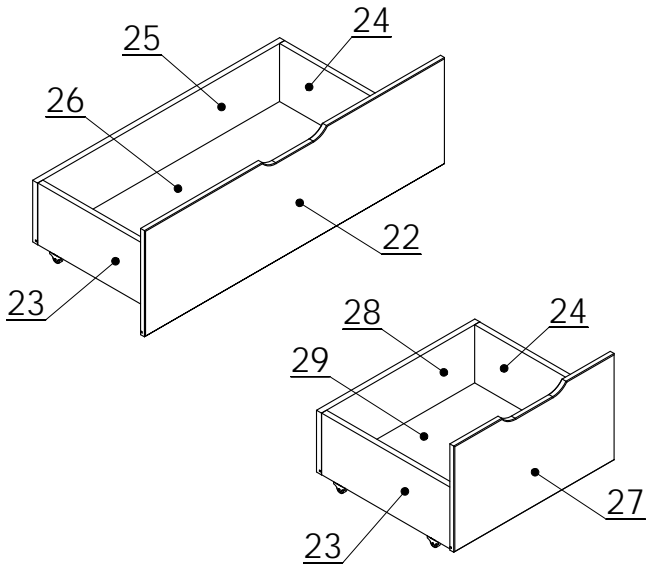


X		D26	x4
J		3,5x16	x8

19

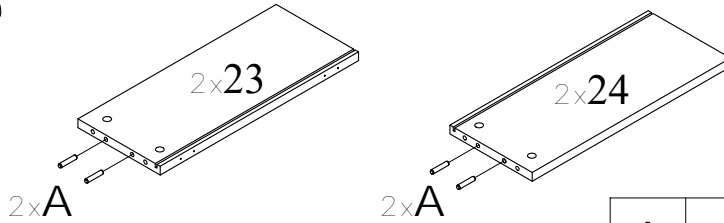
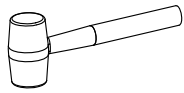


Y		D5x16	x4
---	---	-------	----



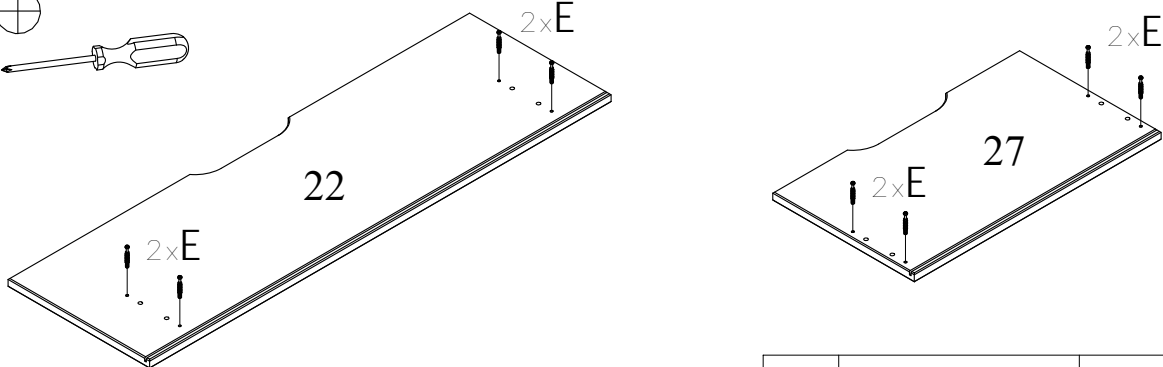
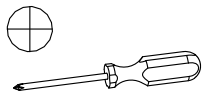
A		8x40	x8
E		7x34	x8
F		15x12	x8
X		D26	x8
J		3,5x16	x16
L		3,5x40	x8
M		28x17x15	x2
K		4x20	x2

20



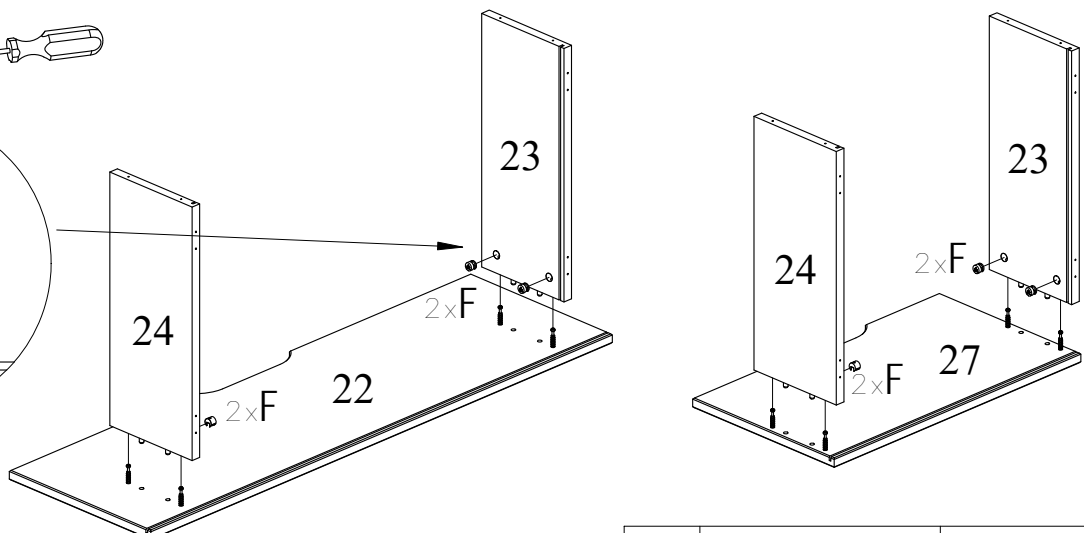
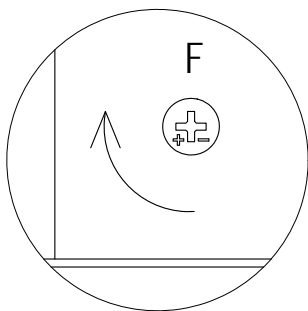
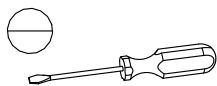
A		8x40	x8
---	--	------	----

21



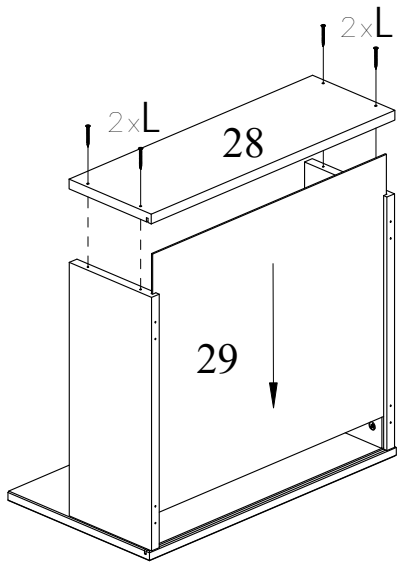
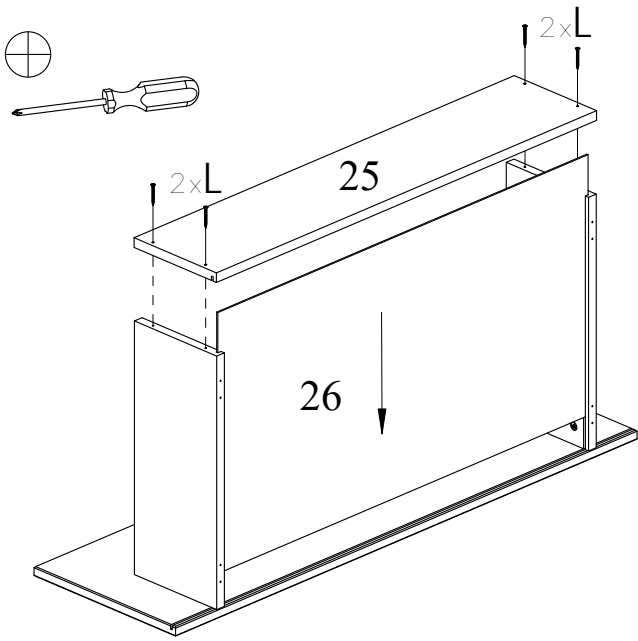
E		7x34	x8
---	--	------	----


22



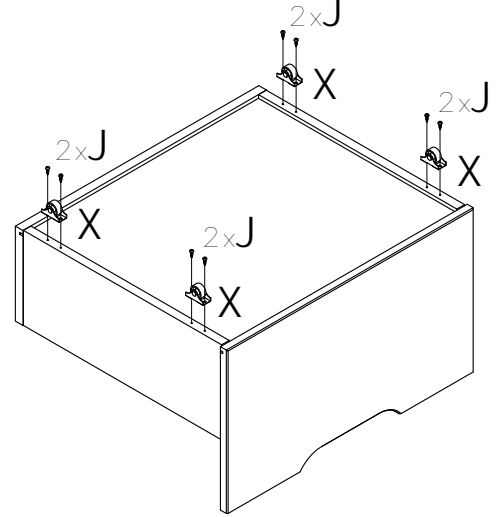
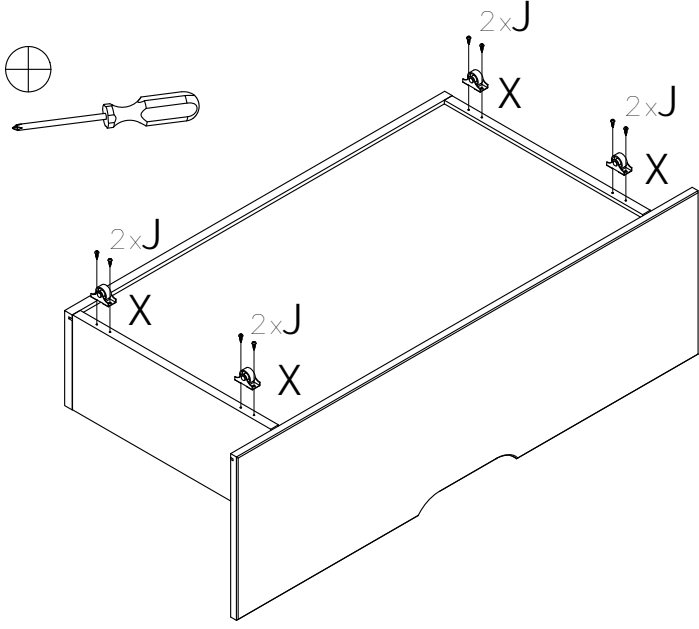
F		15x12	x8
---	--	-------	----



23



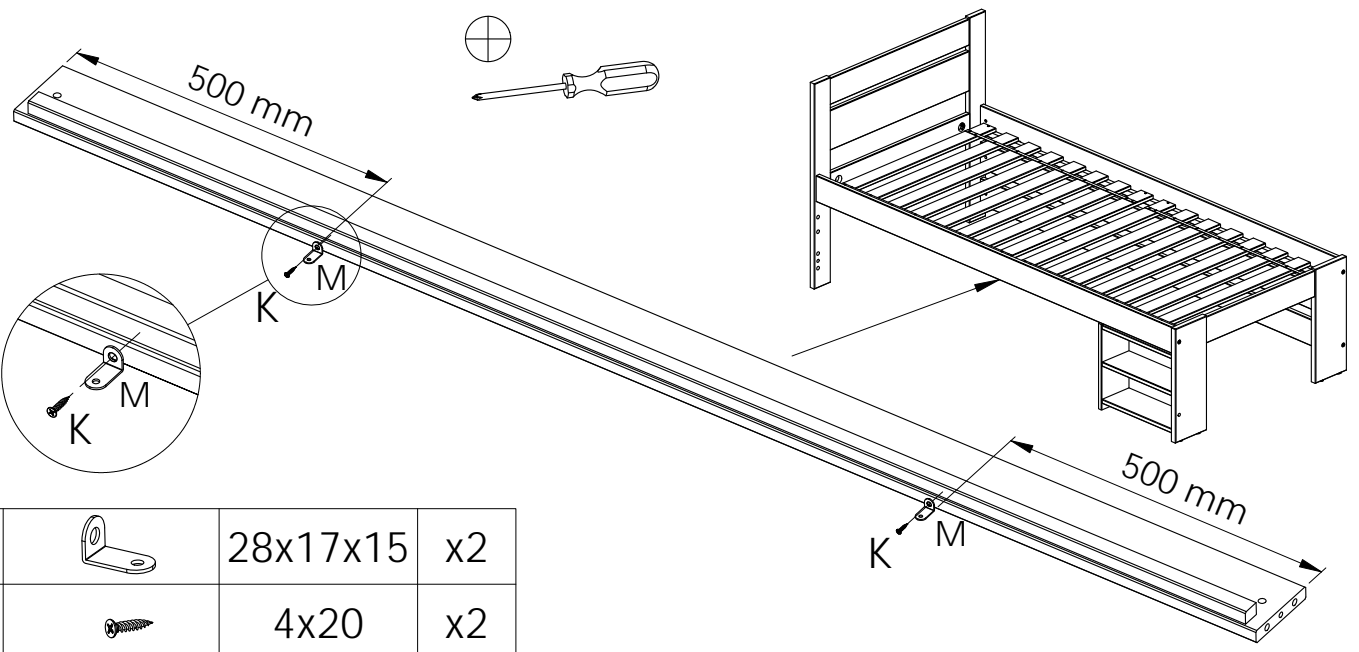
L		3,5x40	x8
---	---	--------	----

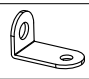

24



X		D26	x8
J		3,5x16	x16

25



M		28x17x15	x2
K		4x20	x2