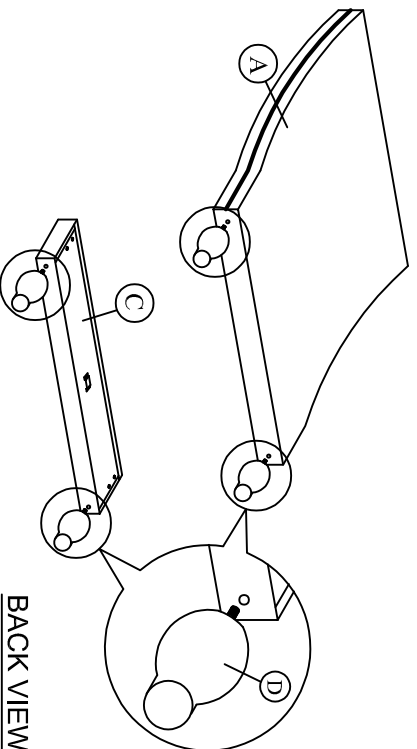


ASSEMBLY INSTRUCTION

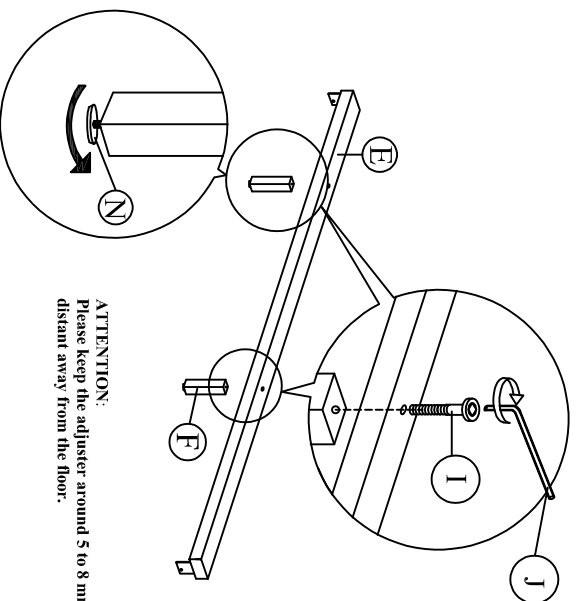
MODEL : CF 9369 (46")

A	Headboard	1 pc
B	Footboard	1 pc
C	Side Rail	2 pcs
D	Legs 60 x 110(H)	4 pcs
E	Center Rail 1930mm	1 pc
F	Support Leg 195mm	2 pcs
G	13 Pcs Slat 1397mm	1 pc
H	JCBC M6 X 30	8 pcs
I	JCBC M6 X 40	2 pcs
J	M4 x 65mm	1 pc
K	CSK M4 x 25mm	2 pcs
L	CSK M4 x 32mm	29 pcs
M	Spring Washer	8 pcs
N	Small Adjuster	2 pcs

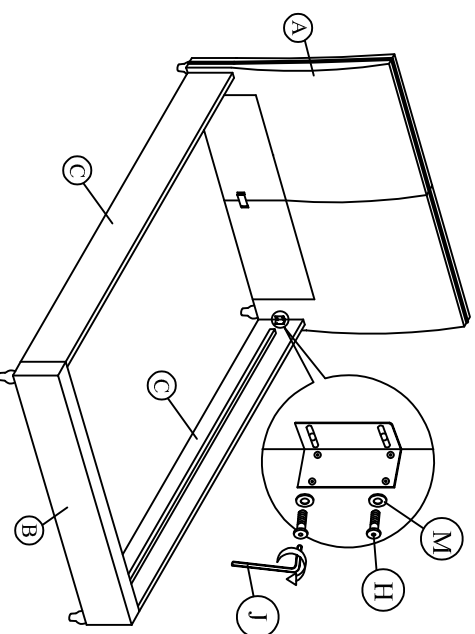
Step 1 : Install the legs (D) to footboard (C) and headboard (A).



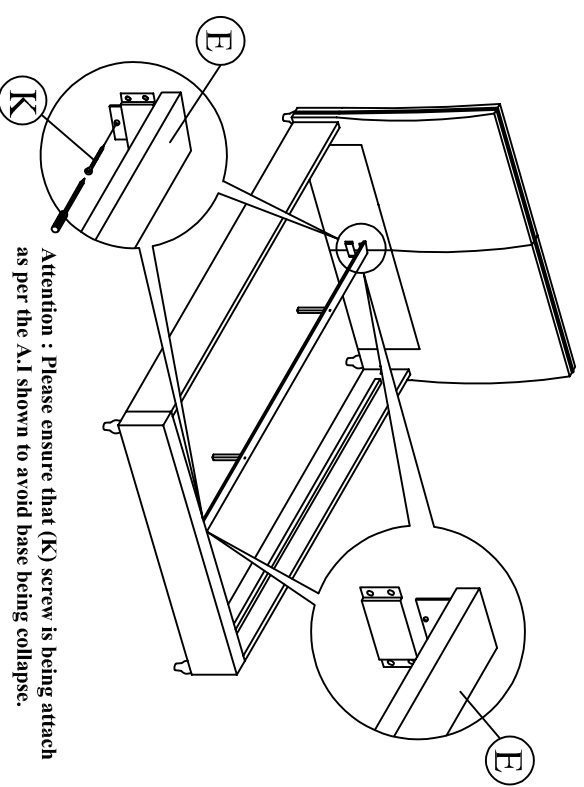
Step 3 : Attach the support legs (F) to the center rail (E) of the bed as shown.



Step 2 : Attached side rail (C) to headboard (A) and footboard (B) and tightened the screws (H) and flat washers (M) to the headboard (A) and footboard (B).



Step 4 : Slide the center rail (E) to the headboard (A) and footboard (C). Tighten screws (K) using screw driver (not included) to the headboard (A) and footboard (C).



Step 5 : Affix the Slat (G) to the side rail support wood and the center rail (E).

