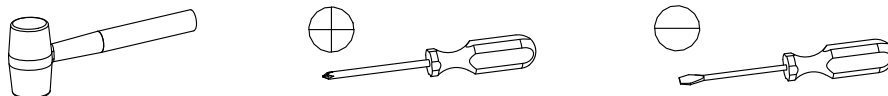
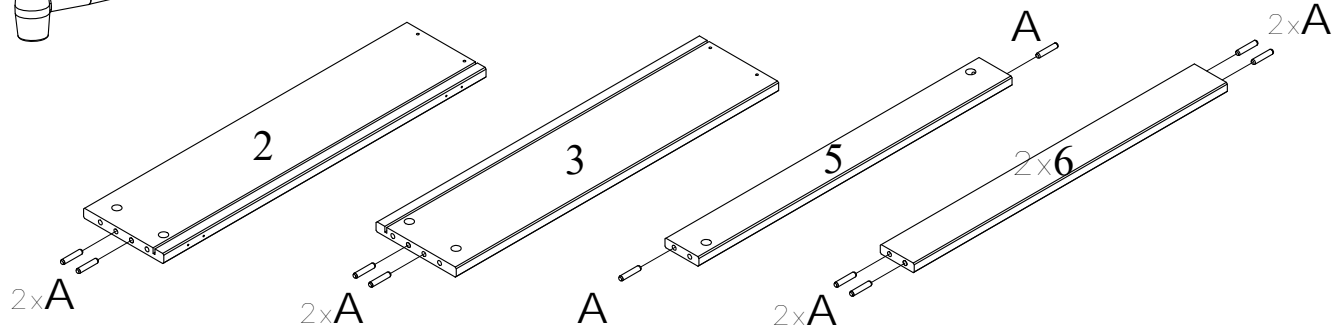
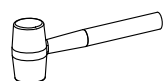


A		8x40	x14
B		7x34	x6
C		15x12	x6
D		3,5x40	x4
E		D26	x4
F		3,5x16	x8
G		L=1591	x1

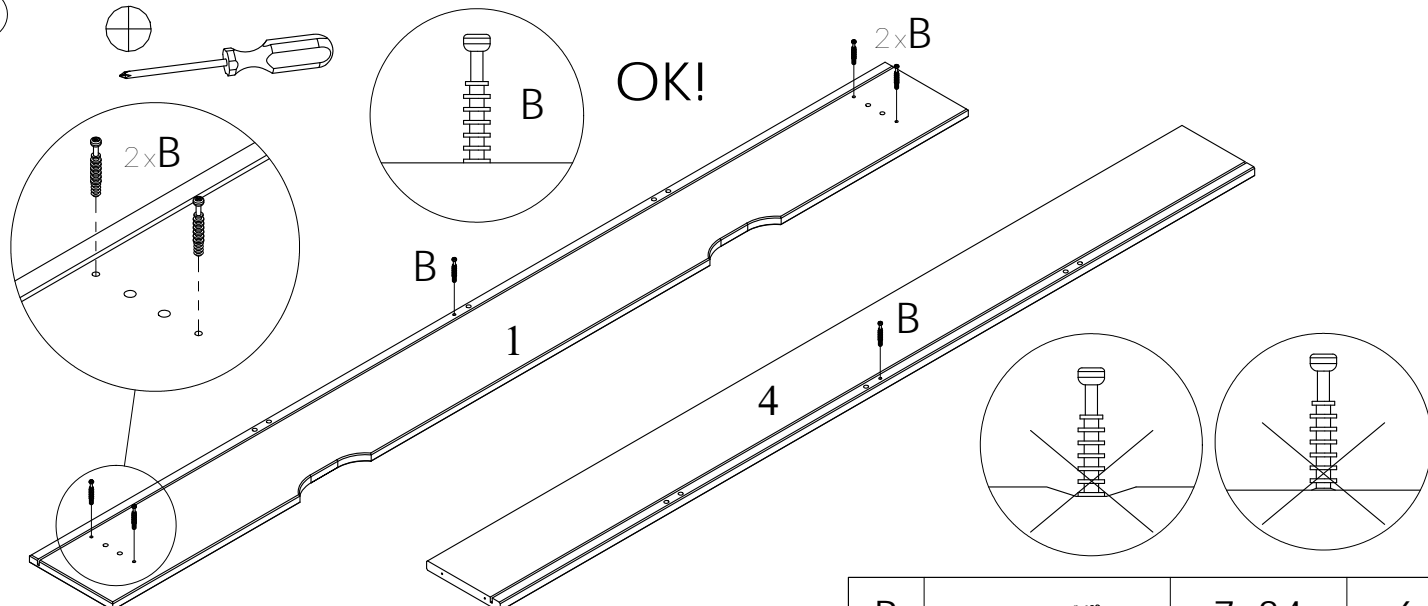
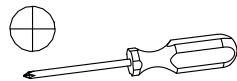


1

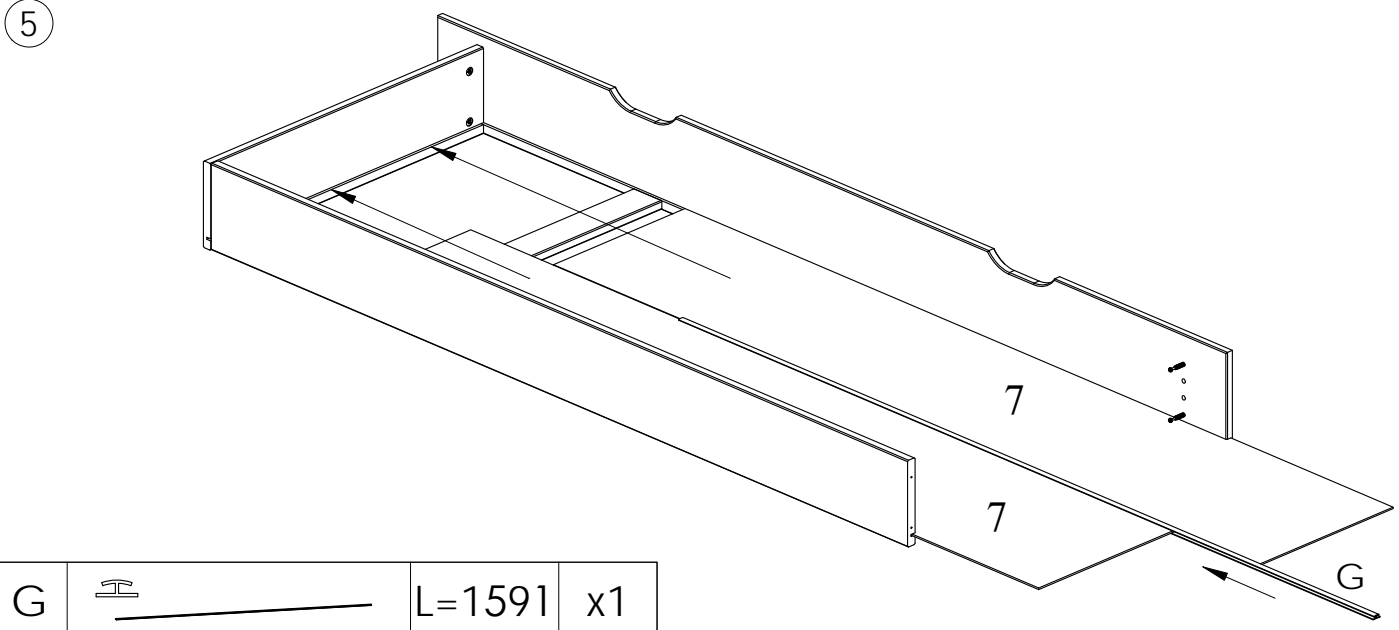
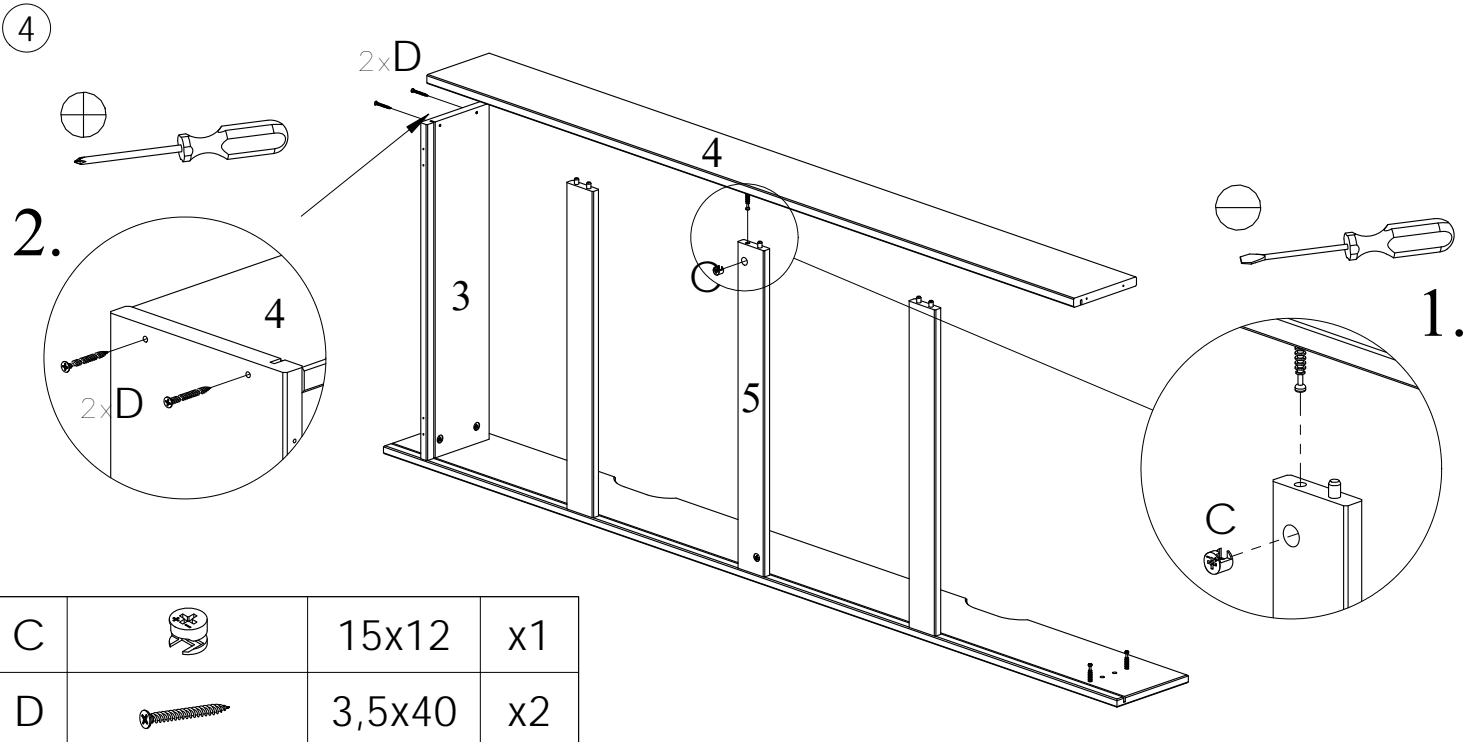
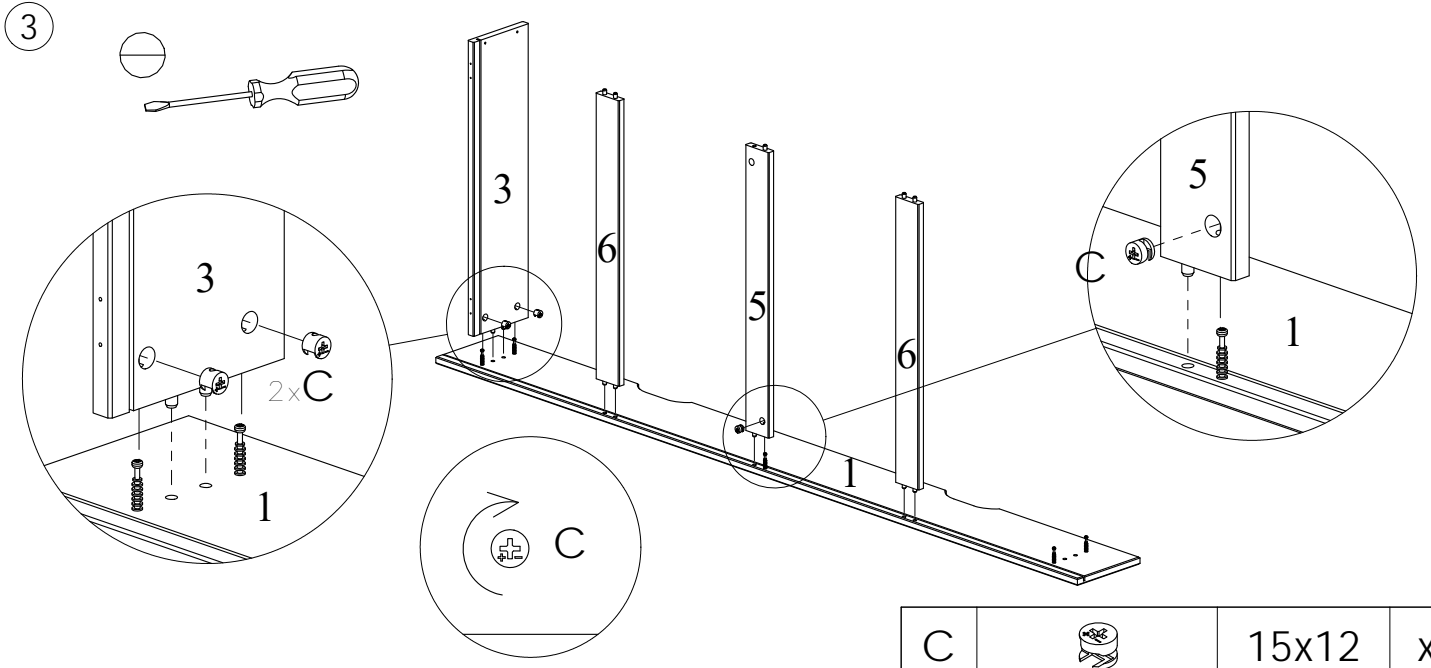


A		8x40	x14
---	--	------	-----

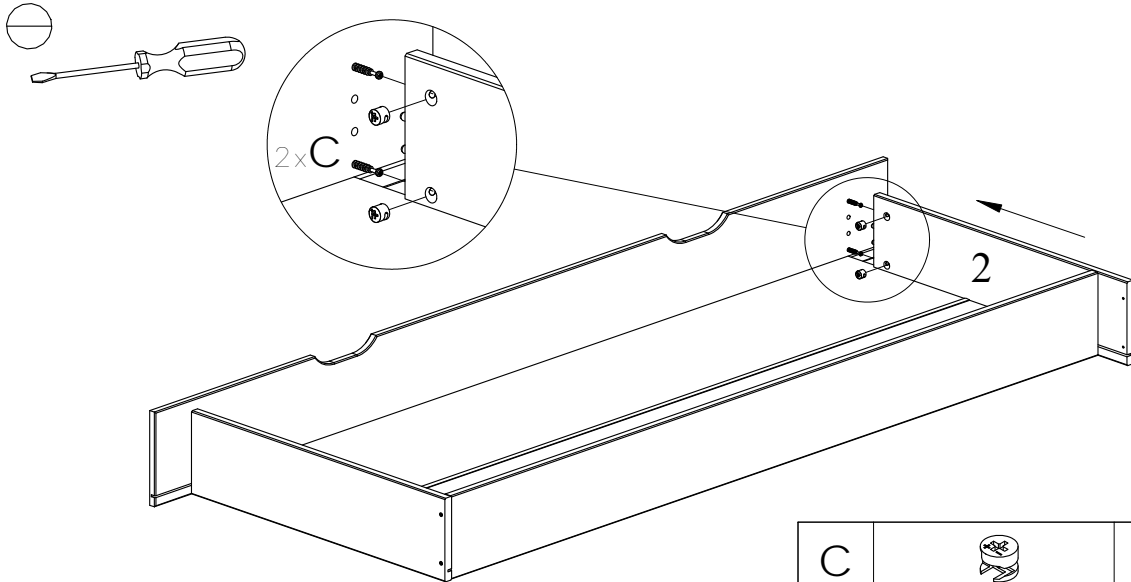
2



B		7x34	x6
---	--	------	----

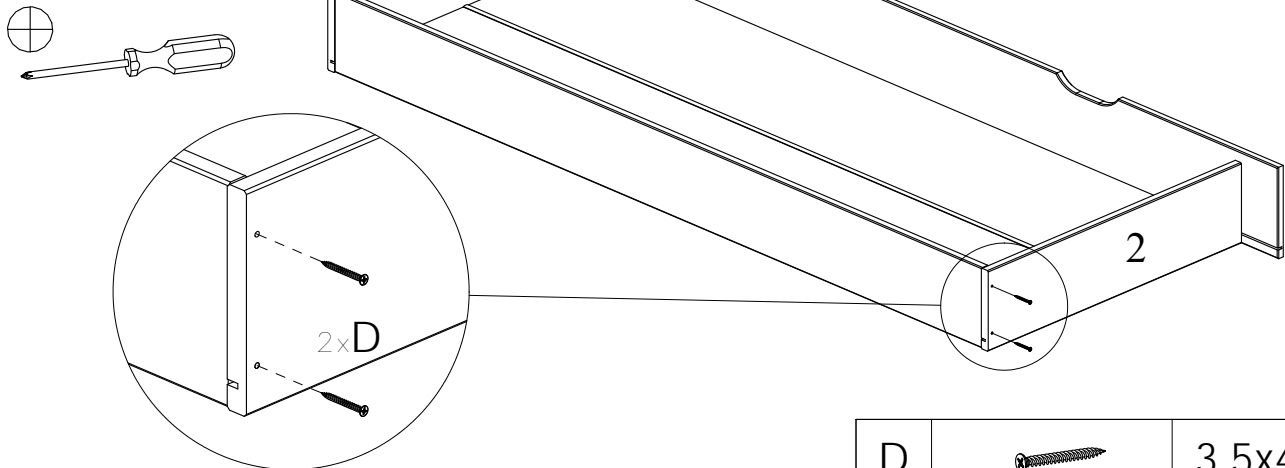



6



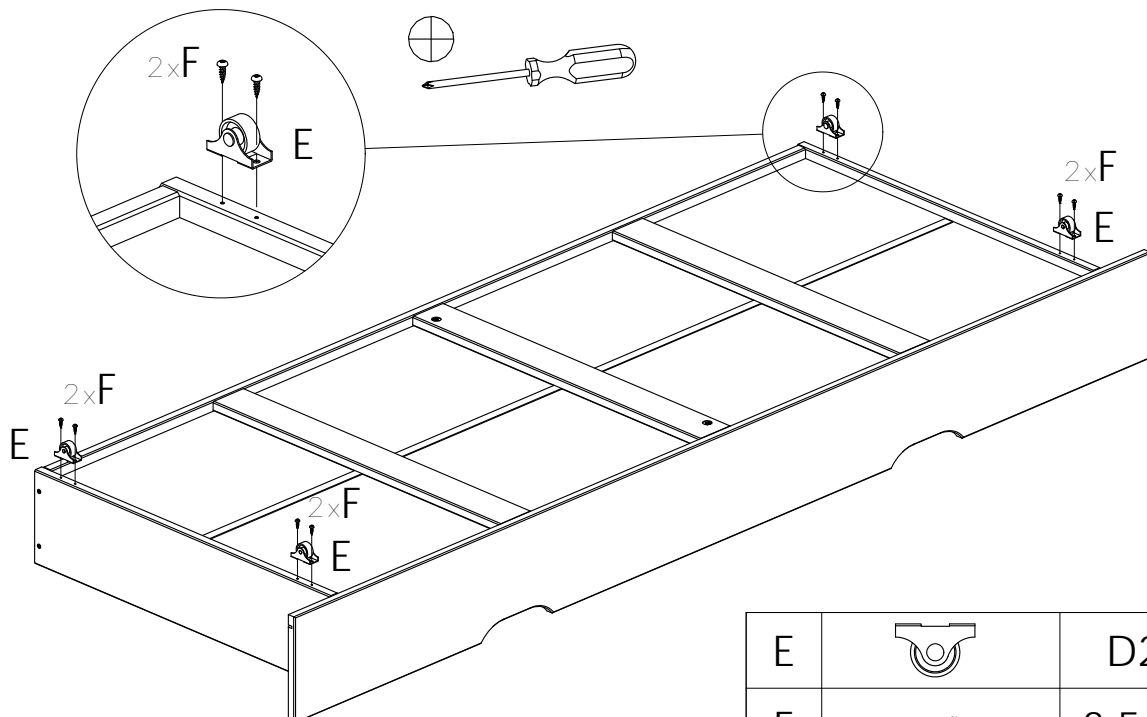
C		15x12	x2
---	---	-------	----



7



D		3,5x40	x2
---	---	--------	----

8



E		D26	x4
F		3,5x16	x8