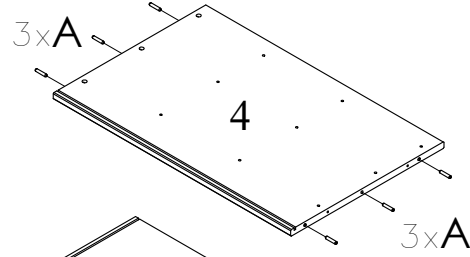
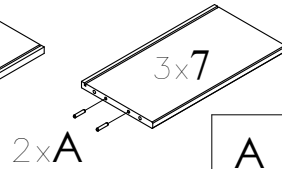
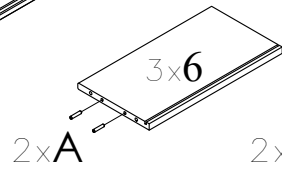
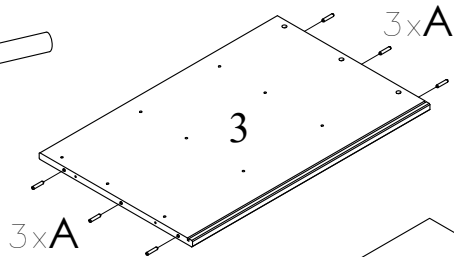
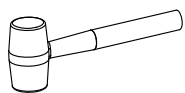


A		6x30	x24
B		6,5x27	x18
C		10x11	x18
D		4,2x45	x4
E		3,5x35	x12
F		4x30	x4
G		D39x20	x4

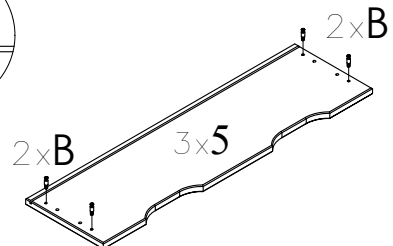
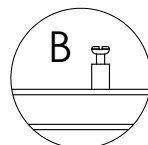
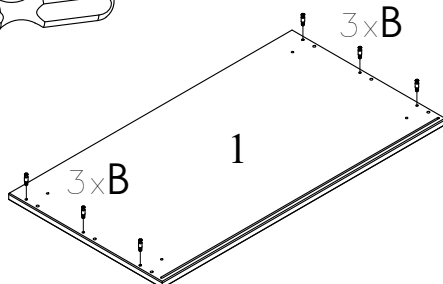
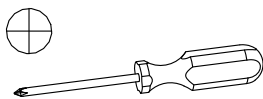
H		350mm	x3
J		11/5,8x6,5	x18
K		758mm	x1
L		3,5x20	x8
M		3x15	x12

①



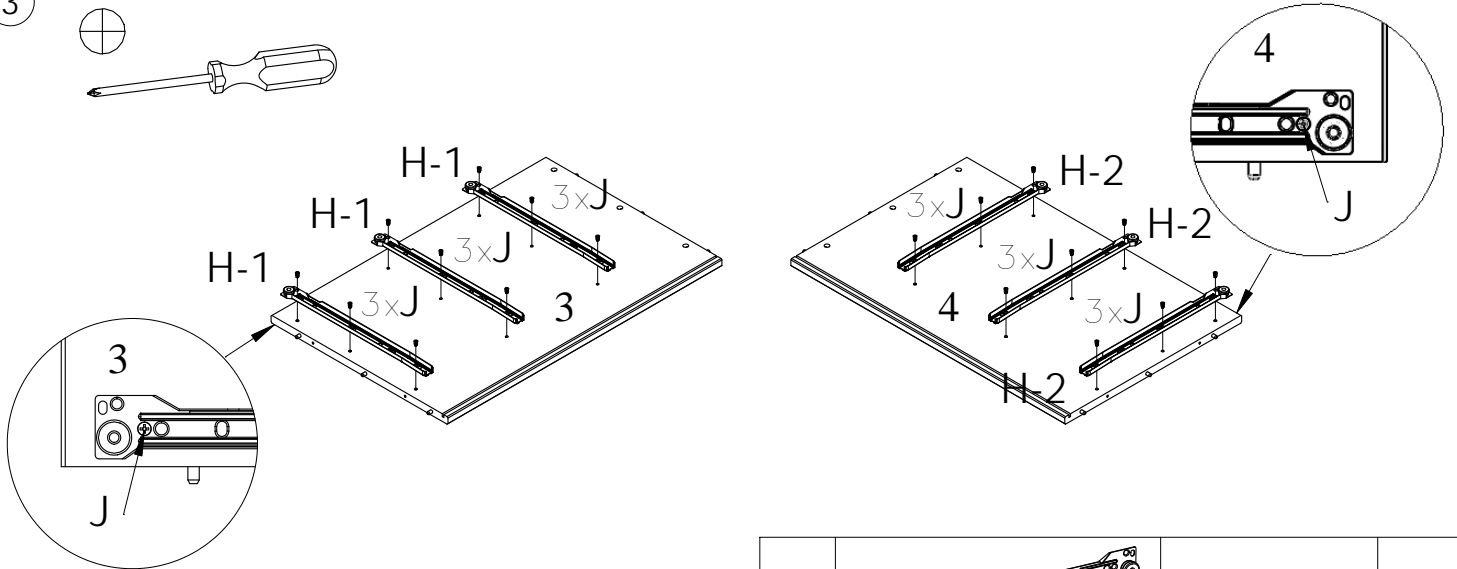
A		6x30	x24
---	--	------	-----

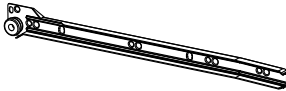
②

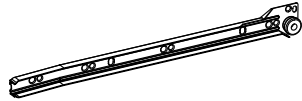



B		6,5x27	x18
---	--	--------	-----

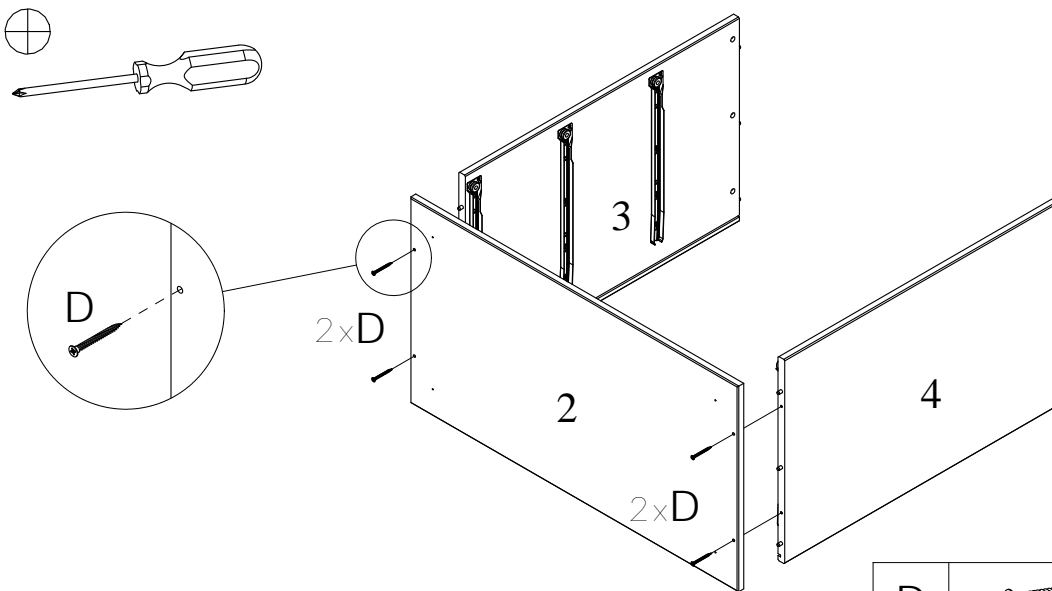
3




H-1		350mm	x3
-----	---	-------	----

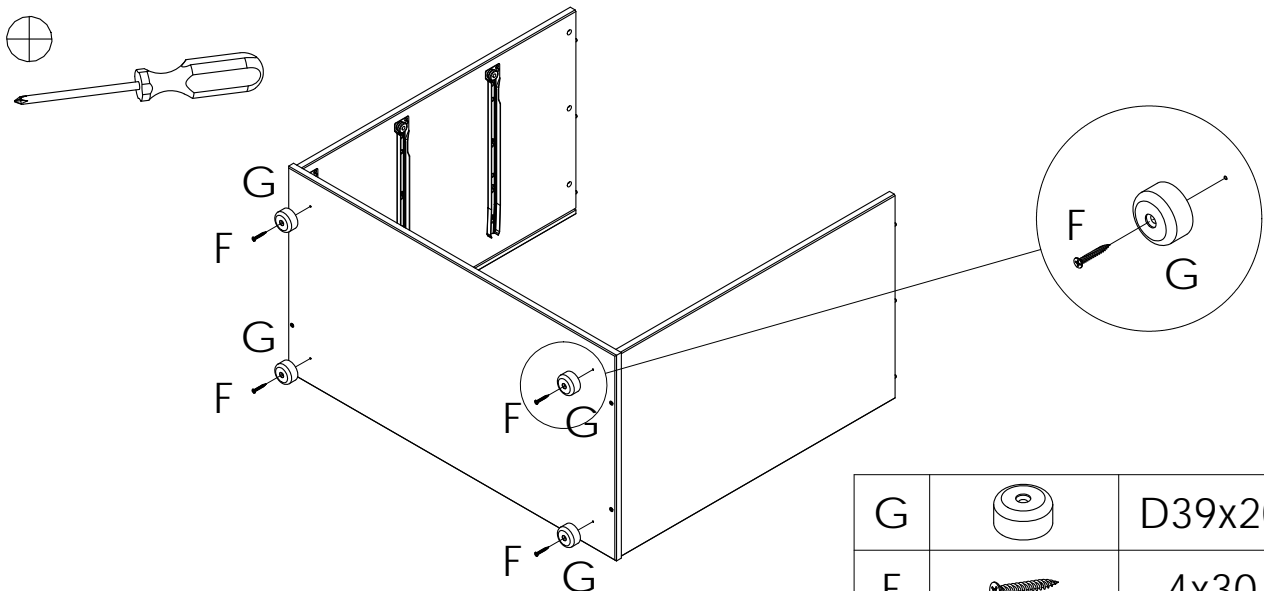
H-2		350mm	x3
J		11/5,8x6,5	x18



4



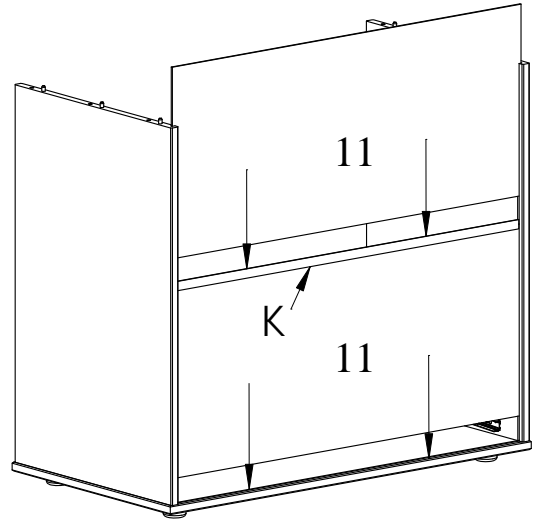
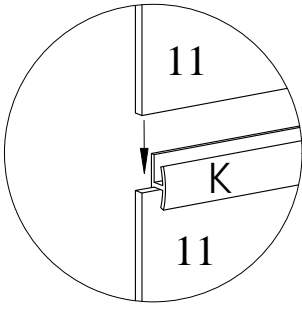
D		4,2x45	x4
---	---	--------	----

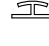
5



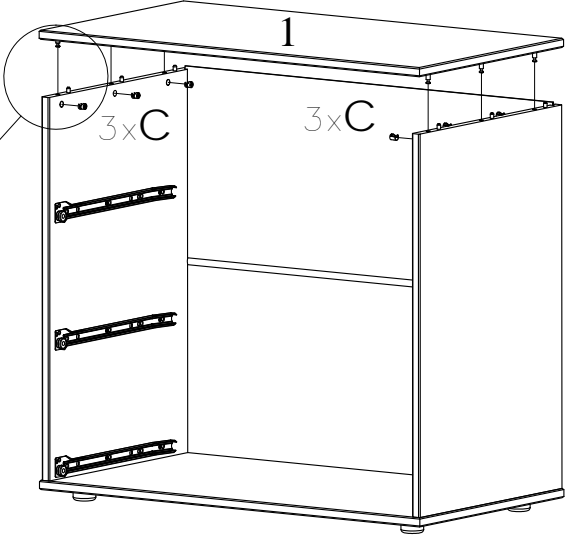
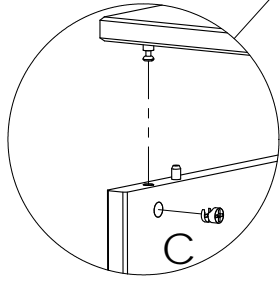
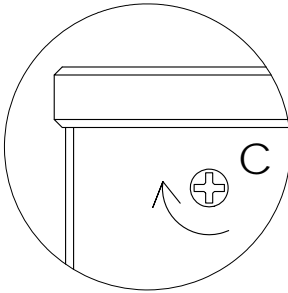
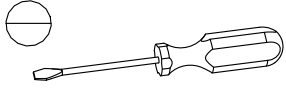
G		D39x20	x4
F		4x30	x4


6



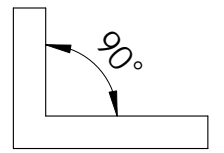
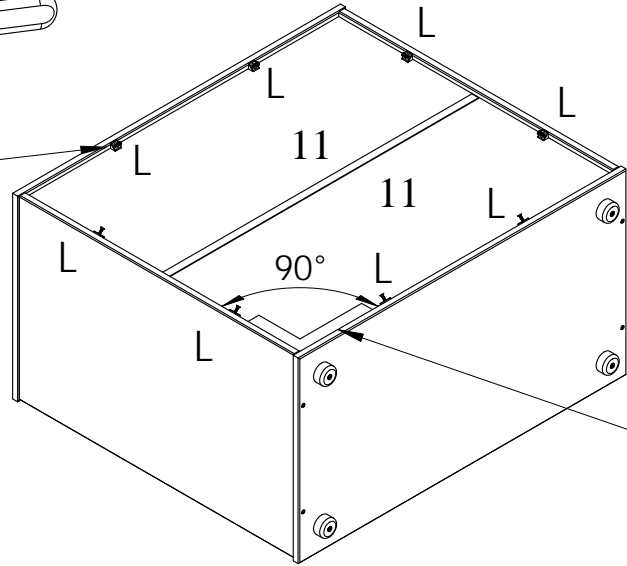
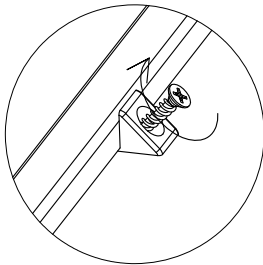
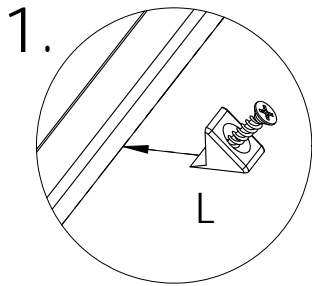
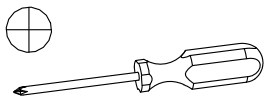
K		758mm	x1
---	---	-------	----


7



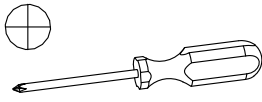
C		10x11	x6
---	---	-------	----

8

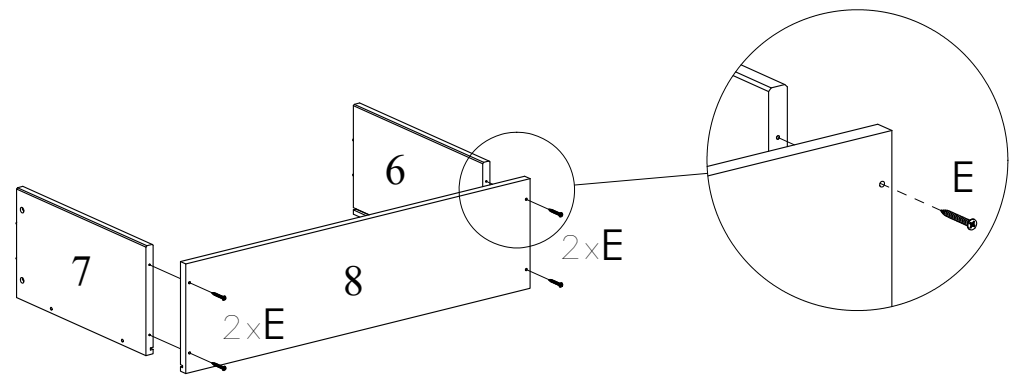


L		3,5x20	x8
---	---	--------	----

9

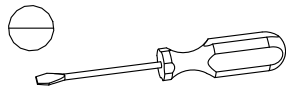


3x

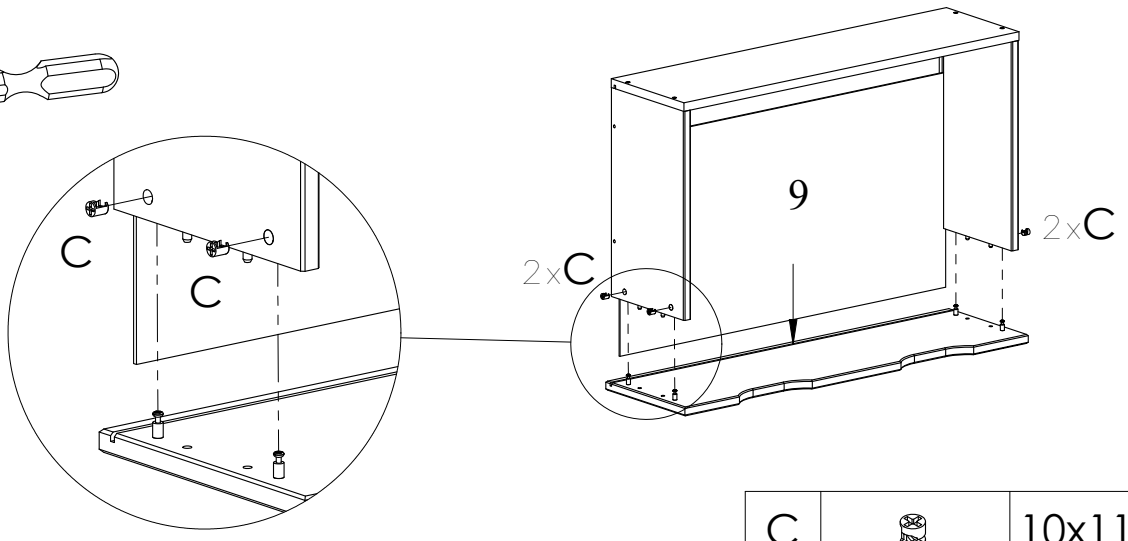


E		3,5x35	x12
---	--	--------	-----

10

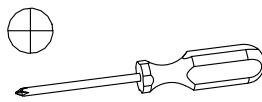


3x

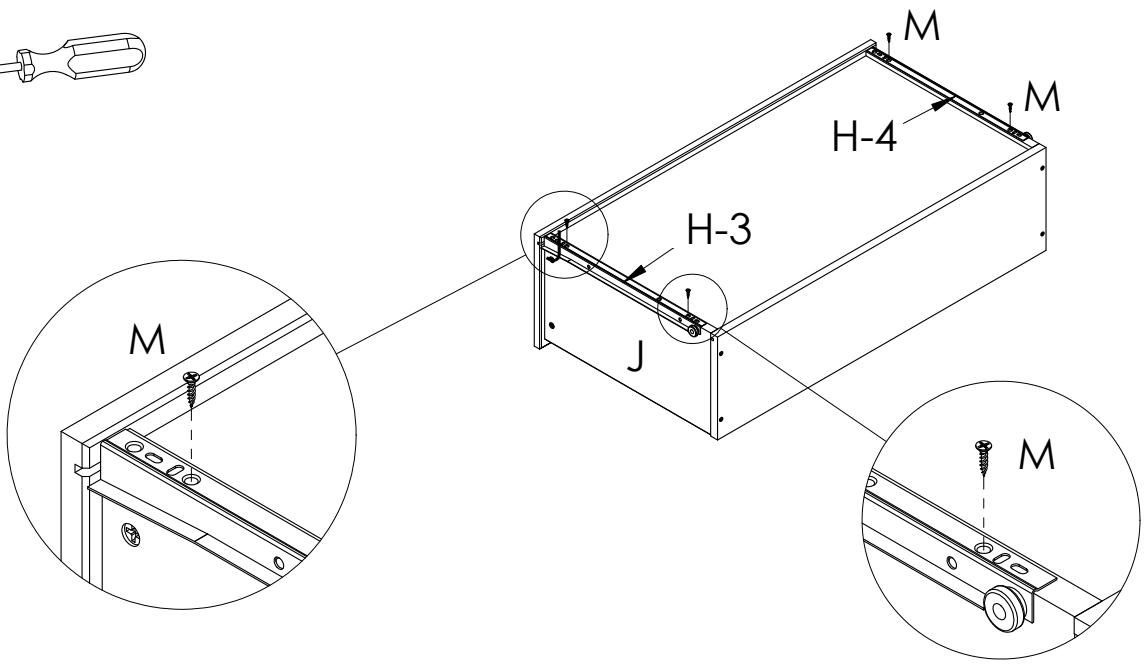


C		10x11	x12
---	--	-------	-----

11



3x



H-3		350mm	x3
-----	--	-------	----

H-4		350mm	x3
M		3x15	x12