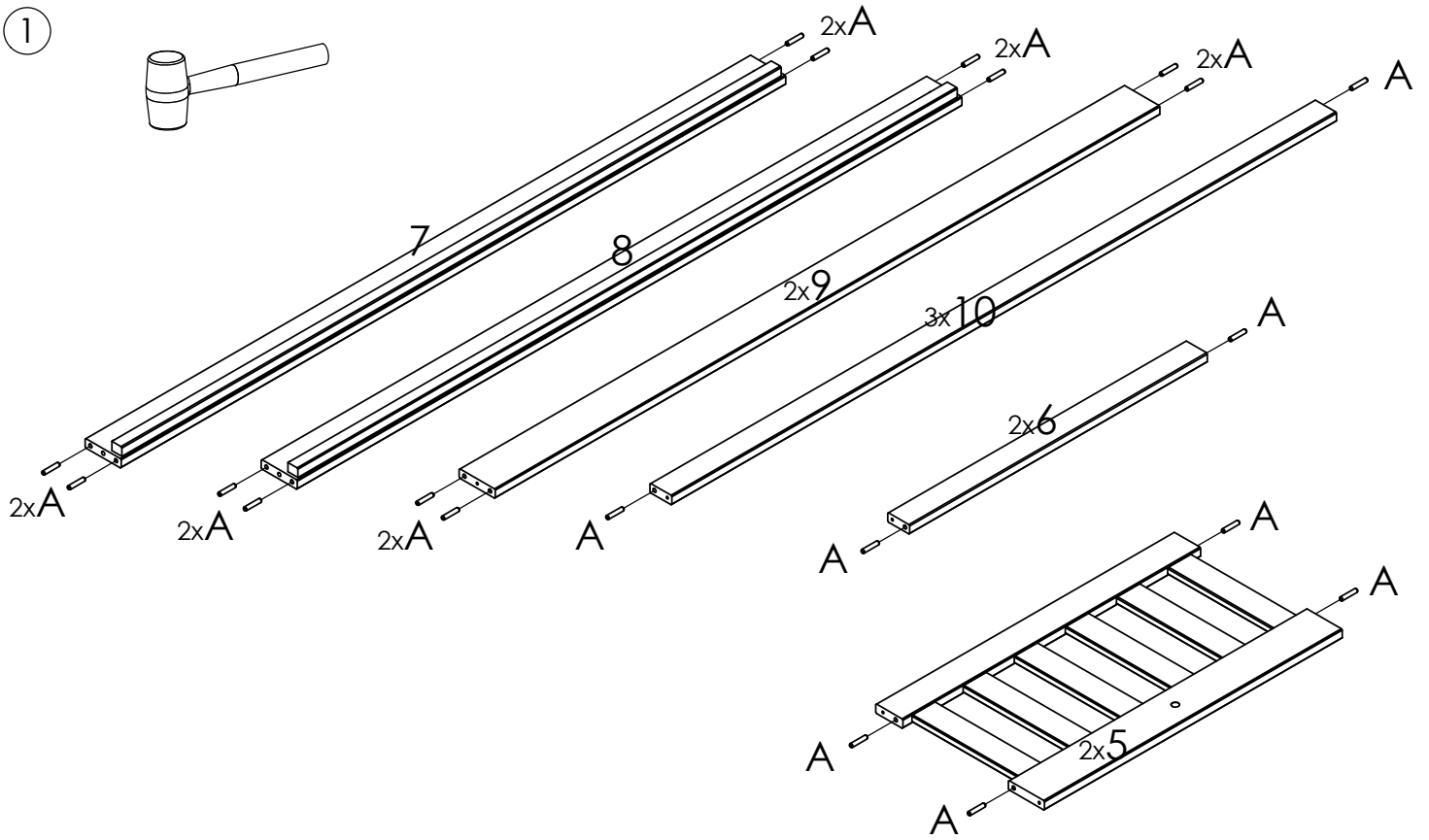
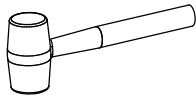



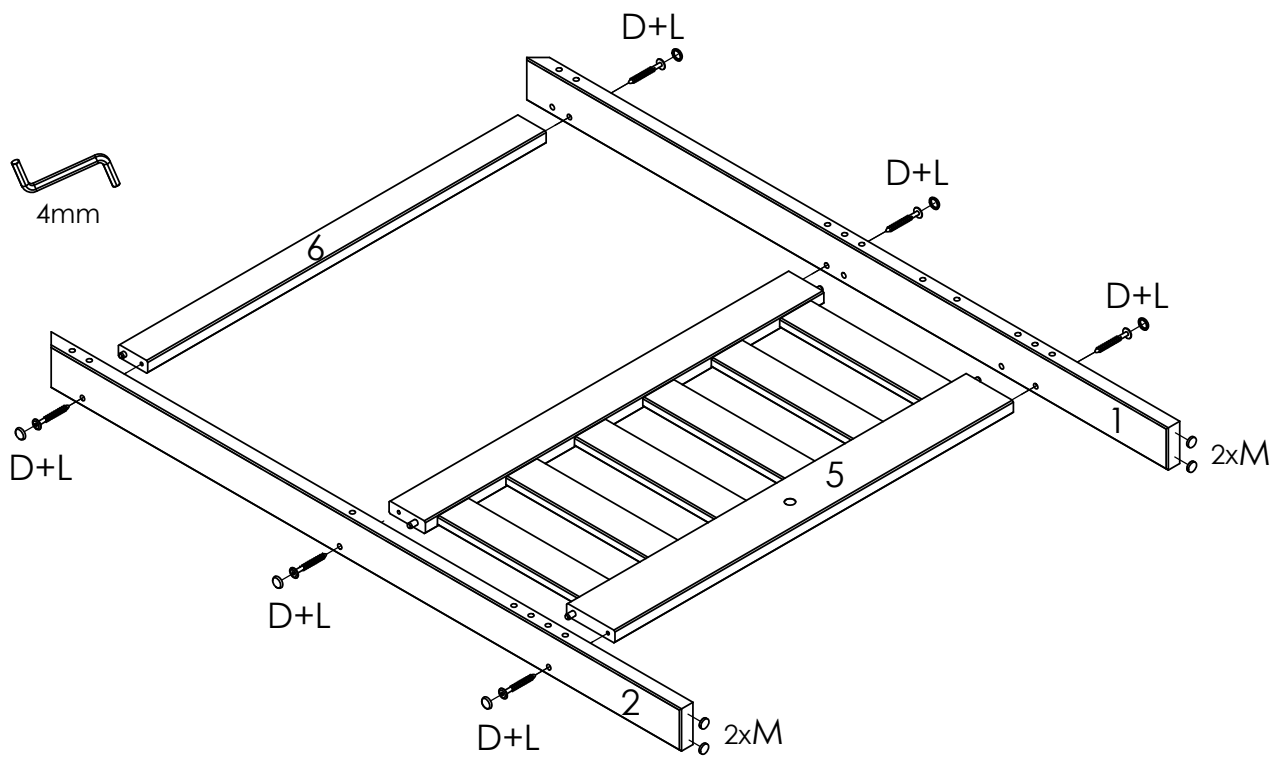
A		8x40	x34
B		M6x110	x4
C		M6x10x13	x4
D		6,3x60	x14
E		6,3x105	x10
F		7x50	x4
G		7x70	x2
H		5x30	x6
J		D4x13	x6
K		D8x13	x4
L		D15x18	x28
M		17x3	x8
N		4mm	x1
P		3,5x40	x26
Q		61x47x3	x2

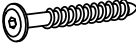


①



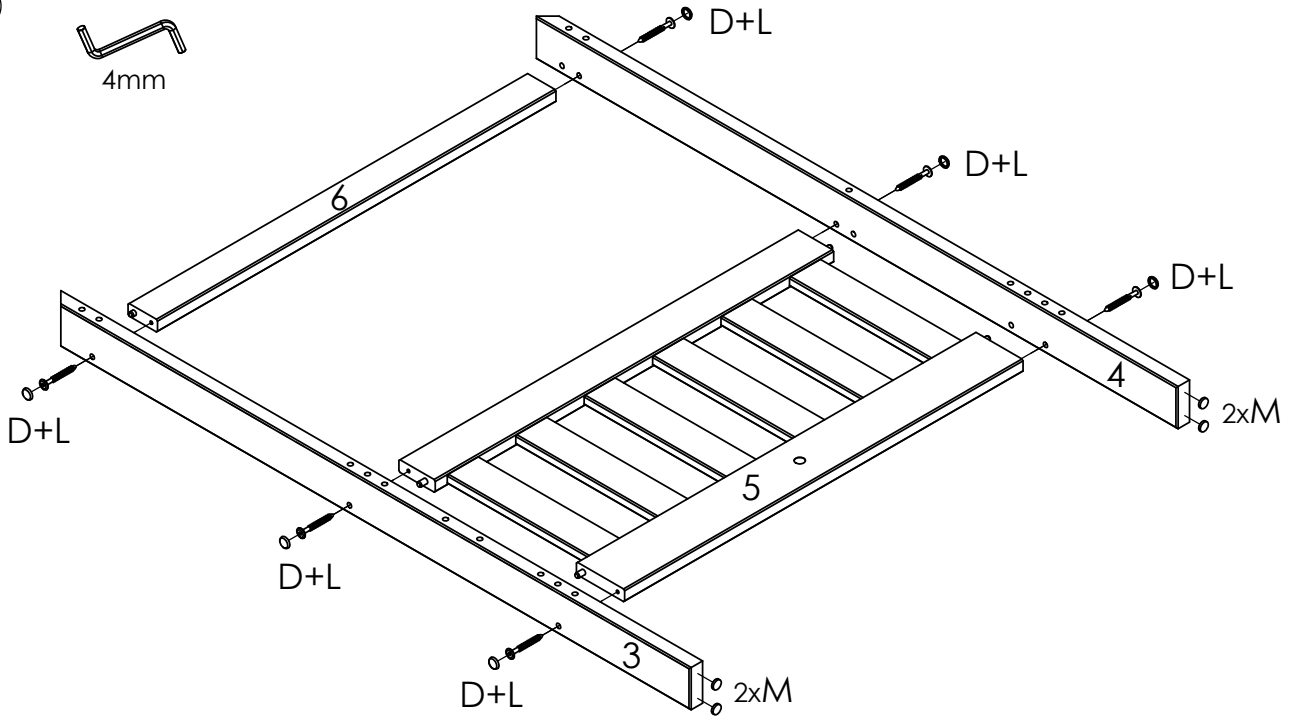
A		8x40	x34
---	--	------	-----



②



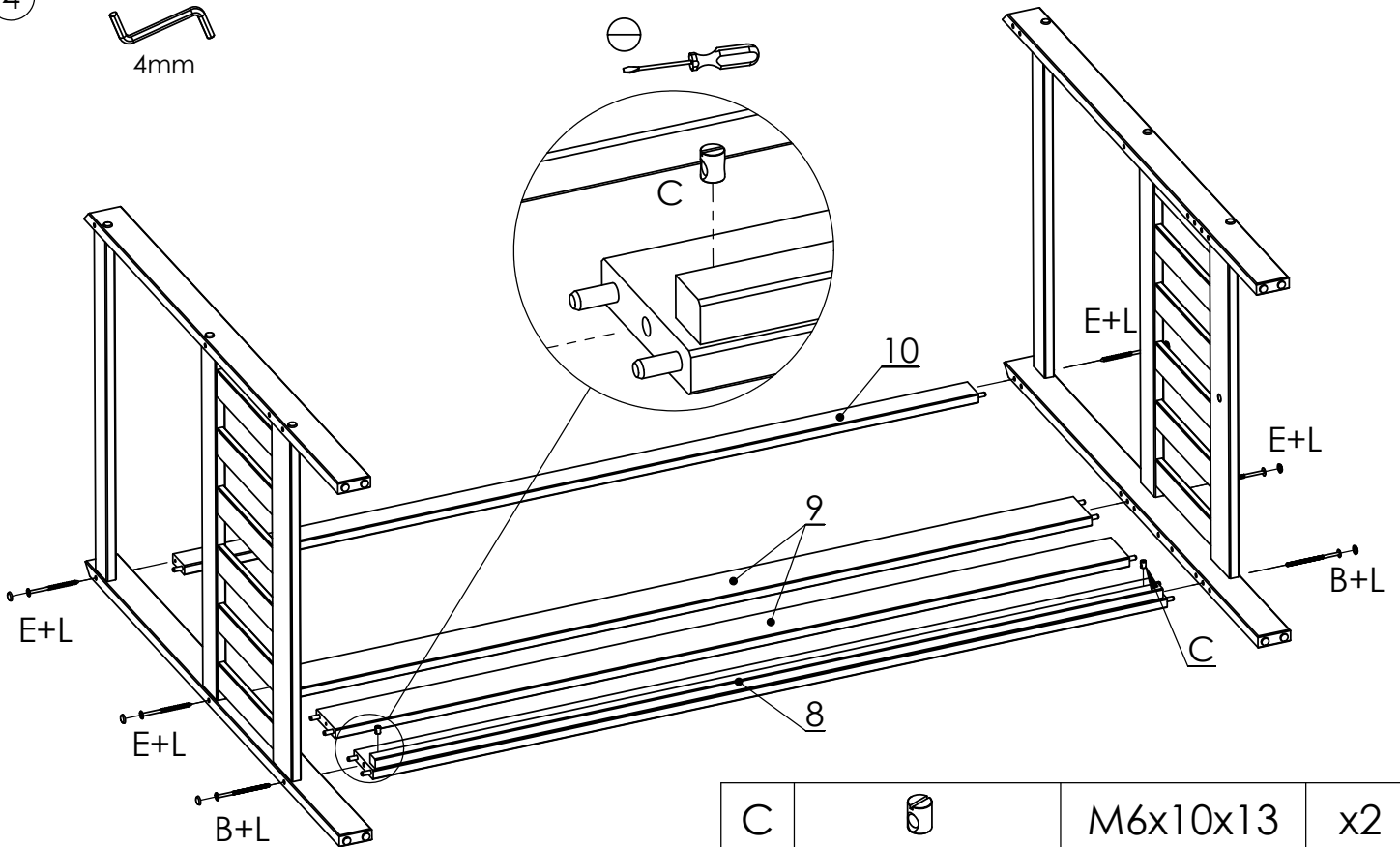
D		6,3x60	x6
L		D15x18	x6
M		17x3	x4




3




D		6,3x60	x6
L		D15x18	x6
M		17x3	x4

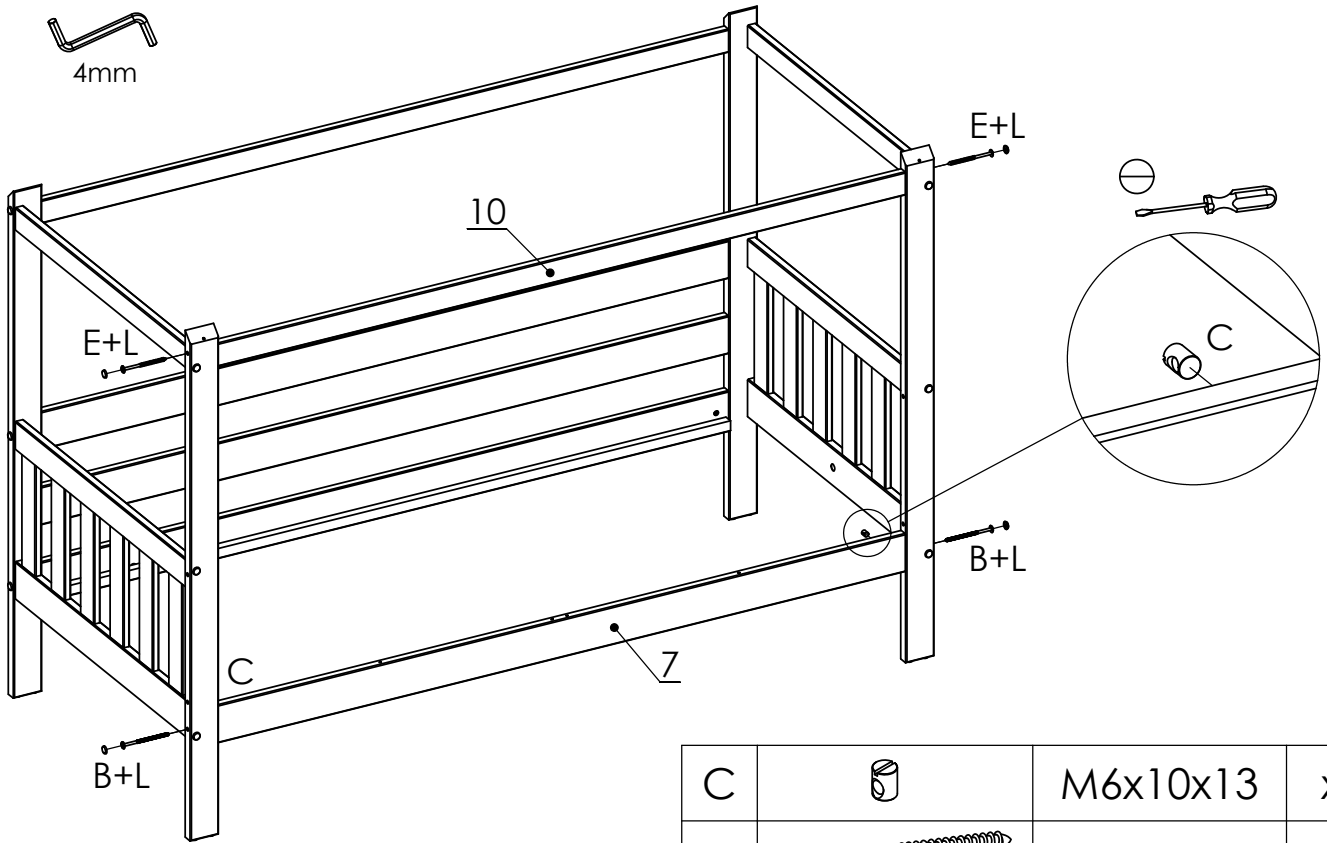
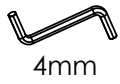
4



C		M6x10x13	x2
E		6,3x105	x4
L		D15x18	x6

B		M6x110	x2
---	---	--------	----

5



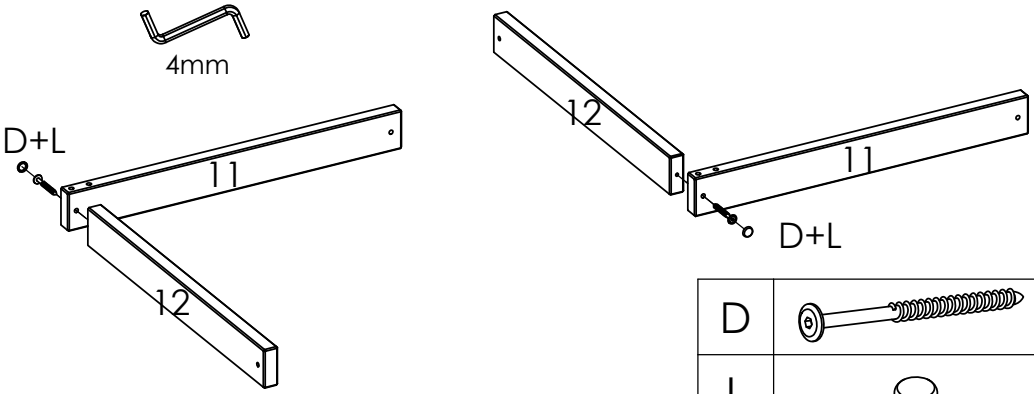
C		M6x10x13	x2
E		6,3x105	x2
L		D15x18	x4

B



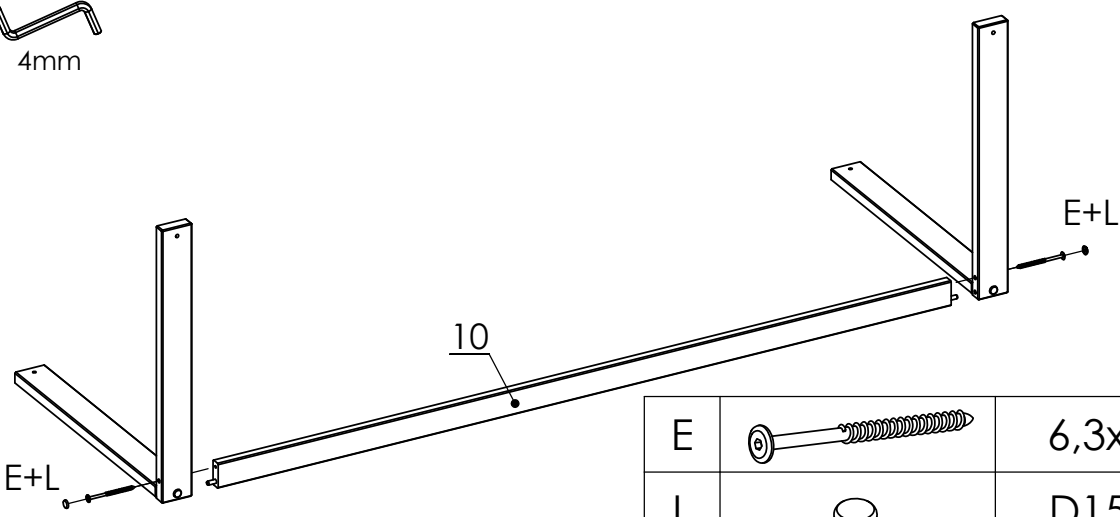
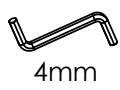
M6x110 x2

6



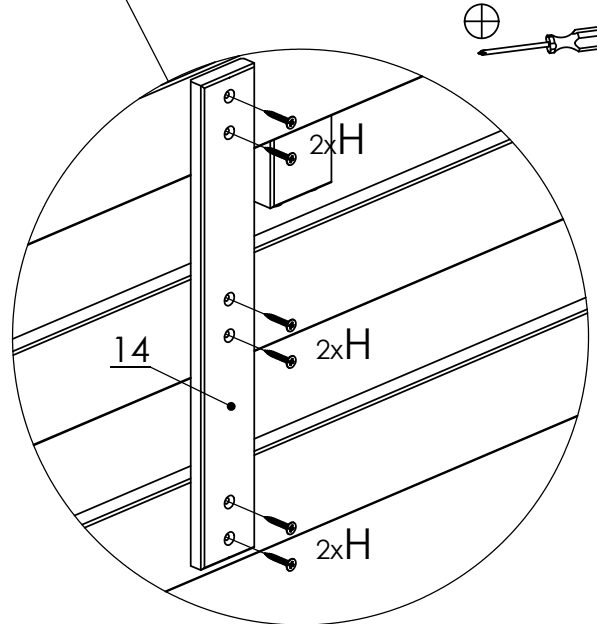
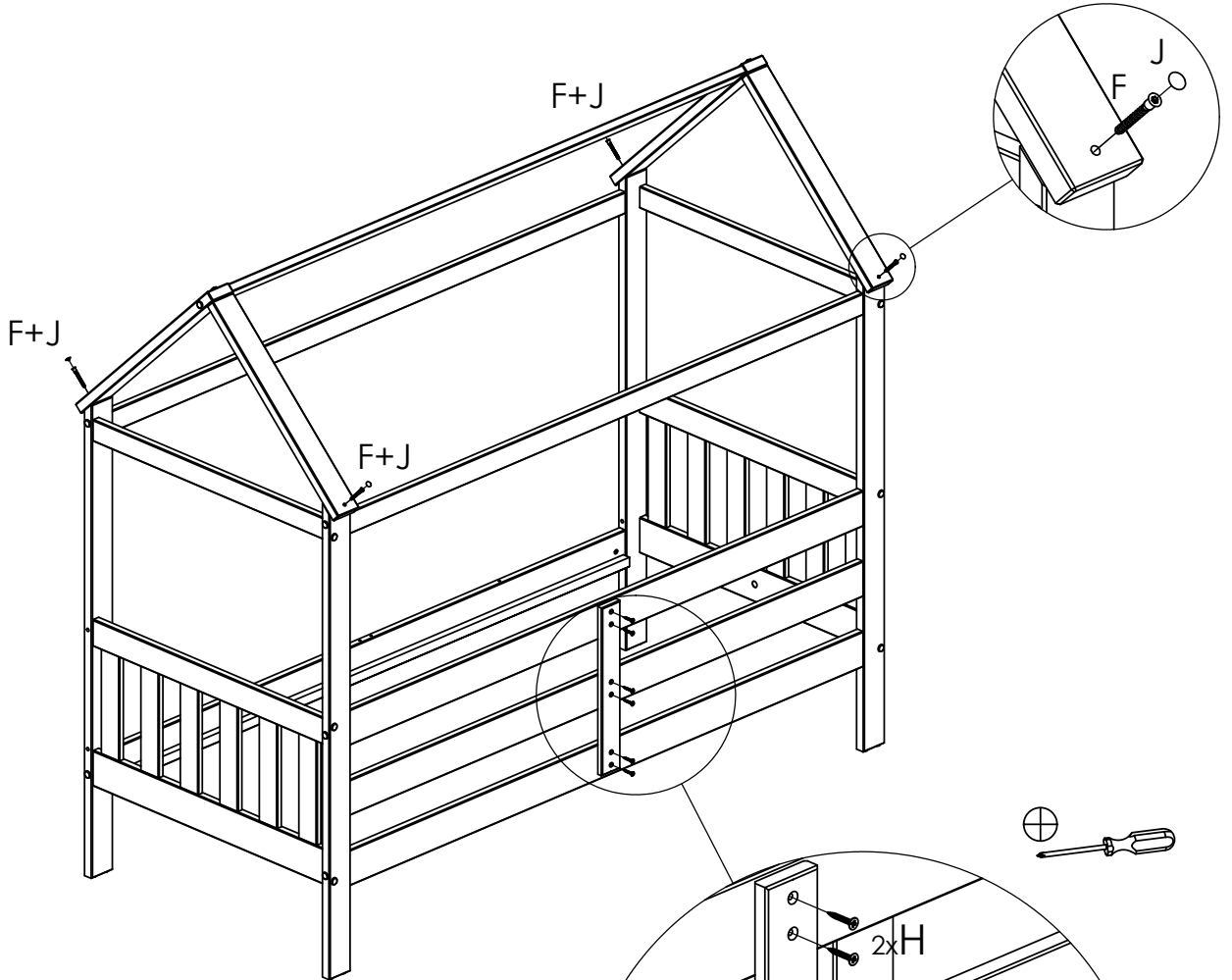
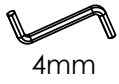
D		6,3x60	x2
L		D15x18	x2

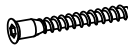


7



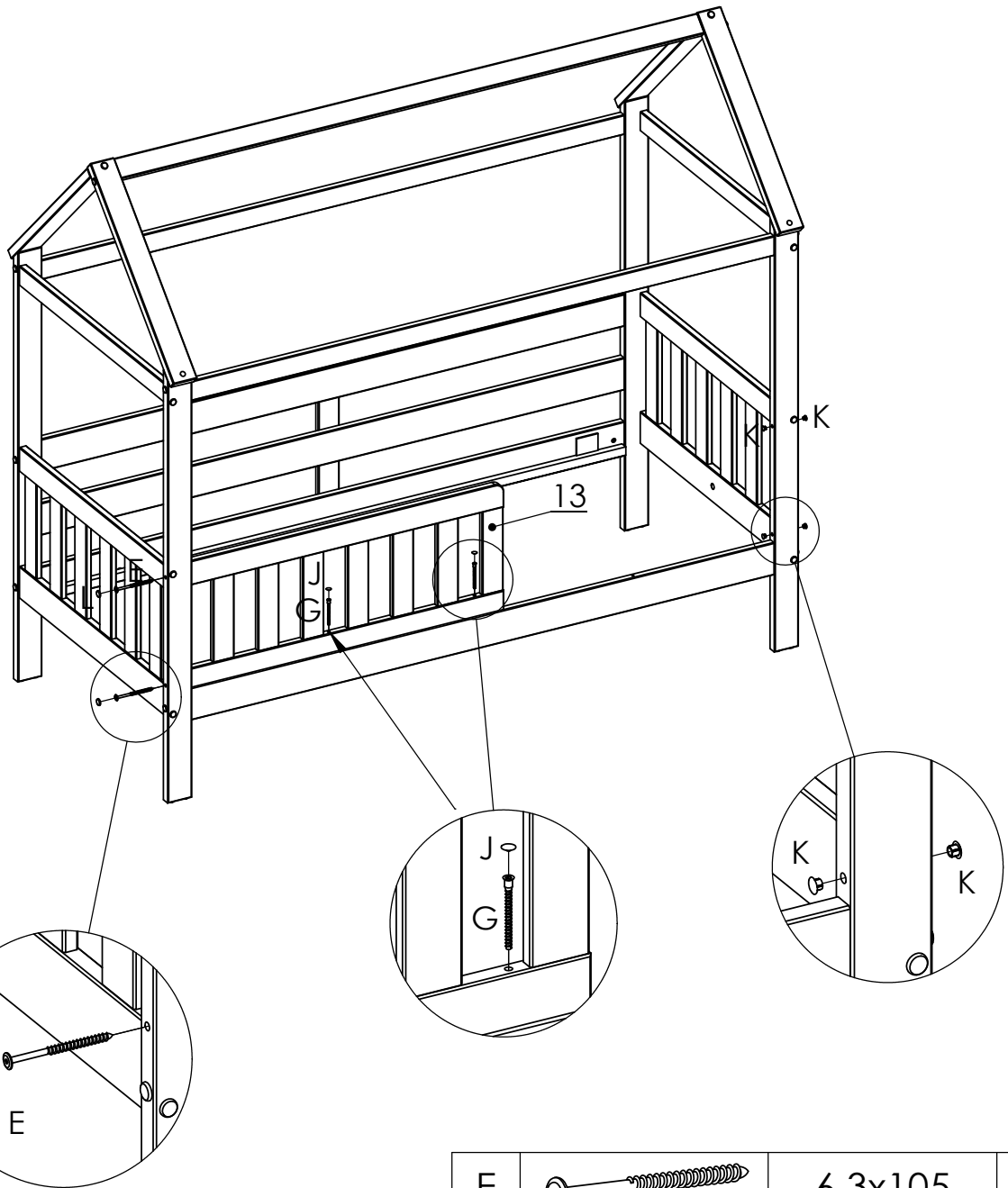
E		6,3x105	x2
L		D15x18	x2


8

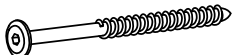





F		7x50	x4
J		D4x13	x4
H		5x30	x6

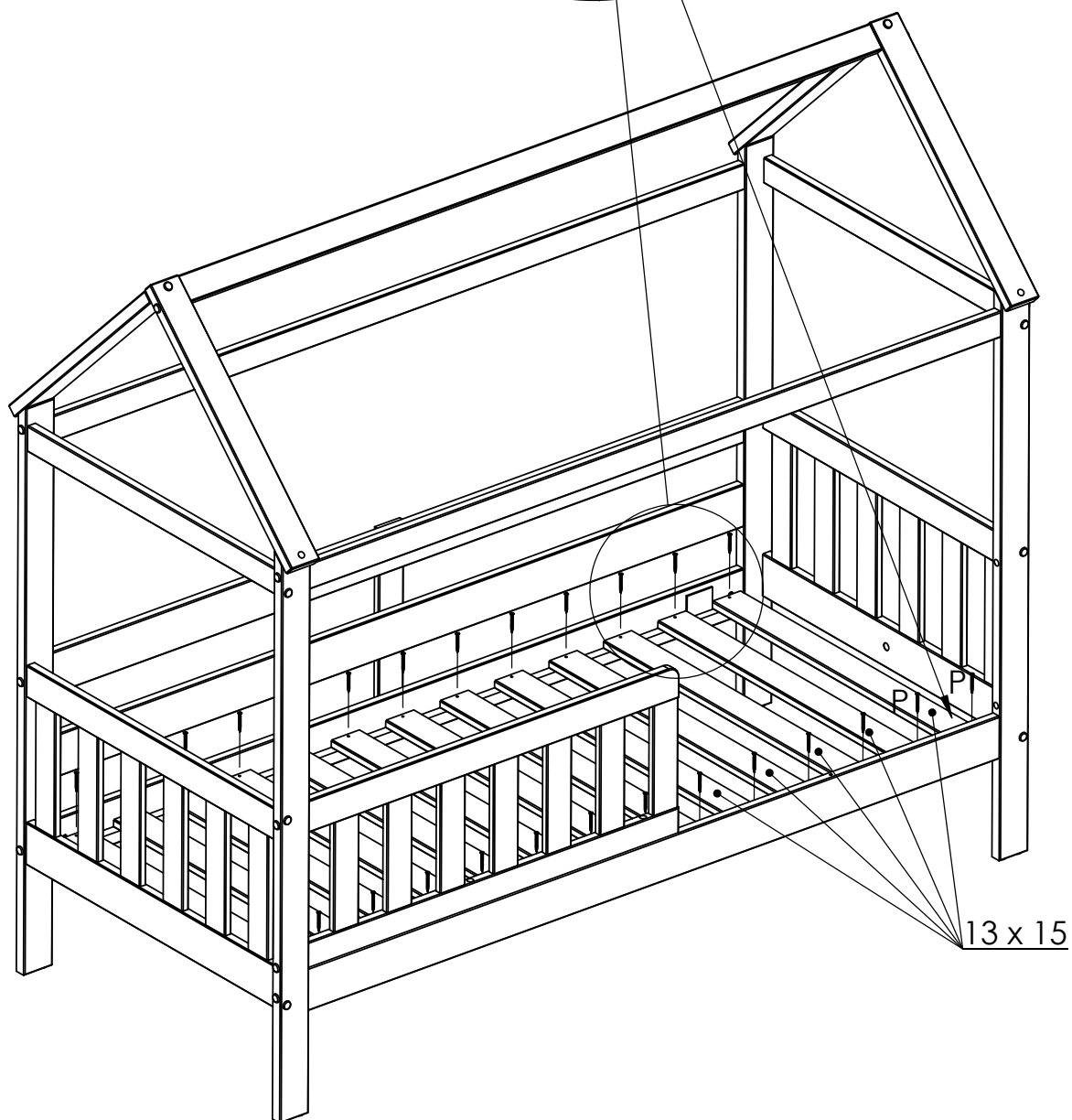
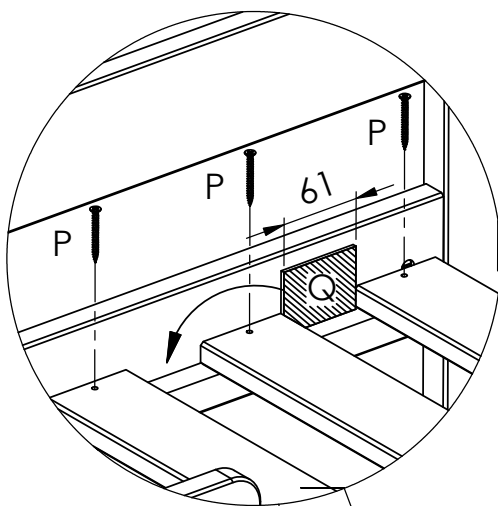
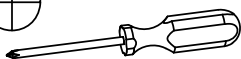
9





K		D8x13	x4
---	---	-------	----

E		6,3x105	x2
G		7x70	x2
J		D4x13	x2
L		D15x18	x2

10



P		3,5x40	x26
Q		61x47x30	x2