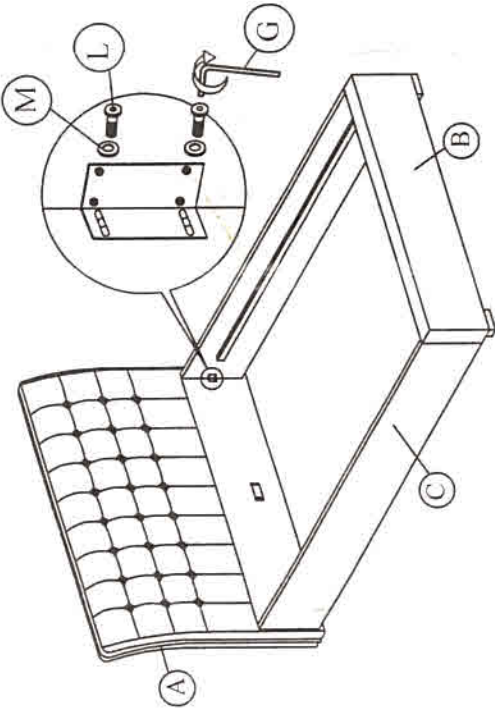
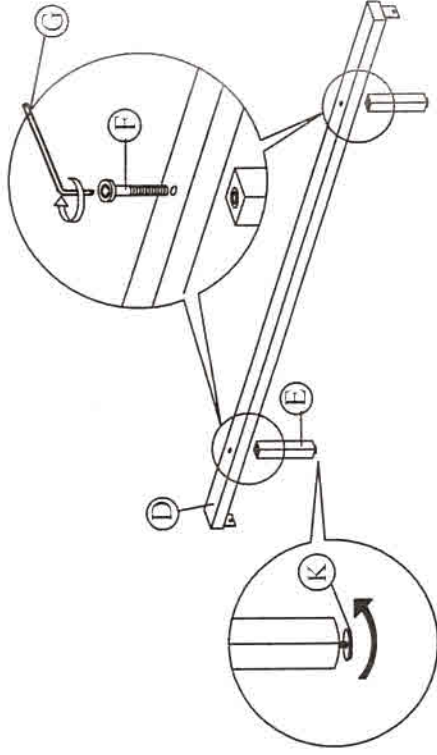


ASSEMBLY INSTRUCTION

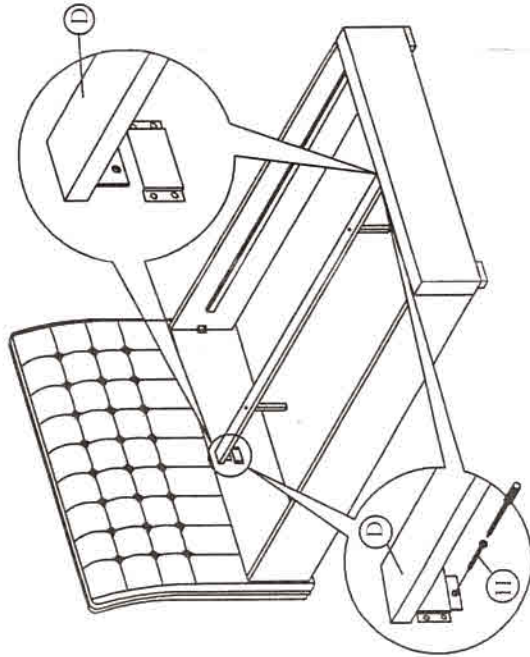
Step 1: Tighten the screws and flat washers to the headboard (A) and footboard (B).



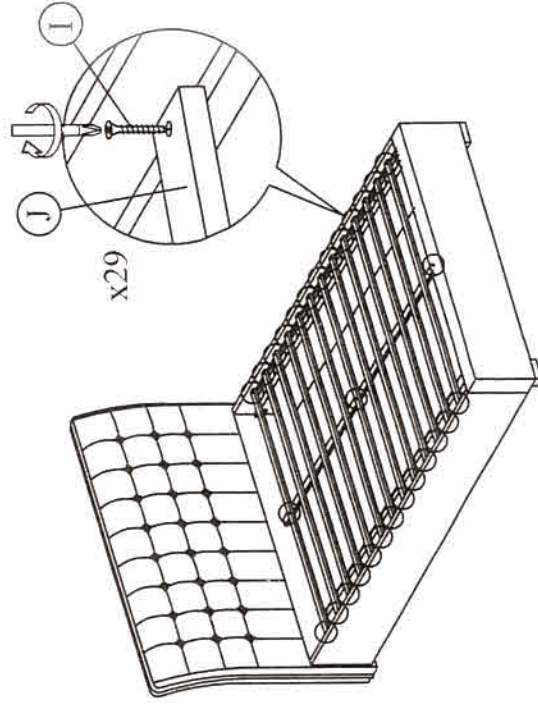
Step 2: Attach the support legs (E) to the center rail (D) of the bed as shown.



Step 3: Slide the center rail (D) to the headboard (A) and footboard (B). Tighten screws (H) using screw driver (not included) to the headboard (A) and footboard (B).



Step 4: Affix the Slat (J) to the side rail support wood and the center rail (D).



DEL :CF 8767 (4'6")

	1 pc
	1 pc
	2 pcs
	1 pc
	2 pcs
	2 pcs
	1 pc
	2 pcs
	29 pcs
	1 pc
	2 pcs
	8 pcs
	8 pcs