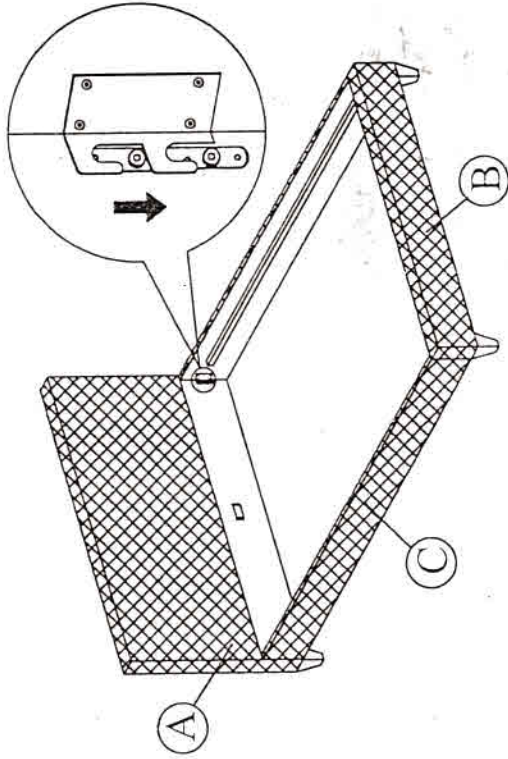
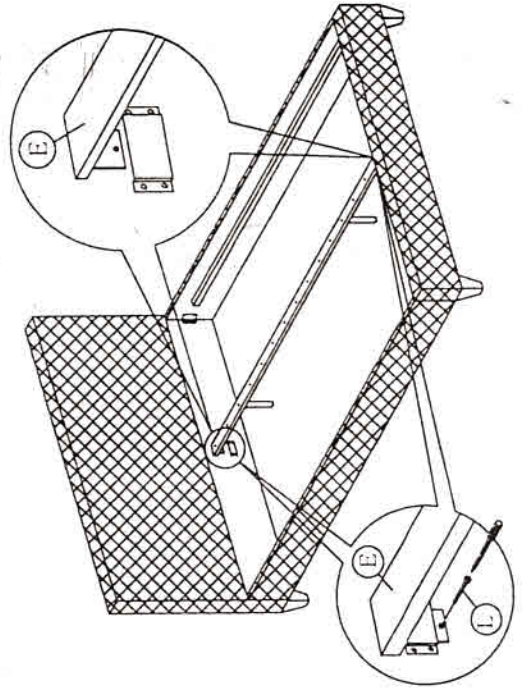


# ASSEMBLY INSTRUCTION

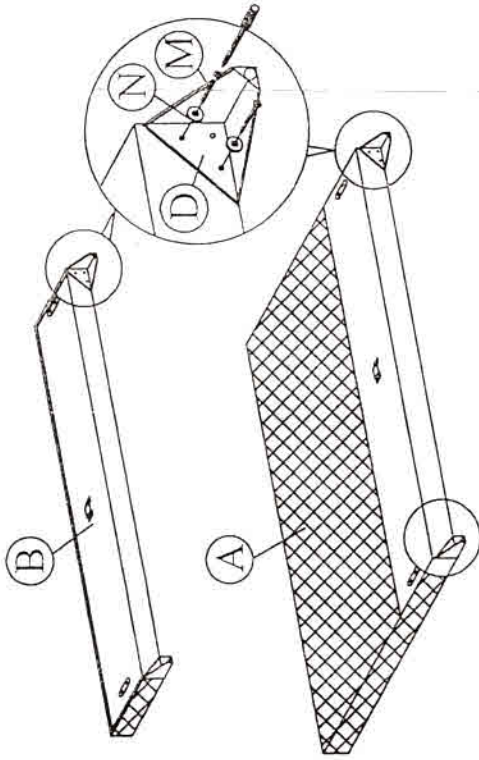
Step 2: Attach side rail (C) to headboard (A) and footboard (B) by pushing the bracket down to fit it.



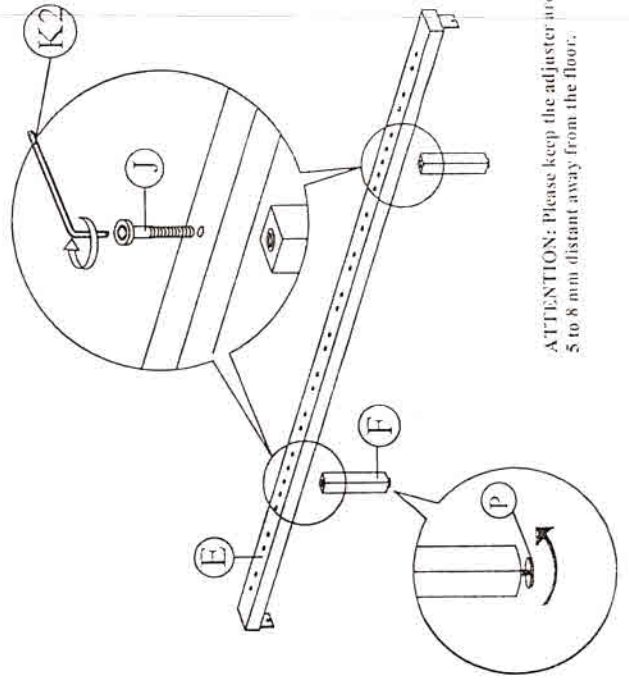
Step 4: Slide the center rail (E) to the headboard (A) and footboard (B). Tighten screws (L) using screw driver (not included) to the headboard (A) and footboard (B).



Step 1: Tighten the legs (D) to both headboard (A) and footboard (B) as shown.



Step 3: Attach the support legs (F) to the center rail (E) of the bed as shown.



ATTENTION: Please keep the adjuster around 5 to 8 mm distant away from the floor.

DEL: CF 8736 (4'6")	1 pc	Headboard
	1 pc	Footboard
	2 pcs	Side Rail
	4 pcs	Leg
	1 pc	Center Rail
	2 pcs	Support Leg
	26 pcs	Slat
	13 pcs	Middle Holder
	26 pcs	End Holder
	2 pcs	JCIIC M6 X 40
	1 pc	K1
	2 pcs	CSK M4 x 25mm
	11 pcs	CSK M4 x 20mm
	8 pcs	Flat Washer
	1 pc	Support Slat (3 Holes)
	2 pcs	Adjuster

Step 5: Affix the Stiffener Slat (O) to the side rail support wood and the center rail (E) . Tighten all the 4 corner ,follow by assembly of the slat holders with LVL slats as shown.

