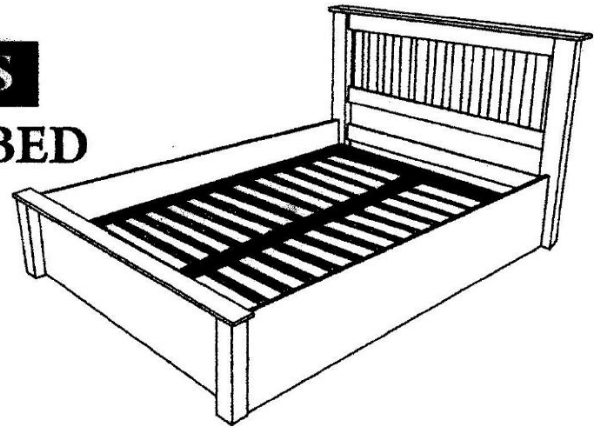


ASSEMBLY INSTRUCTIONS

6FT SOLID OAK STORAGE BED



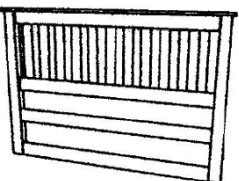

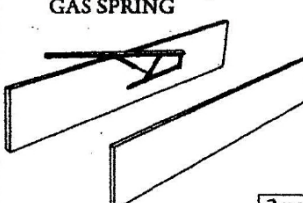
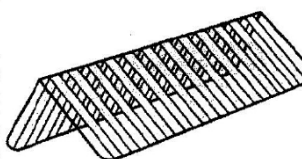


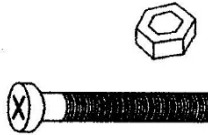
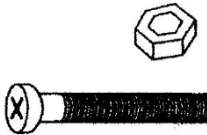
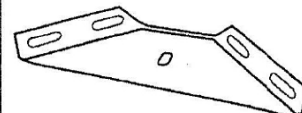

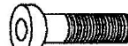
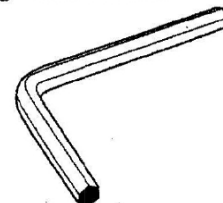

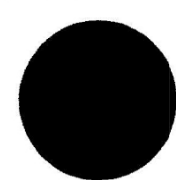
2 Person Assembly Required

PLEASE READ THESE INSTRUCTIONS CAREFULLY AND CHECK ALL PARTS INCLUDING HARDWARE ARE PRESENT BEFORE COMMENCING ASSEMBLY. DO NOT FULLY TIGHTEN BOLTS OR NUTS UNTIL THE WHOLE BED IS ASSEMBLED. DO NOT OVER TIGHTEN BOLTS OR NUTS TO AVOID DAMAGE TO THREADS.

WARNING:

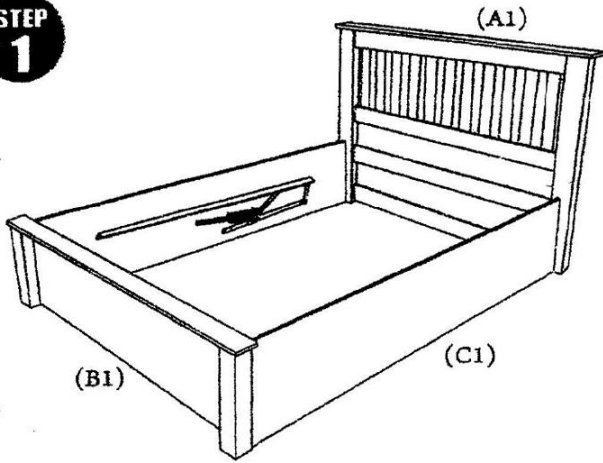
- 1) THE FRAME WILL NEED TO BE PULLED DOWN WITH SOME FORCE TO RELEASE HYDRAULIC GAS. THIS IS NORMAL FOR ITS FIRST TIME USE.
- 2) THIS ITEM COULD BE DANGEROUS IF INCORRECTLY ASSEMBLED.
- 3) THE SMALL PARTS INSIDE THE HARDWARE BOX ARE NOT TOYS, SMALL PARTS CAN BE DANGEROUS TO AVOID CHOKING PLEASE KEEP AWAY FROM BABIES, CHILDREN AND PETS.
- 4) PLEASE DO NOT LET CHILDREN OR PETS INSIDE THE STORAGE AREA AT ANYTIME.

HARDWARE AND PARTS CHECK LIST

A1 HEADBOARD  1 pc	B1 FOOTBOARD  1 pc	C1 SIDE RAIL (L&R) WITH GAS SPRING  2 pcs	D1 FOLDABLE METAL FRAME  1 pc
E1 HORIZONTAL SUPPORT BAR  2 pcs	F1 PLYWOOD BASE BOARD  2 pcs	D2 BASE SUPPORT BOLTS & NUTS  M8 x 60mm 4 pairs	D3 BASE SUPPORT BOLTS & NUTS  M8 x 70mm 4 pairs
G1 CORNER SUPPORT  2 pcs	S1 BOLTS  M8 x 20mm 16 pcs	S2 BOLTS  M8 x 16mm 8 pcs	M5 ALLEN KEY  1 pc
Y SPANNER  1 pc	Z ROUND CARPET  8 pcs	Remark : <ul style="list-style-type: none"> • Do Not Lift The Metal Frame Without Mattress • Stick the round carpet on (G1) if there is knocking sound 	

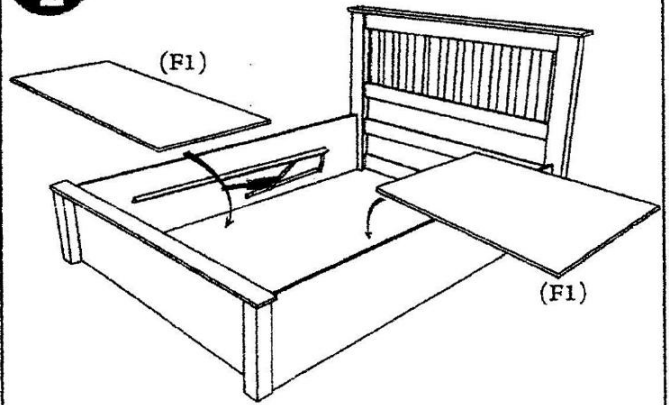
1 FT SOLID OAK STORAGE BED

STEP 1



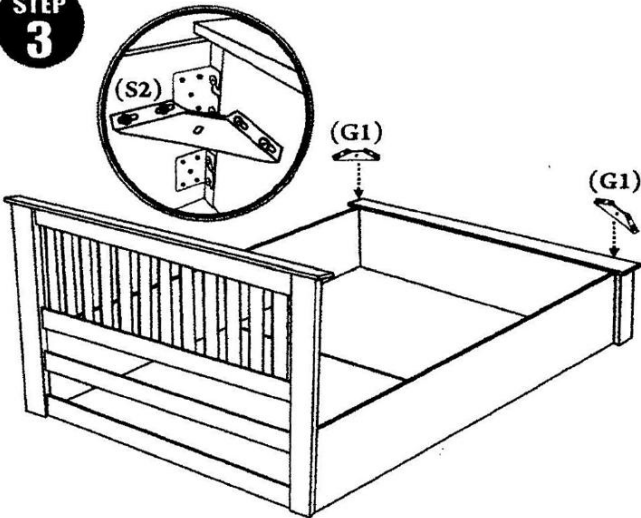
Attach the side rails(C1) to the headboard(A1) with bolts(S1). Secure into position using the supplied allen key to tighten.
Repeat to attach to the footboard(B1).

STEP 2



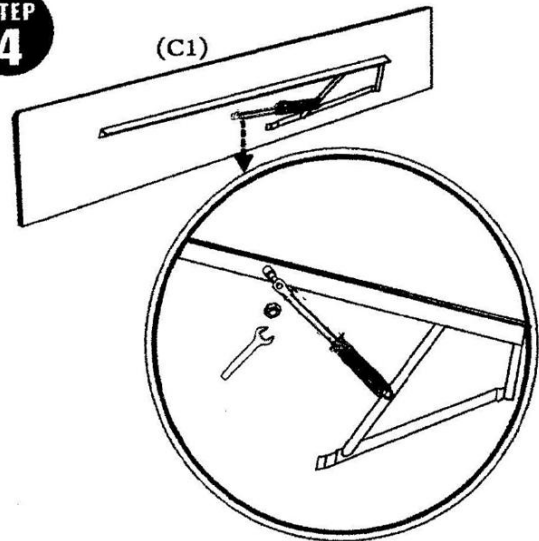
Place the plywood base board (F1) into storage area (as shown).

STEP 3



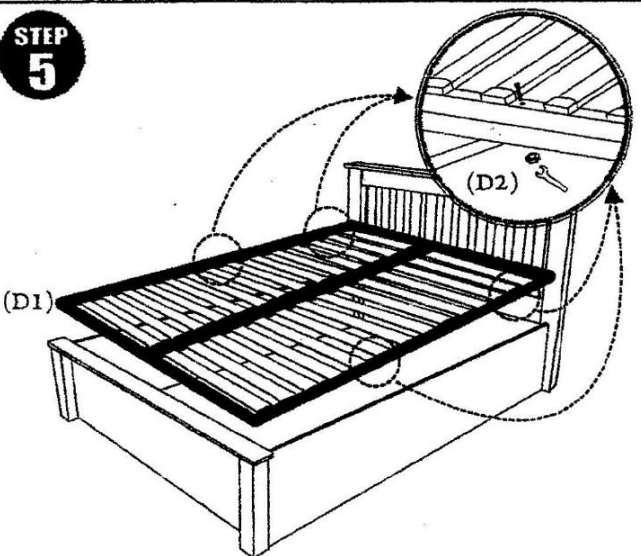
Fasten the corner support (G1) onto both the side rails and footboard with bolt (S2).

STEP 4



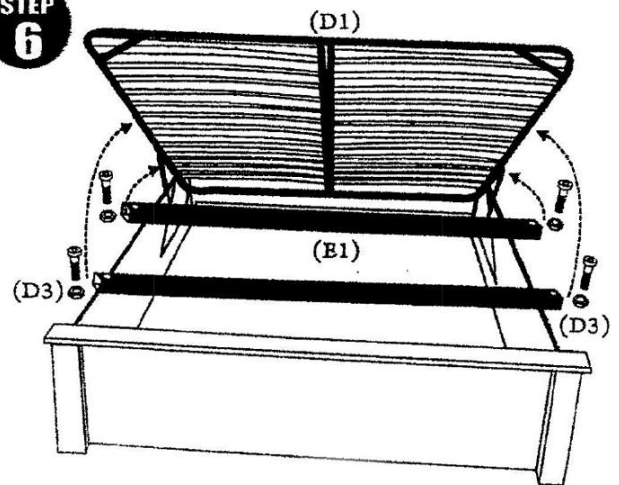
Attach the pre-fitted gas spring to the side rail brackets with pre-fitted bolt.

STEP 5

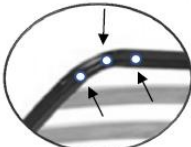


Lift the metal frame (D1) into place and secure to the mechanism (D2) on the side rail.

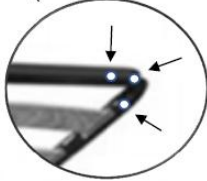
STEP 6



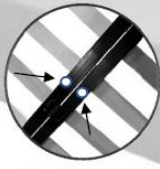
Attach the horizontal support bar (E1), under the metal frame (D1) (as shown) with mechanism (D3).



Stick 3 pieces of cushioning felt underneath of metal frame to reduce the touching noise



Stick 3 pieces of cushioning felt underneath of metal frame to reduce the touching noise



Stick 2 pieces of cushioning felt underneath of metal frame to reduce the touching noise between the CROSS BAR and metal frame



corner bracket S2
↑
assembly direction

