

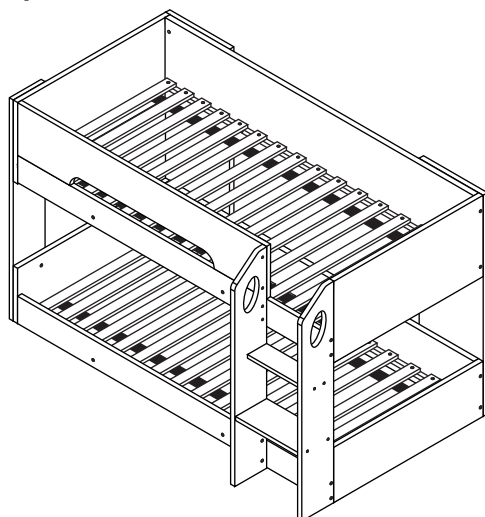
ASSEMBLY INSTRUCTIONS

1 / 20

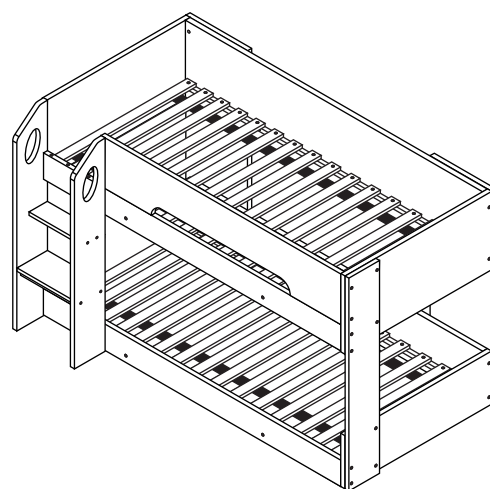
MODEL : CK 6280
PRODUCT SIZE : 920mm x 1930mm

Thank you for purchasing this product. Before starting assembly we suggest you spend a short time reading through this leaflet, then follow the simple step by step guide.
Two persons are needed to assemble this product.

Option A



Option B



* Approximately 1 Hours



* 2 People Required

IMPORTANT - READ CAREFULLY - RETAIN FOR FUTURE REFERENCE

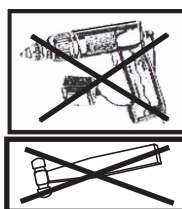
- a) **WARNING** "High beds and the upper bed of bunk beds are not suitable for children under six years due to the risk of injury from falls";
- b) **WARNING** "Bunk beds and high beds can present a serious risk of injury from strangulation if not used correctly. Never attach or hang items to any part of the bunk bed that are not designed to be used with the bed, for example, but not limited to ropes, strings, cords, hooks, belts and bags"
- c) **WARNING** "Children can become trapped between the bed and the wall, a roof pitch, the ceiling, adjoining pieces of furniture (e.g. cupboards) and the like. To avoid risk of serious injury the distance between the top safety barrier and the adjoining structure shall not exceed 75 mm or shall be more than 230 mm";
- d) **WARNING** "Do not use the bunk bed/high bed if any structural part is broken or missing;
- e) always follow the manufacturer's instructions;
- f) This bunk bed is suitable for a single mattress or foam bed 920mm x 1870mm. Thickness of mattress should not exceed 200mm.
- g) Ventilation of the room is necessary in order to keep the humidity low and to prevent mould in and around the bed;
- h) all bunk beds and high beds intended to be assembled by other than the manufacturer or his/her representative shall include assembly instructions including a list of the parts supplied and details of any tools required to assemble the bed;
- i) Use ladder for entering and leaving upper bunk.
- j) The bunk bed should be checked periodically by the owner to ensure that the guardrail, ladder and other components are maintained in the correct position and state of repair and that all connectors are tight.
- k) This bunk bed conforms to BS EN 747-1 : 2012 + A1 : 2015

Tools Required For Assembly



Philips Screw Driver

Tools Not Use



DO NOT USE POWER TOOLS TO ASSEMBLE THIS PRODUCT. USE OF POWER TOOLS WILL INVALIDATE ANY CLAIM AND MAY DAMAGE THIS PRODUCT MAKING IT UNSAFE.

DO NOT USE HAMMER

PARTS LIST

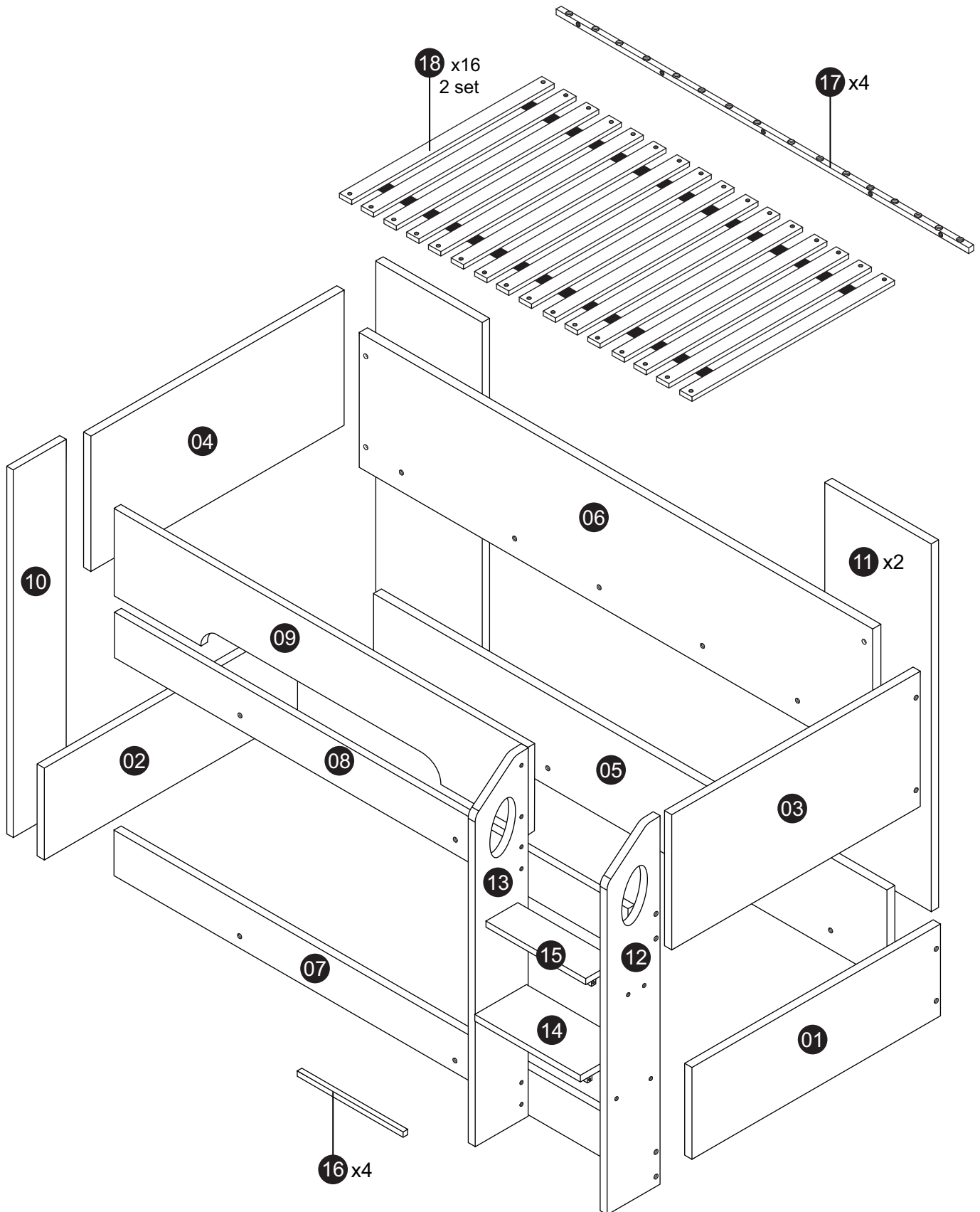
Model: CK 6280

Carton 1 of 3			Carton 3 of 3		
No.	Part Name	Pcs			
			①	CENTER PANEL LOWER (RIGHT)	1
⑤	BACK PANEL (LOWER)	1	②	CENTER PANEL LOWER (LEFT)	1
⑥	BACK PANEL (UPPER)	1	③	CENTER PANEL UPPER (RIGHT)	1
⑦	SIDE PANEL (BOTTOM FRONT)	1	④	CENTER PANEL UPPER (LEFT)	1
⑧	SIDE PANEL LONG (TOP FRONT)	1	⑱	LVL BASE (2set)	32
⑨	SIDE PANEL SHORT (TOP FRONT)	1			
⑯	LADDER SUPPORT METAL	4			
⑰	BASE SUPPORT METAL	4			
	FITTING LIST				
	Carton 2 of 3				
⑩	SUPPORT PANEL (LEFT)	1			
⑪	SUPPORT PANEL (BACK)	2			
⑫	RIGHT PANEL (LADDER)	1			
⑬	LEFT PANEL (LADDER)	1			
⑭	1 ST STEP LADDER	1			
⑮	2 ND STEP LADDER	1			

PARTS LIST

3
20




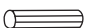


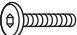









Model: CK 6280



FITTING LIST

Model: CK 6280

Fitting List

No.	Part Name		Pcs
(A)	Cam		4
(B)	Cam Stud (5137)		4
(C)	M8 x 25mm Wood Dowel		2
(D)	M6 x 40mm Wood Dowel		6
(E)	M6 x 12mm Allen Bolt		8
(F)	M6 x 25mm Allen Bolt		20
(G)	M6 x 30mm Allen Bolt		72
(H)	M6 x 35mm Allen Bolt		20
(J)	M6 x 40mm Allen Bolt		8
(K)	M6 x 50mm Allen Bolt		18
(L)	M6 x 70mm Allen Bolt		6
(M)	M6 x 13mm Baller		24
(N)	M6 JCN Nut		12
(P)	Metal Support Plate (White)		2
(S)	M6 Allen Wrech		2
(T)	Sticker (White 13mm)		14

CAUTION

There are many small components used in the construction of this unit. These loose items should be kept away from young children whilst assembling your unit. As an extra precaution, screw cover caps should be permanently fixed in position. (Where applicable)

USEFUL HINTS & TIPS

Two people will be required to assemble this unit

Please keep this assembly instruction for future reference

GUIDE TO ASSEMBLY

Model: CK 6280

STEP 1

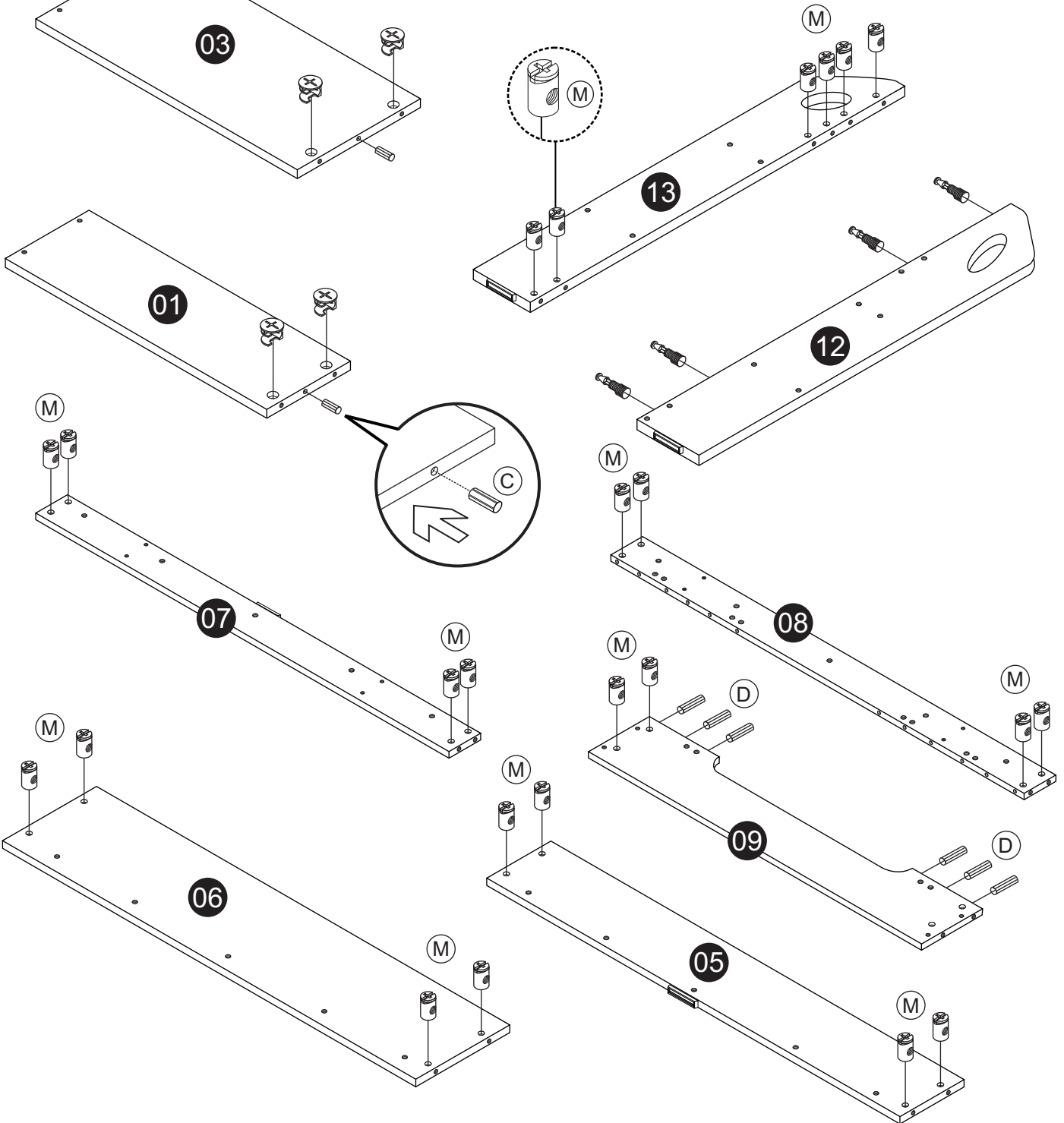
WHEN FITTING CAMS
ENSURE STARTING POSITION IS CORRECT
BEFORE YOU INSERT CONNECTING BOLT
TURN CLOCKWISE UNTIL SECURE

✓ X

↑

CORRECT WRONG

C x 2	B x 4	A x 4
D x 6	M x 24	

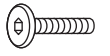


GUIDE TO ASSEMBLY

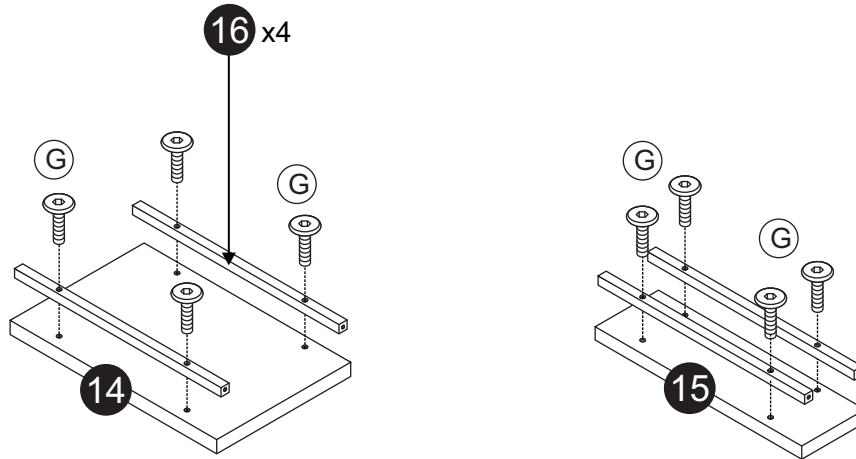
6
20

Model: CK 6280

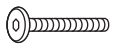
STEP 2



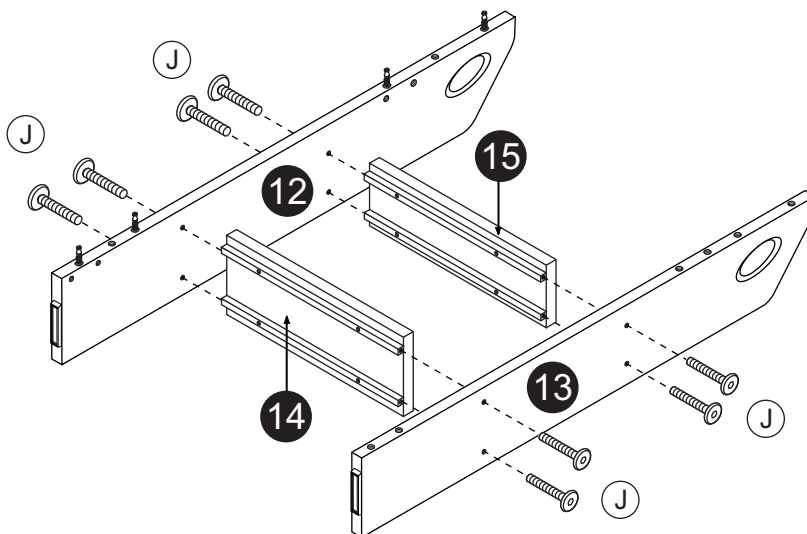
G x 8



STEP 3



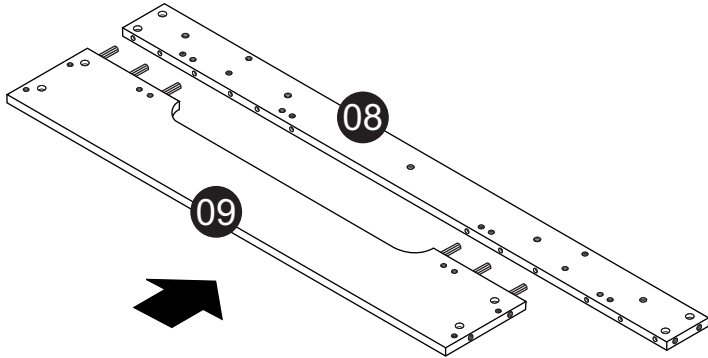
J x 8



GUIDE TO ASSEMBLY

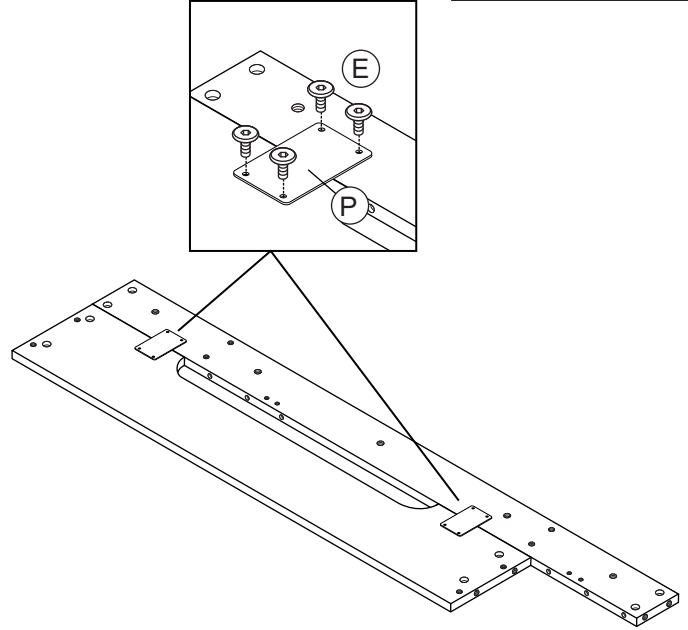
Model: CK 6280

STEP 4



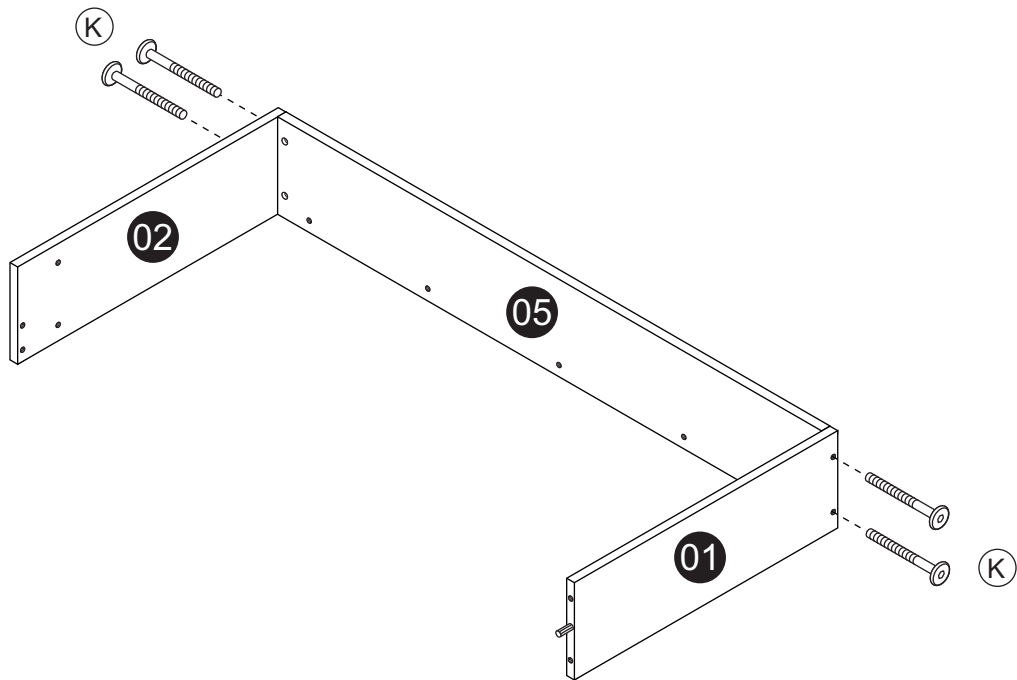
STEP 5

P x 2 E x 8



STEP 6

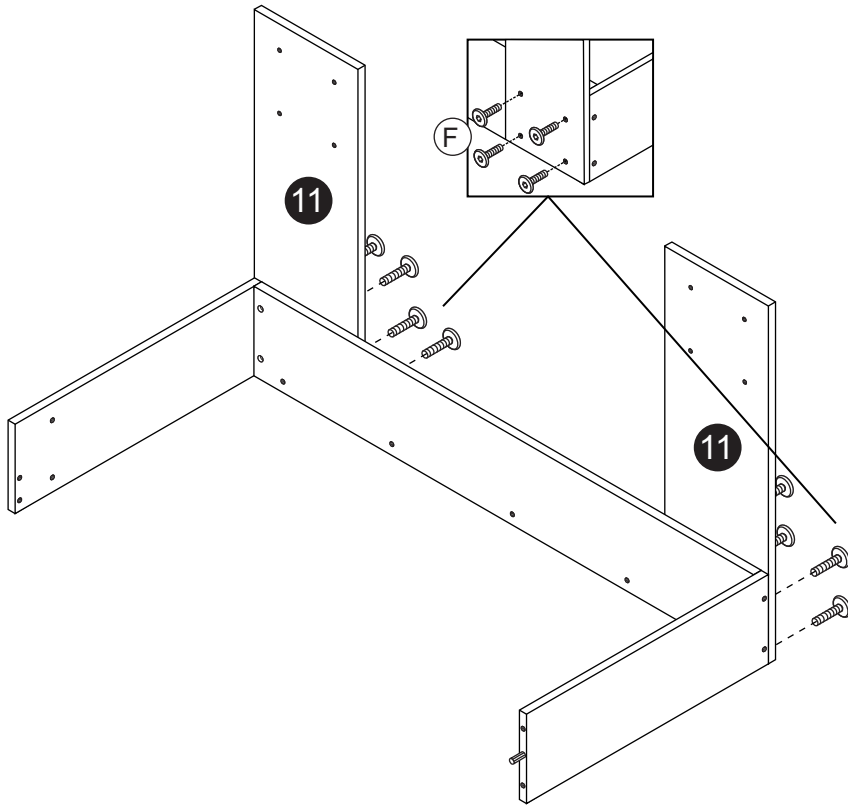
K x 4



GUIDE TO ASSEMBLY

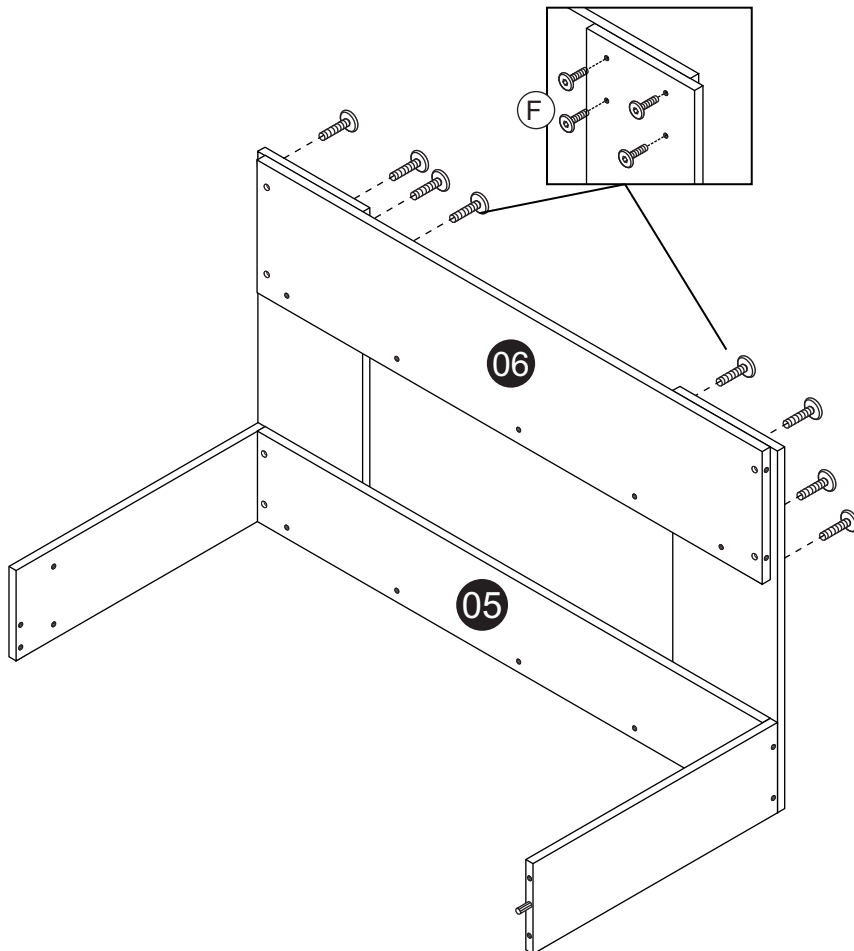
Model: CK 6280

STEP 7



F x 8

STEP 8

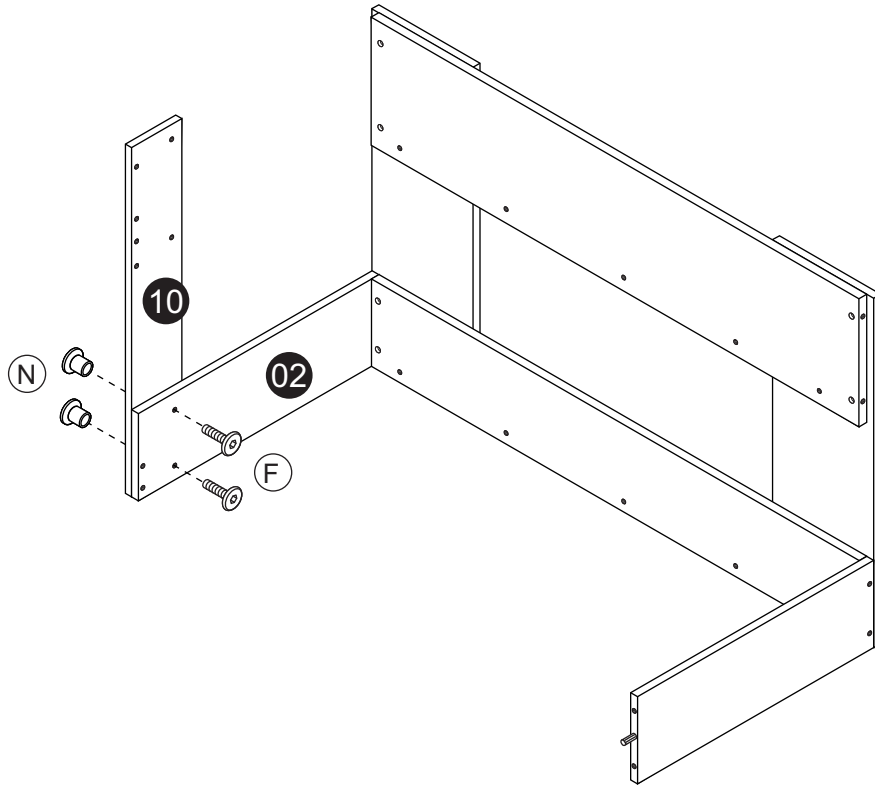



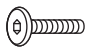
F x 8

GUIDE TO ASSEMBLY

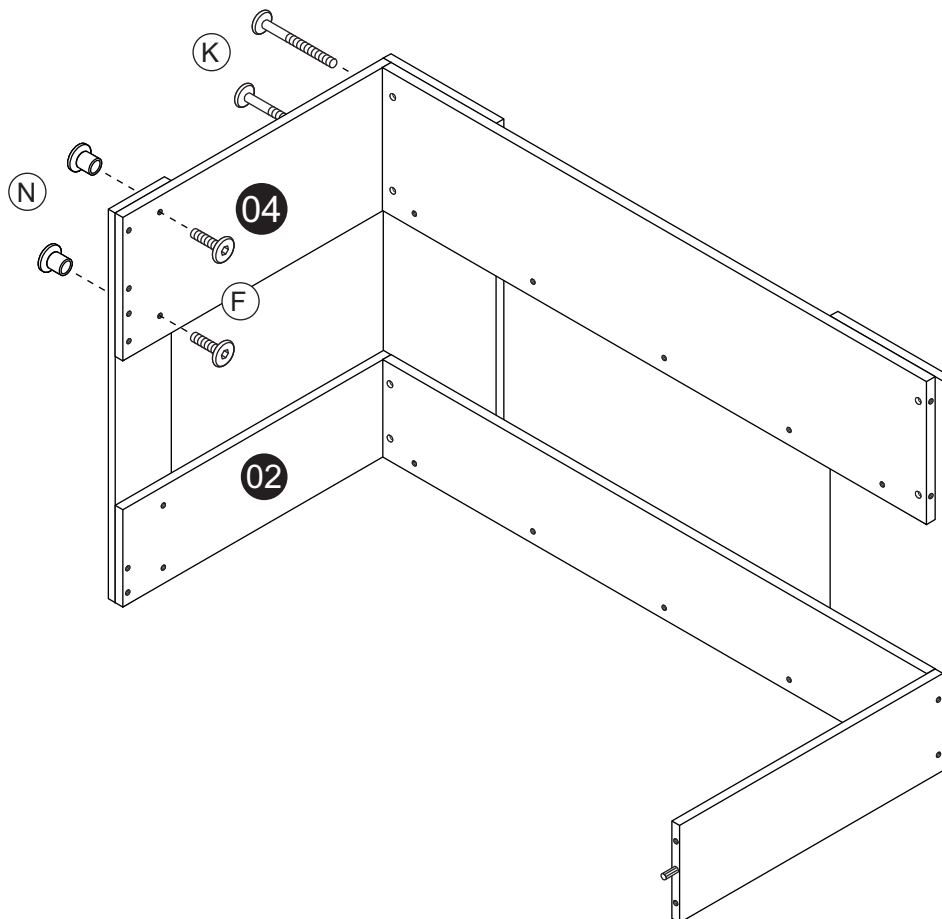
Model: CK 6280



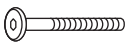
STEP 9



	
N x 2	F x 2

STEP 10




	
N x 2	F x 2
	
	K x 2

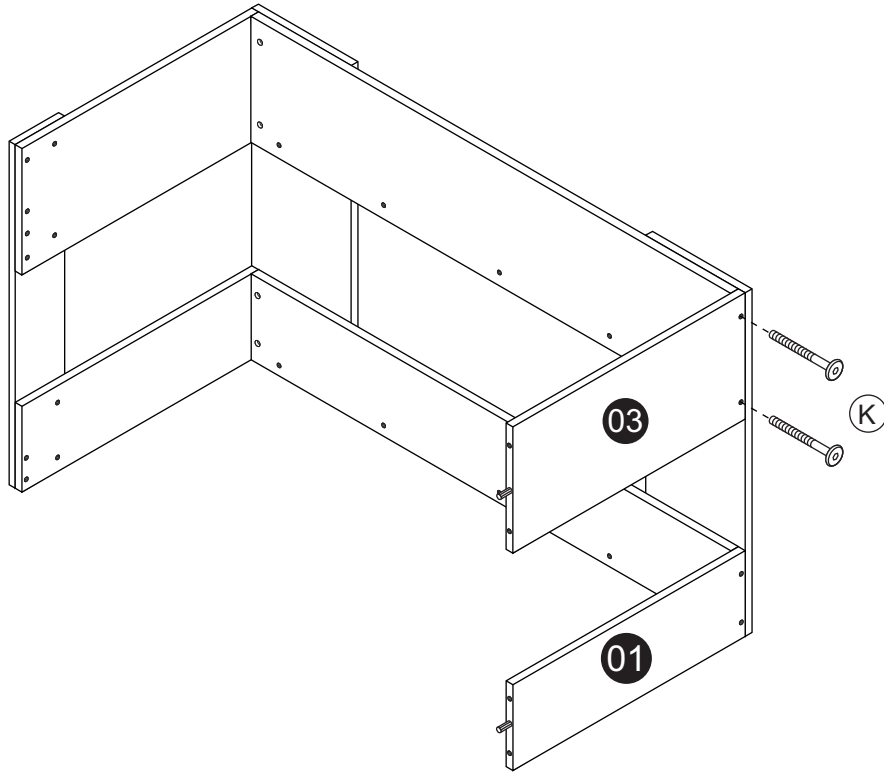
GUIDE TO ASSEMBLY

10
20

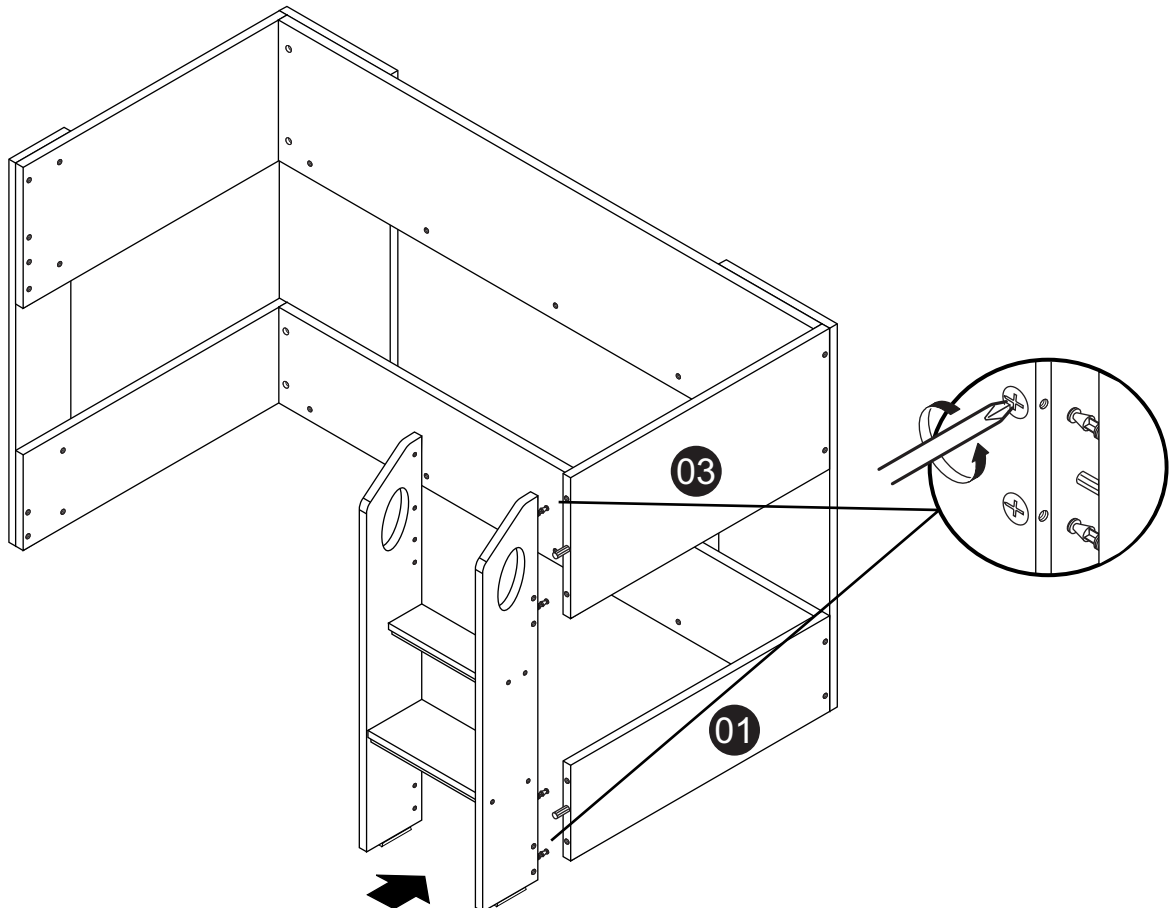
Model: CK 6280

STEP 11


K x 2

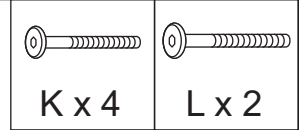
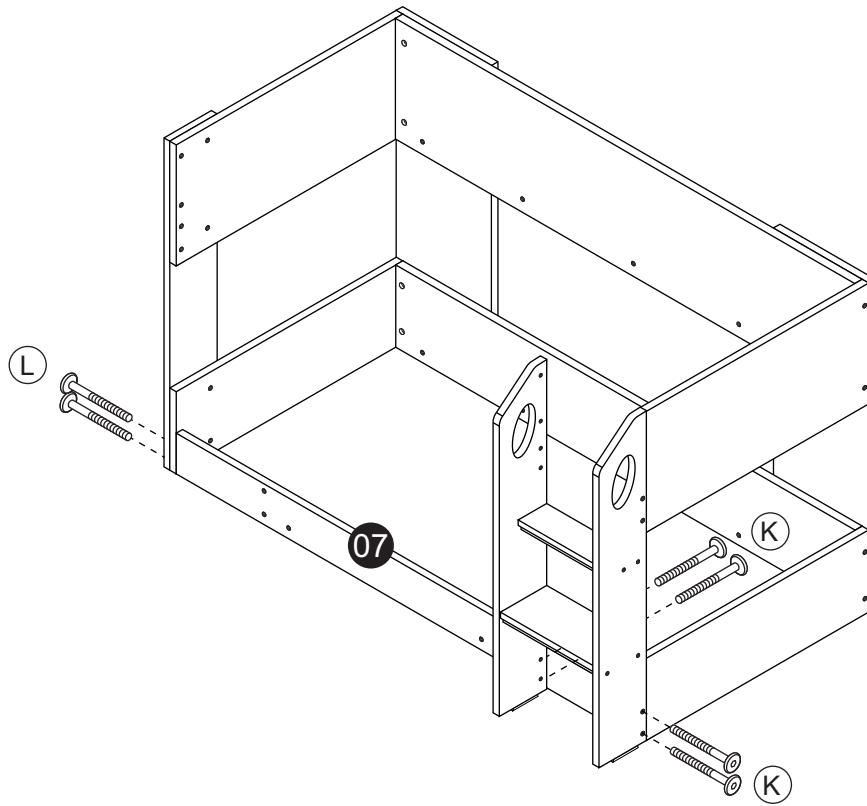


STEP 12

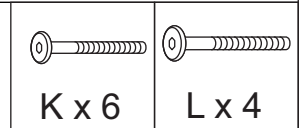
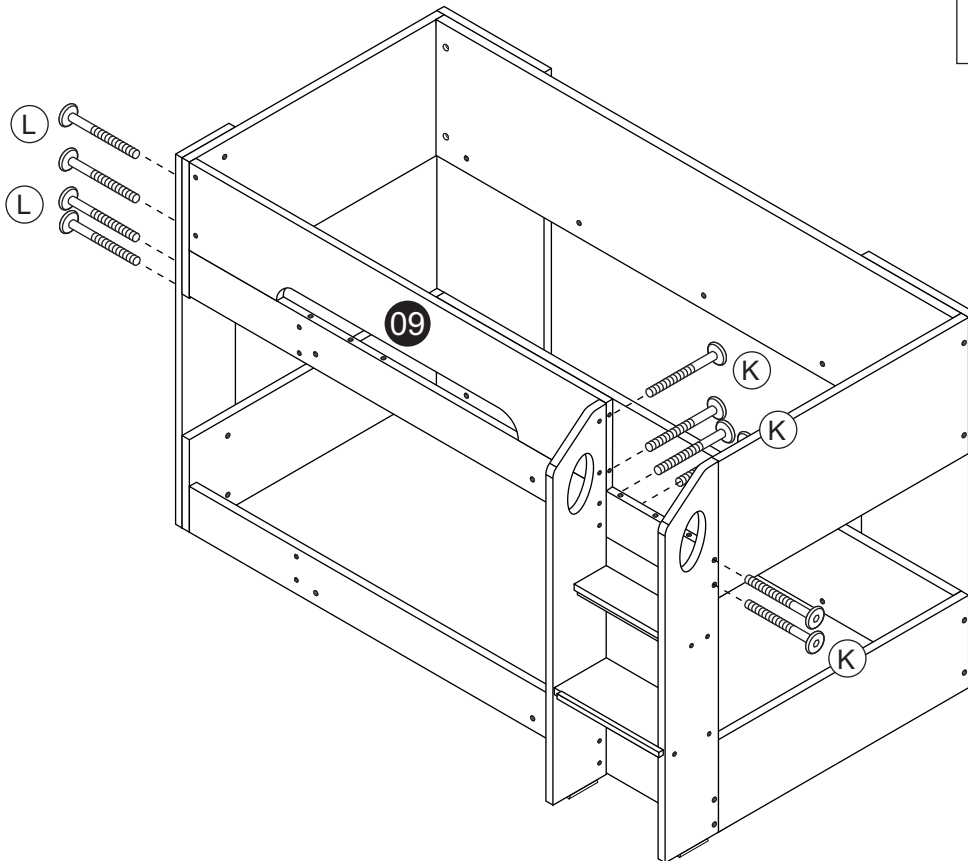


Model: CK 6280

STEP 13



STEP 14

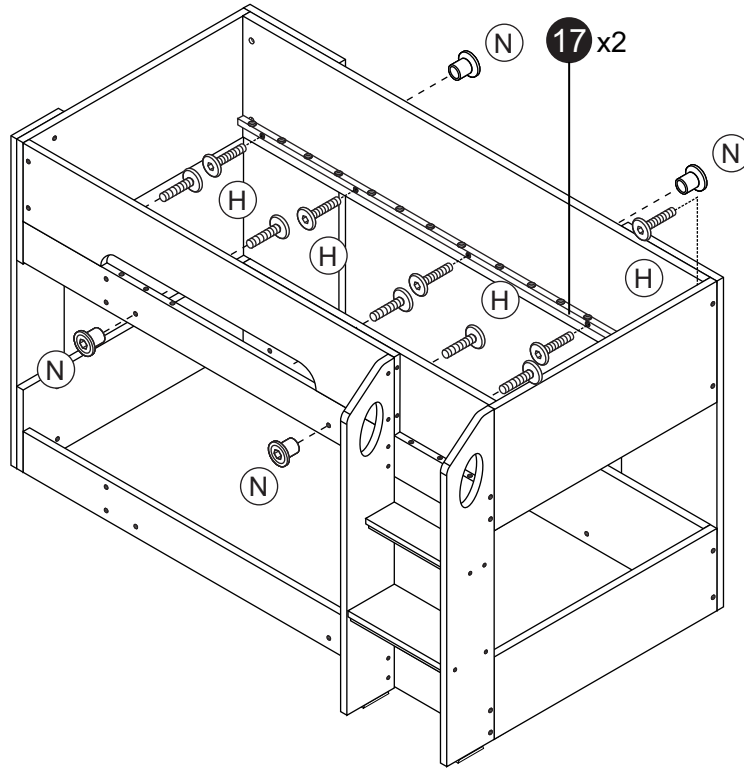


GUIDE TO ASSEMBLY

12
20

Model: CK 6280

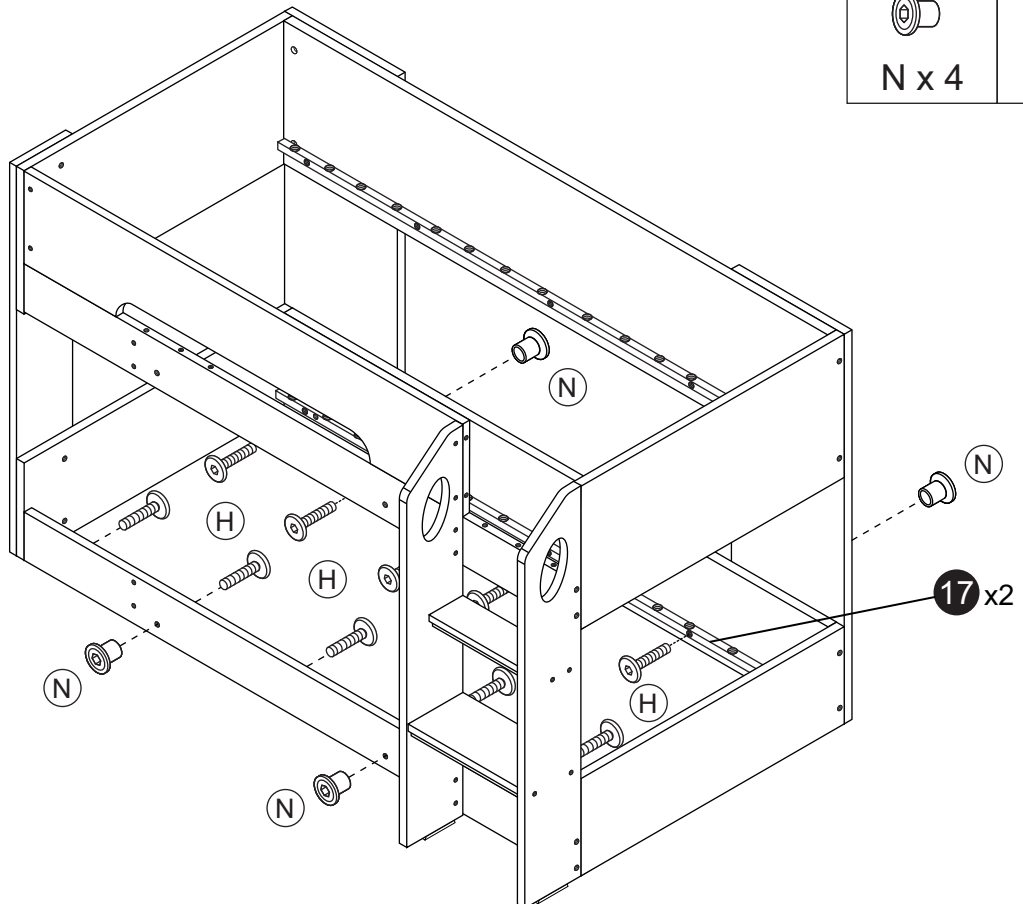
STEP 15




N x 4


H x 10

STEP 16




N x 4

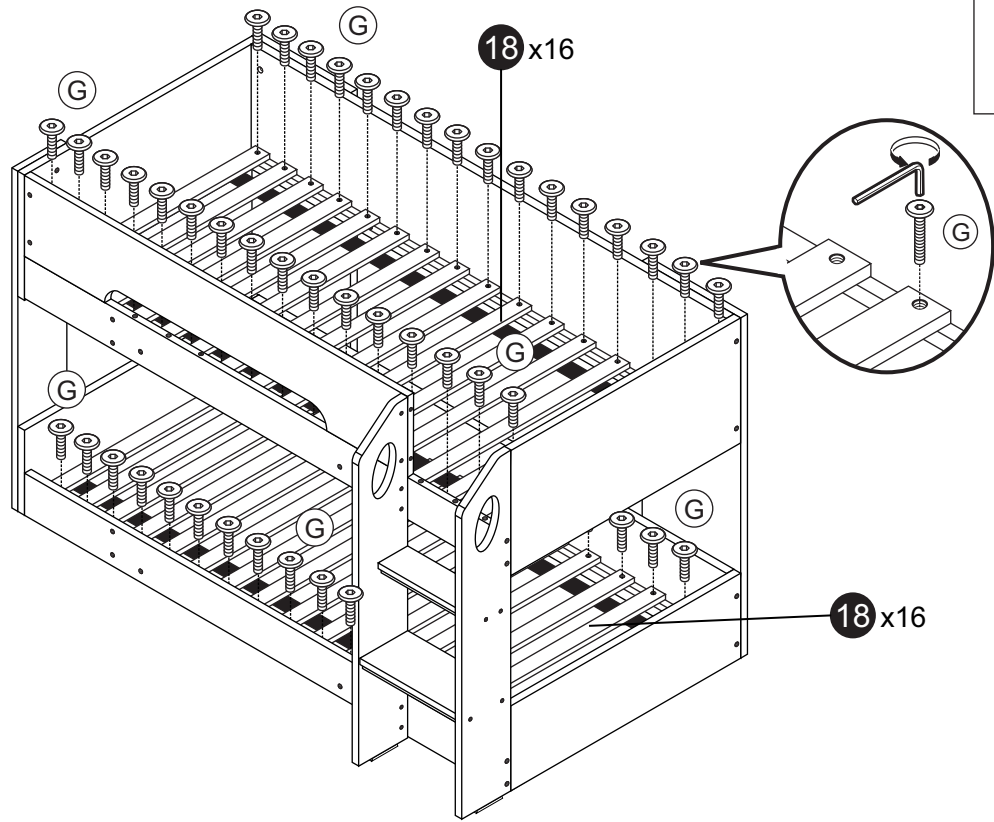

H x 10

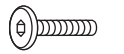
GUIDE TO ASSEMBLY

13
20

Model: CK 6280

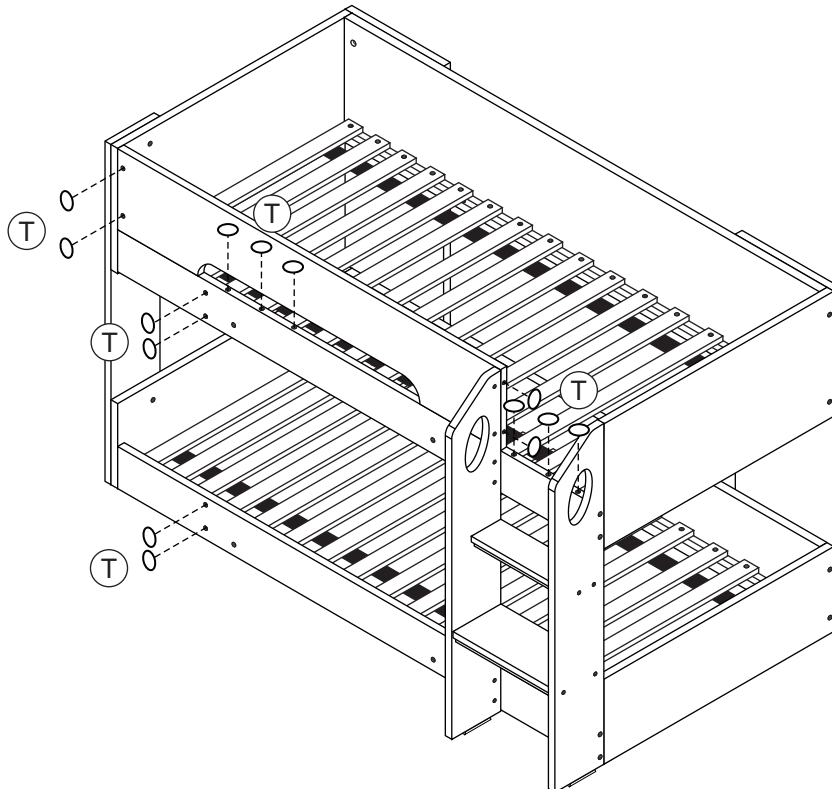
STEP 17




G x 64

18x16

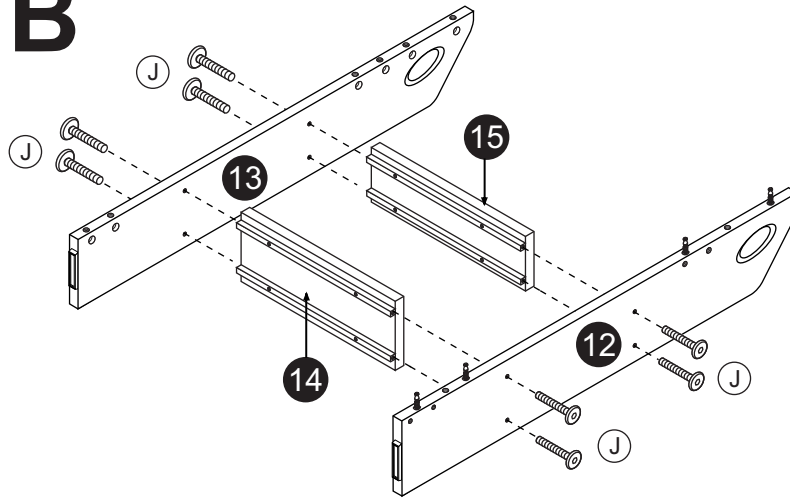
STEP 18

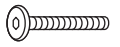



T x 14

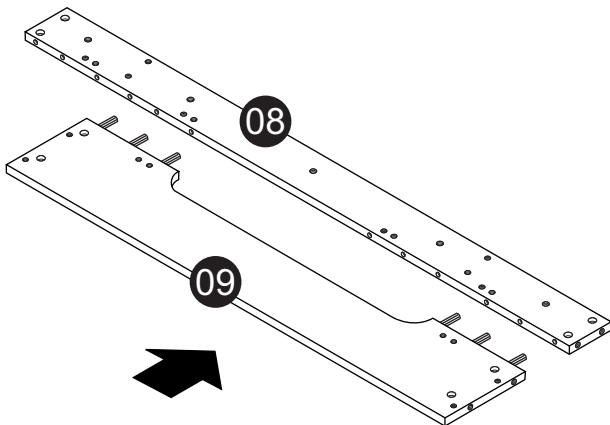
Model: CK 6280

Option B

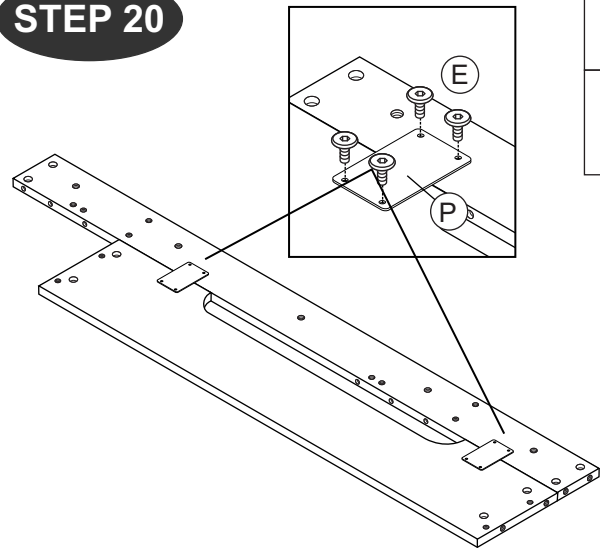



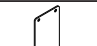

J x 8

STEP 19

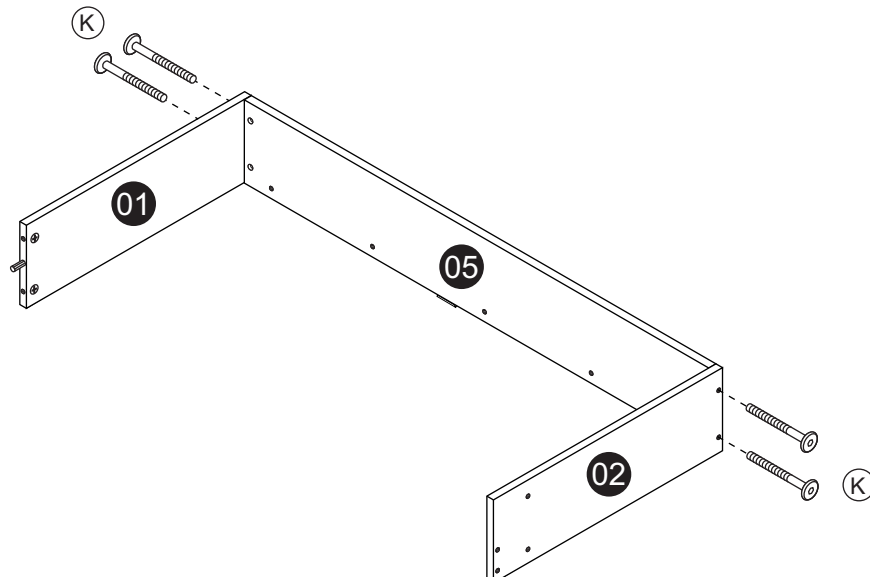


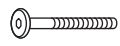
STEP 20




E x 8

P x 2

STEP 21



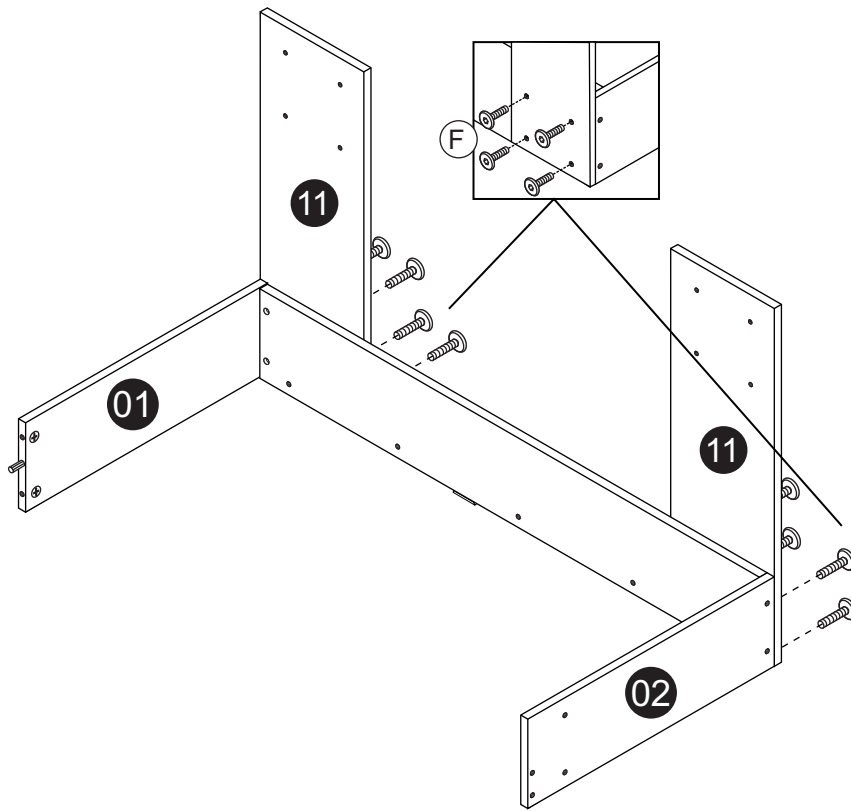

K x 4

GUIDE TO ASSEMBLY

15
20

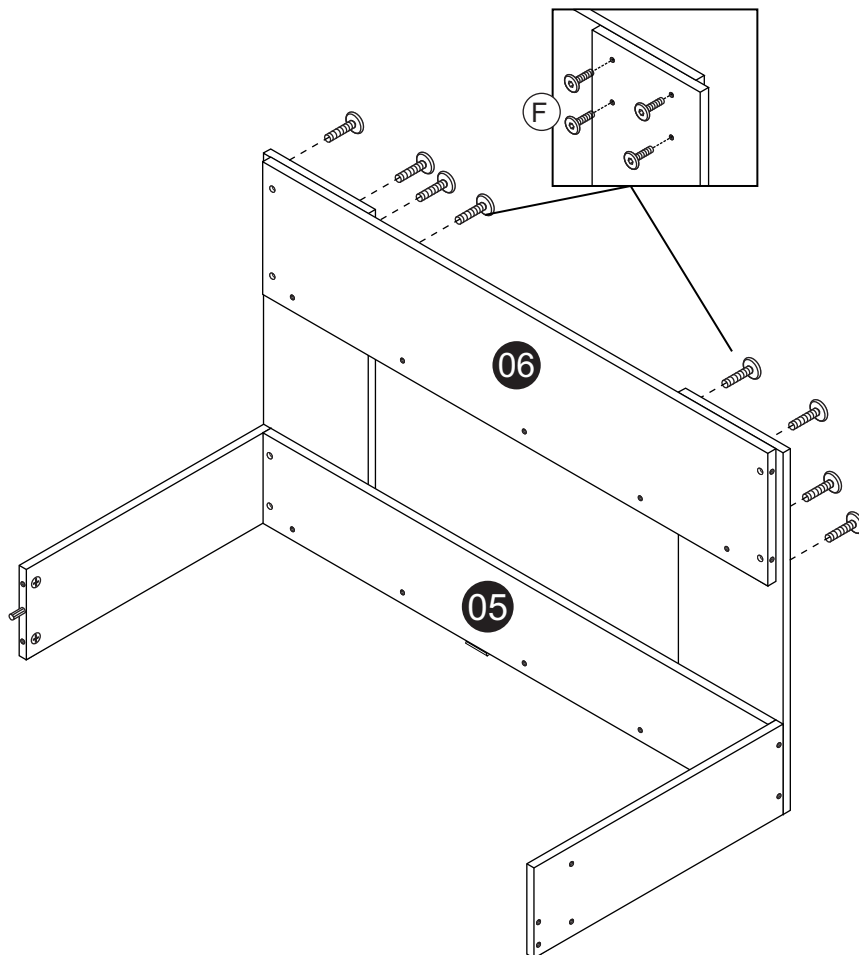
Model: CK 6280

STEP 22



F x 8

STEP 23



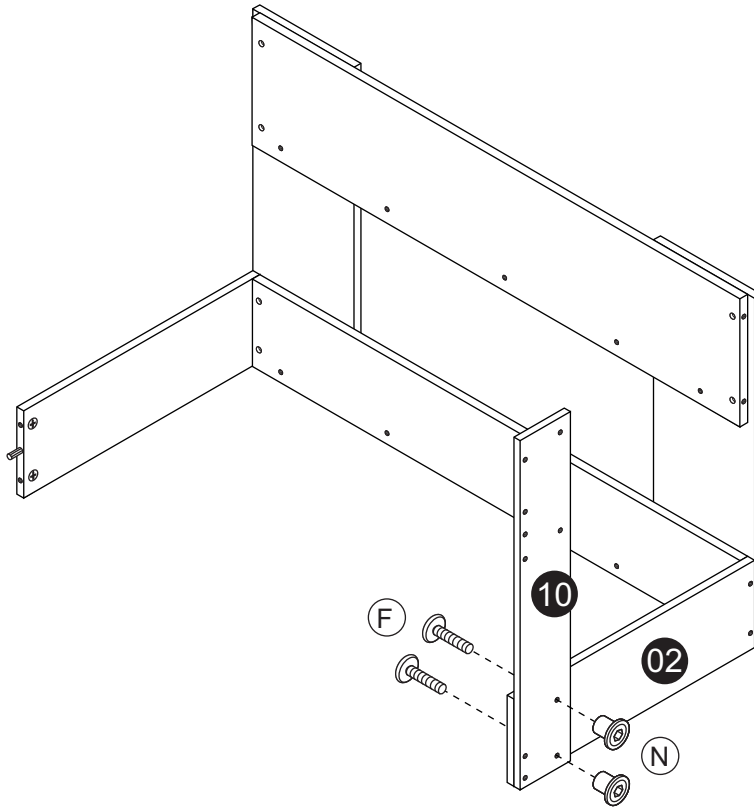
F x 8

GUIDE TO ASSEMBLY

16
20

Model: CK 6280

STEP 24

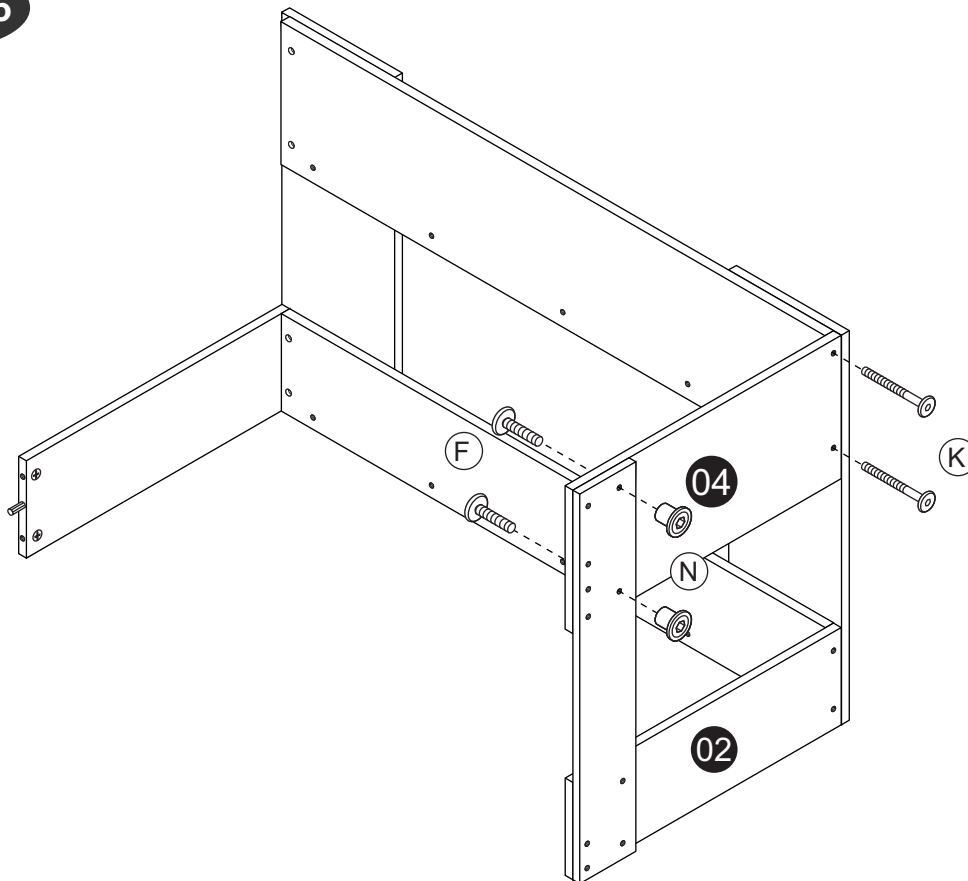


N x 2



F x 2

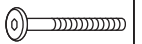
STEP 25



N x 2



F x 2



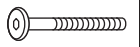
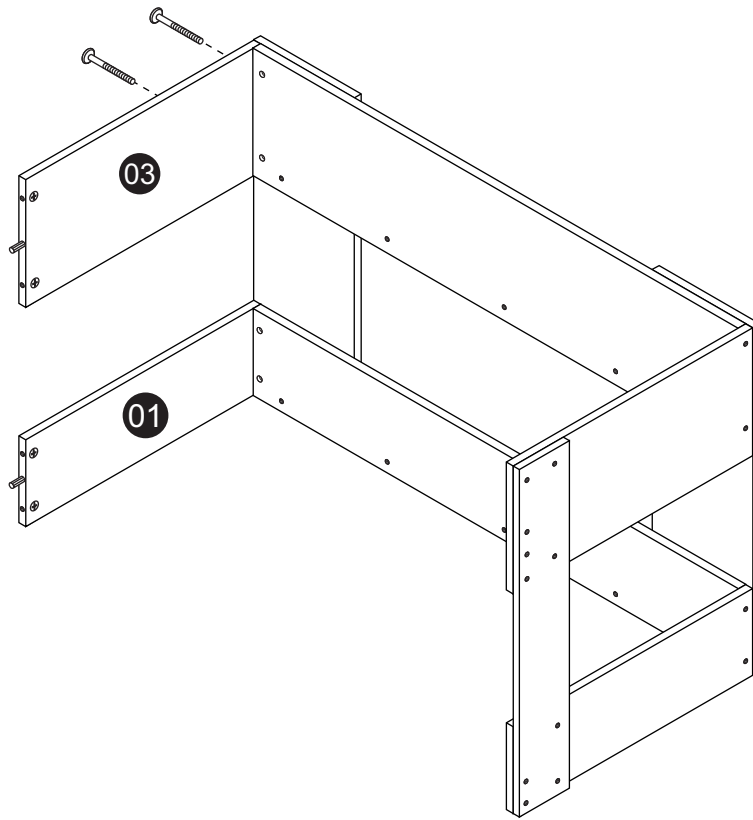
K x 2

GUIDE TO ASSEMBLY

17
20

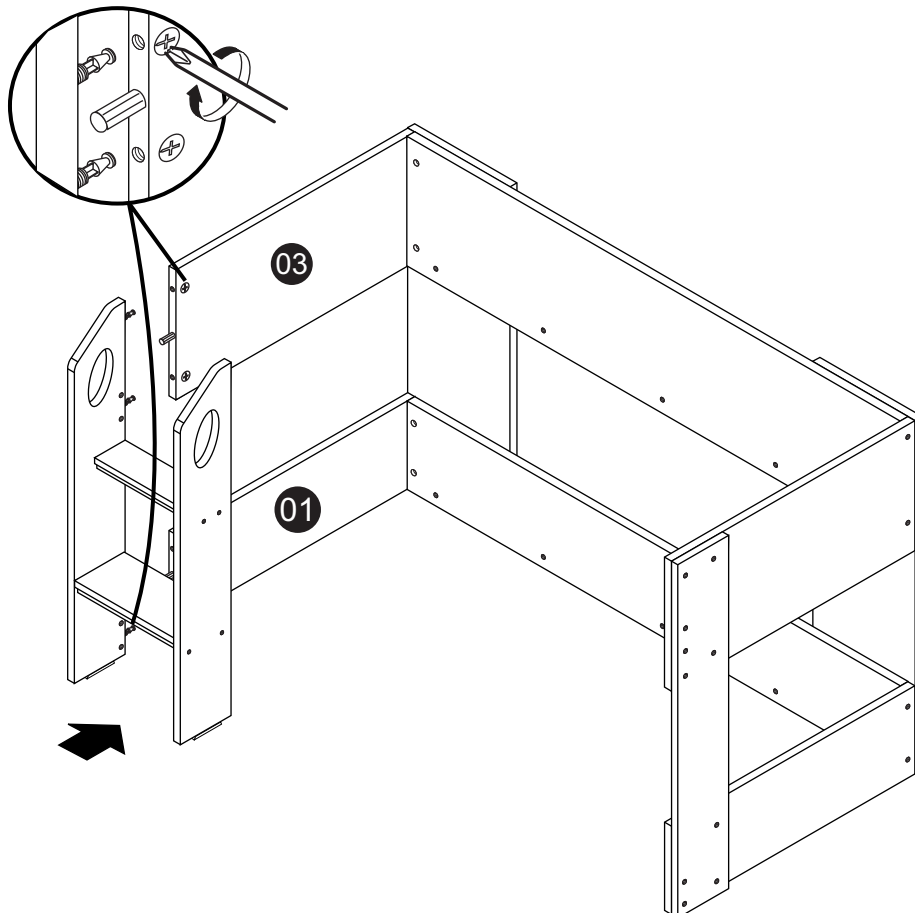
Model: CK 6280

STEP 26



K x 2

STEP 27

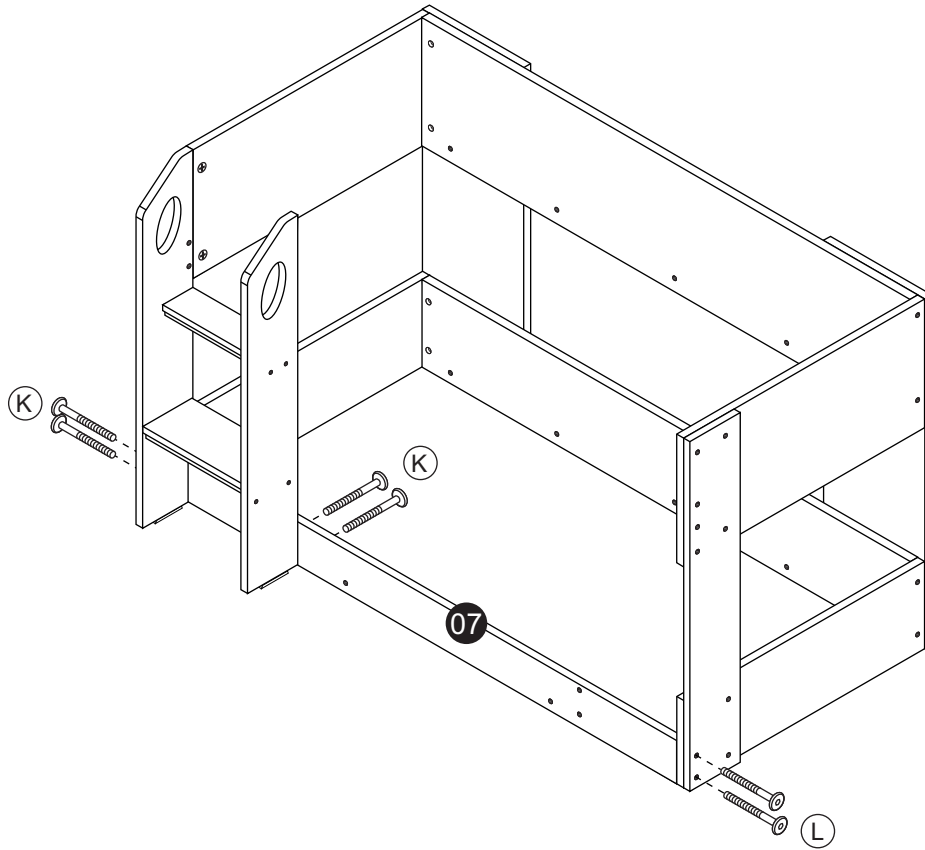


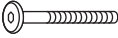
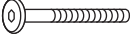
GUIDE TO ASSEMBLY

18
20

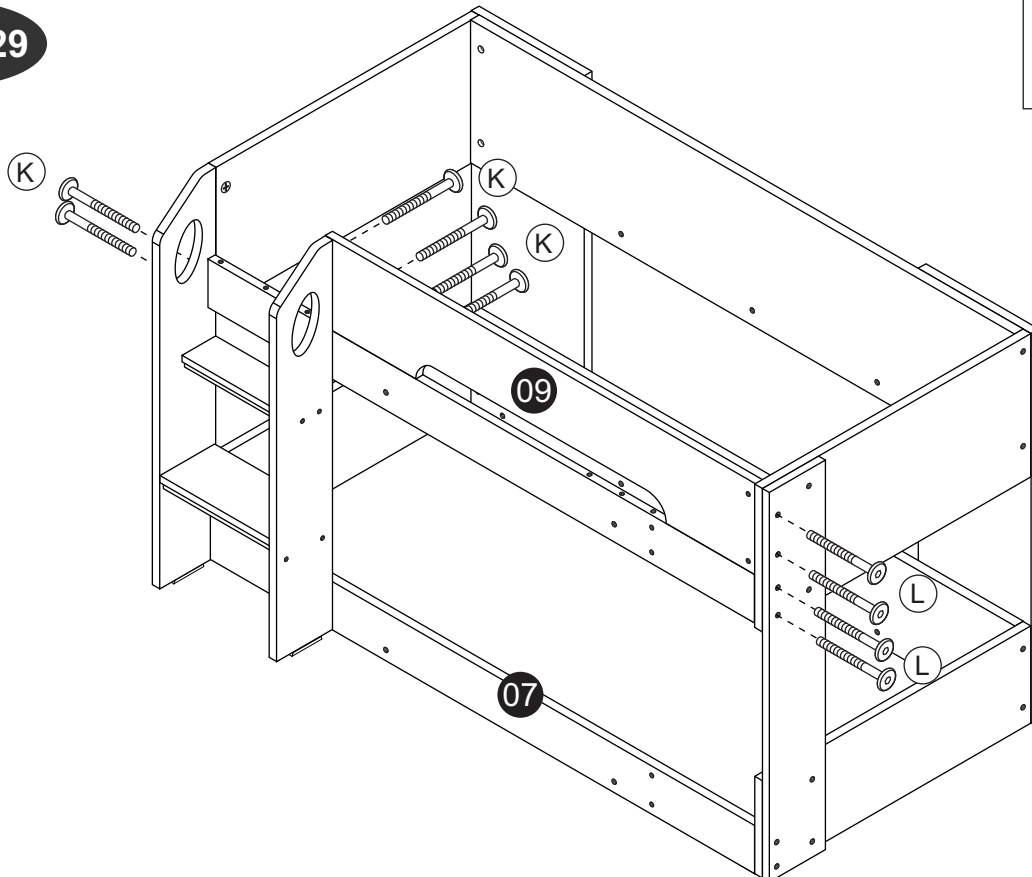
Model: CK 6280

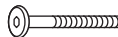

STEP 28



	
K x 4	L x 2

STEP 29



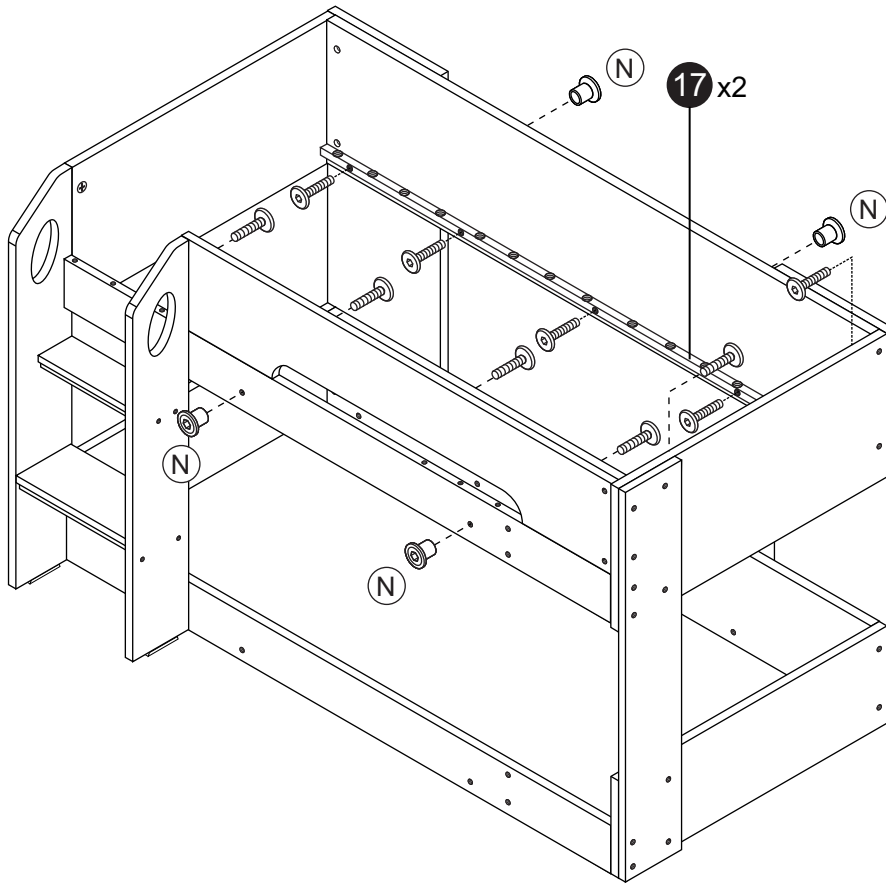
	
K x 6	L x 4

GUIDE TO ASSEMBLY

19
20

Model: CK 6280

STEP 30

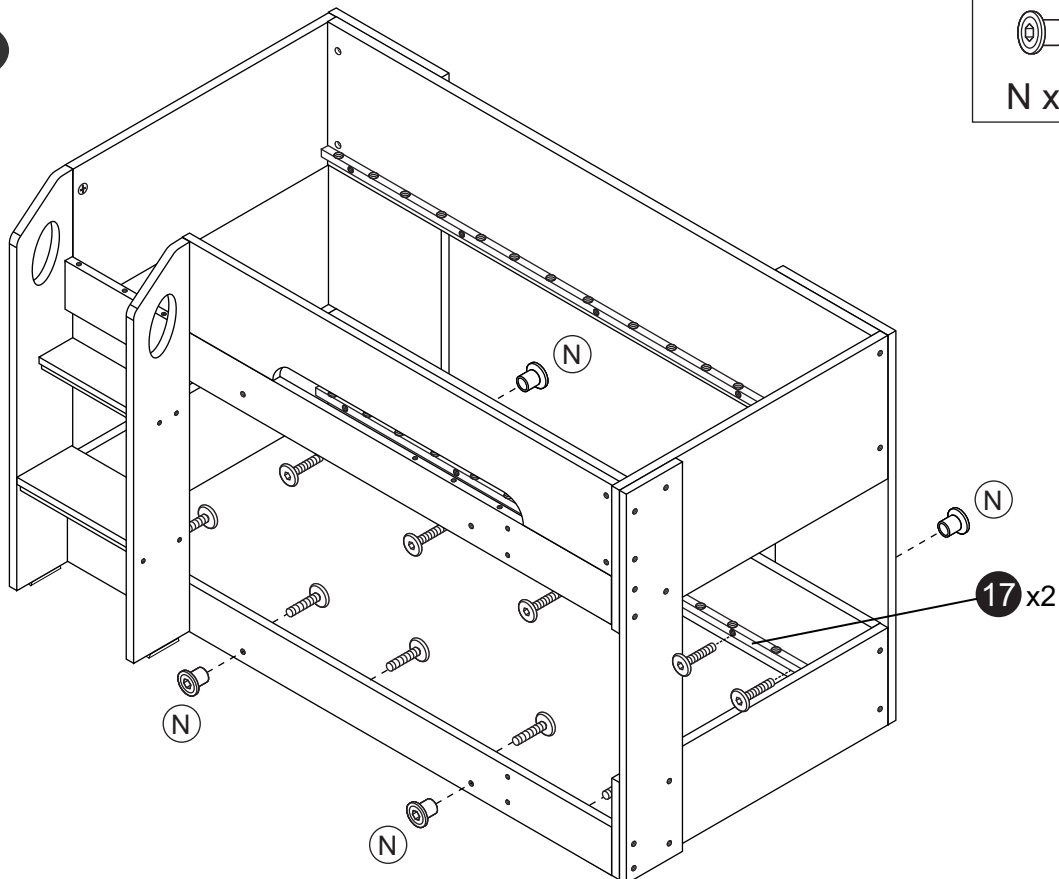


N x 4



H x 10

STEP 31



N x 4



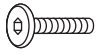
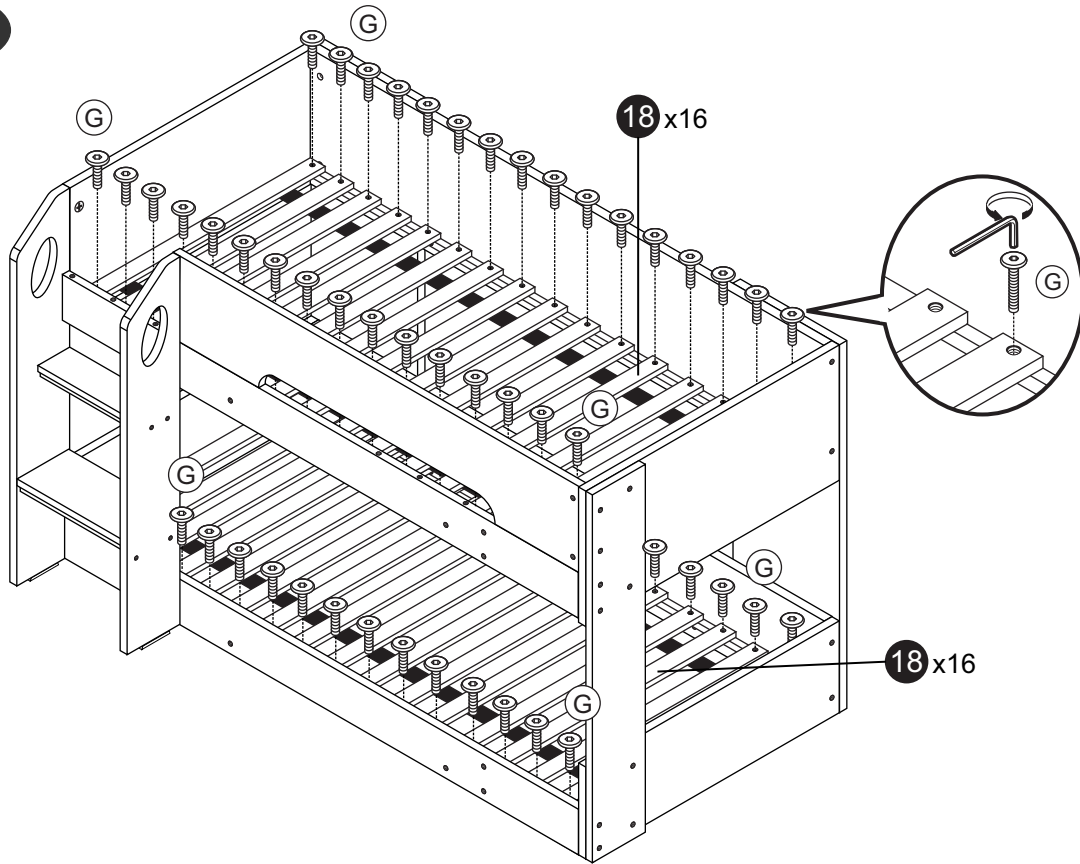
H x 10

GUIDE TO ASSEMBLY

20
20

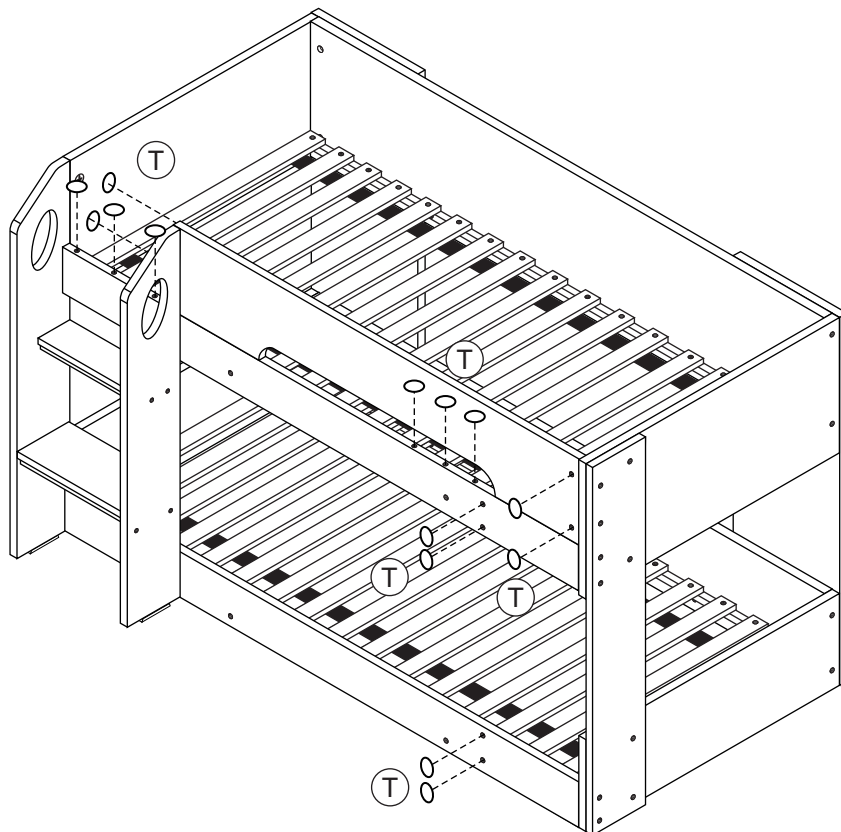
Model: CK 6280

STEP 32



G x 64

STEP 33



T x 14