

ASSEMBLY INSTRUCTIONS

1
6

MODEL : CK 6270
PRODUCT SIZE : 850mm x 1900mm

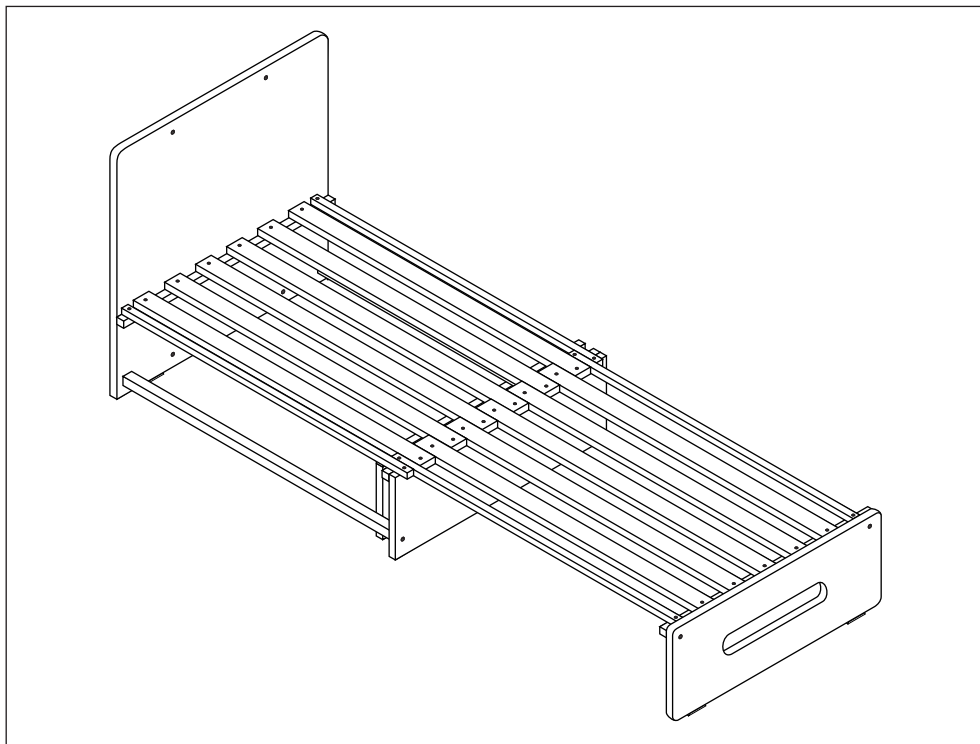
Thank you for purchasing this product. Before starting assembly we suggest you spend a short time reading through this leaflet, then follow the simple step by step guide.
Two persons are needed to assemble this product.



* Approximately 45 Min



* 2 People Required



Ensure that you check regularly that all bolt are securely fastened and all components are in place.

If spare parts are required, contact your dealer. Do not use substitute part.

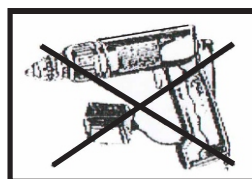
This instructions should be kept in a safe place for future reference.

Tools Required For Assembly



Philips Screw Driver

Tools Not Use



DO NOT USE POWER TOOLS TO ASSEMBLE THIS PRODUCT. USE OF POWER TOOLS WILL INVALIDATE ANY CLAIM AND MAY DAMAGE THIS PRODUCT MAKING IT UNSAFE.

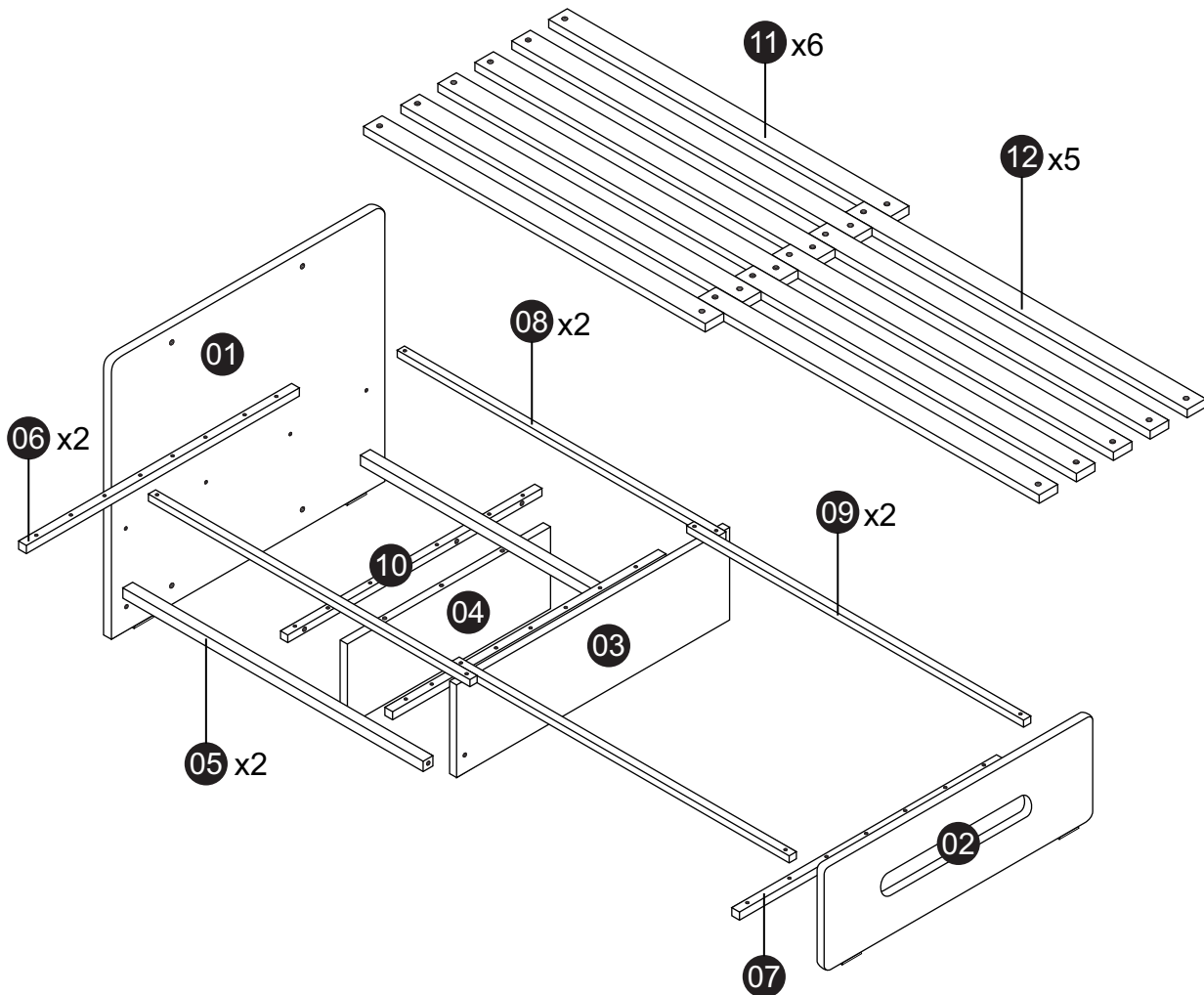


DO NOT USE HAMMER

PARTS LIST

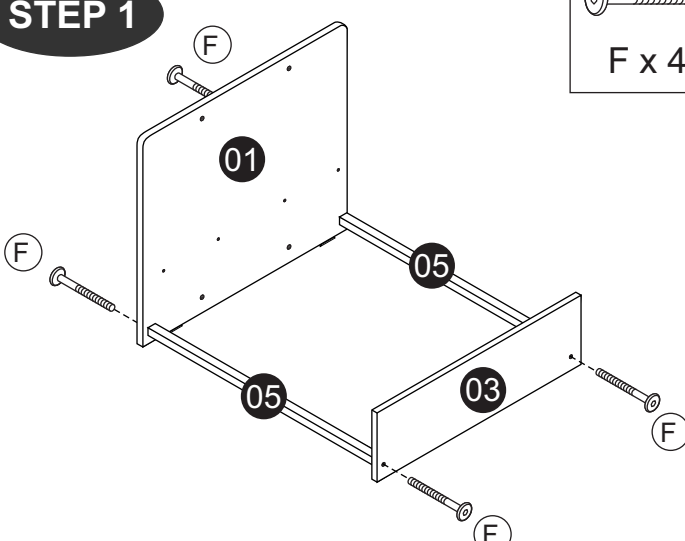
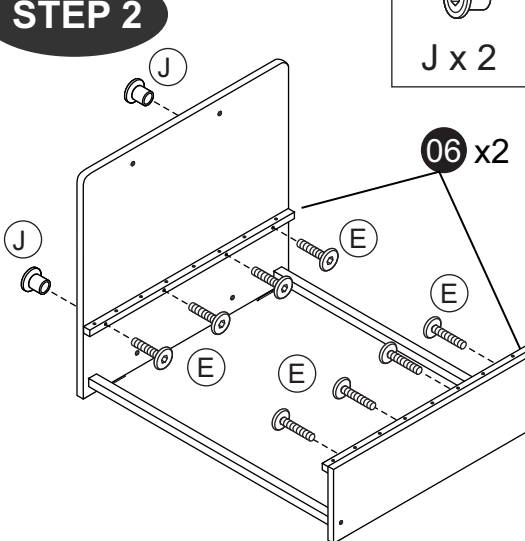
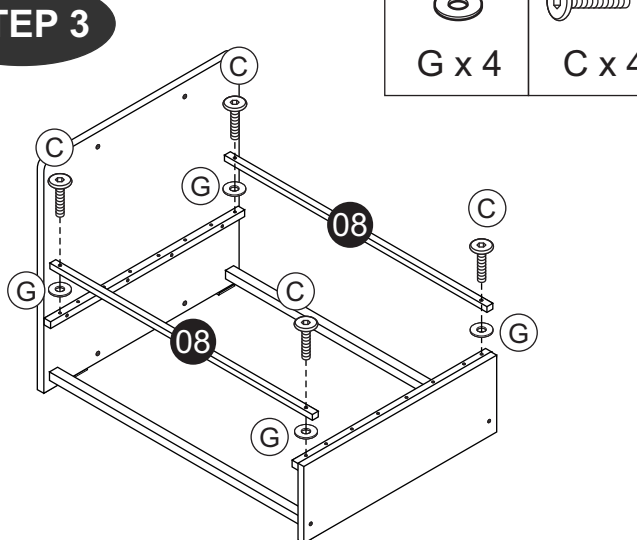
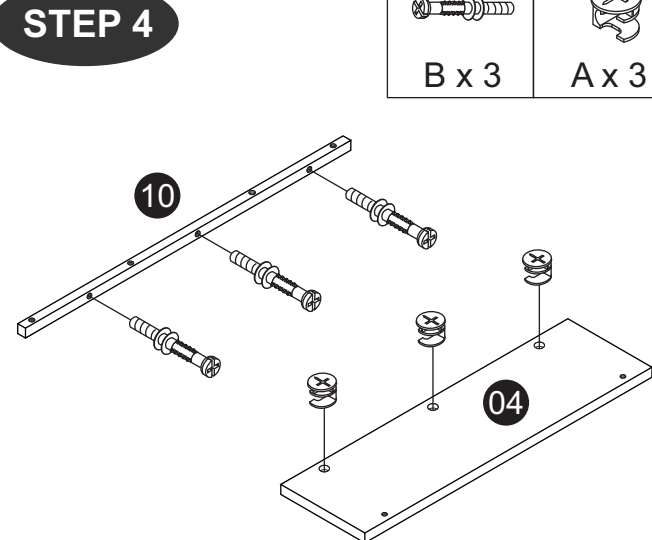
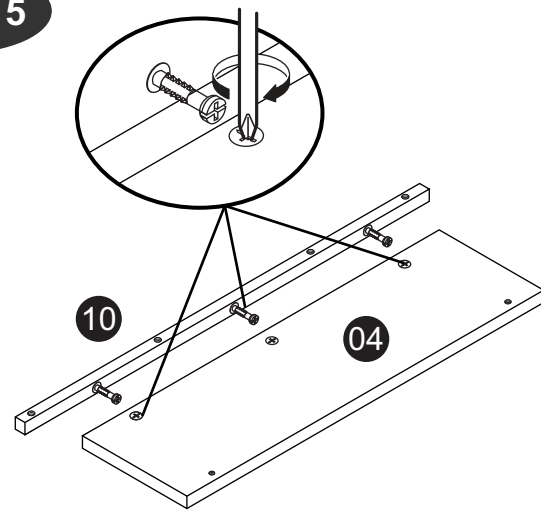
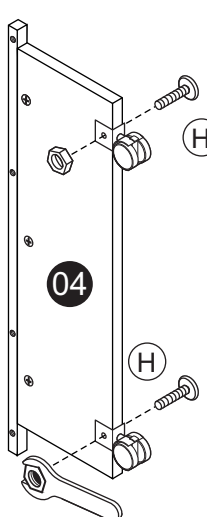
Model: CK 6270

Carton 1 of 1			FITTING LIST		
No.	Part Name	Pcs	(A)	Cam	
(01)	HEADBOARD PANEL	1	(B)	Cam Stud (240608)	3
(02)	FOOTBOARD PANEL	1	(C)	M6 x 25mm Allen Bolt	30
(03)	CENTER PANEL	1	(E)	M6 x 35mm Allen Bolt	12
(04)	CENTER PANEL	1	(F)	M6 x 50mm Allen Bolt	4
(05)	METAL SUPPORT BED	2	(G)	2/8 Silver Washer	30
(06)	METAL SUPPORT BASE	2	(H)	16.5mm U ShapePP Caster White	2set
(07)	METAL SUPPORT BASE	1	(J)	M6 JCN Nut	4
(08)	METAL SIDE BASE	2	(K)	Spanar	1
(09)	METAL SIDE BASE	2	(L)	M6 Allen Wrench	2
(10)	METAL SUPPORT BASE	1	(M)	M6 x 30mm Allen Bolt	2
(11)	LVL SLAT BASE	6	(N)	Sticker (White 13mm)	4
(12)	LVL SLAT BASE	5			



GUIDE TO ASSEMBLY

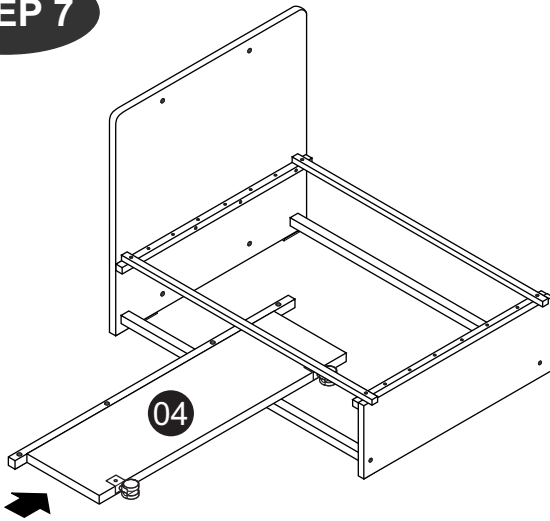
Model: CK 6270

<p>STEP 1</p>  <p>F x 4</p>	<p>STEP 2</p>  <p>J x 2 E x 8</p> <p>06 x 2</p>
<p>STEP 3</p>  <p>G x 4 C x 4</p>	<p>STEP 4</p>  <p>B x 3 A x 3</p>
<p>STEP 5</p> 	<p>STEP 6</p>  <p>H x 2set</p> <p>K x 1</p>

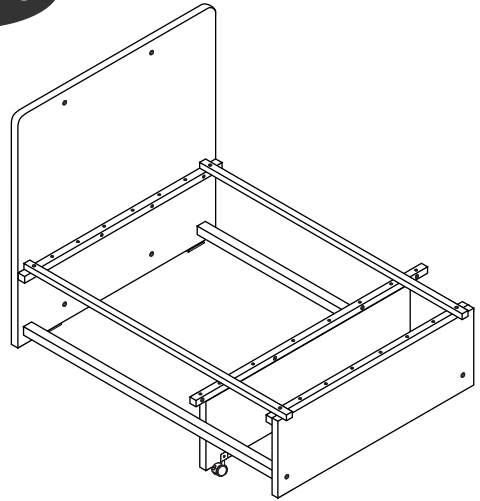
GUIDE TO ASSEMBLY

Model: CK 6270

STEP 7



STEP 8



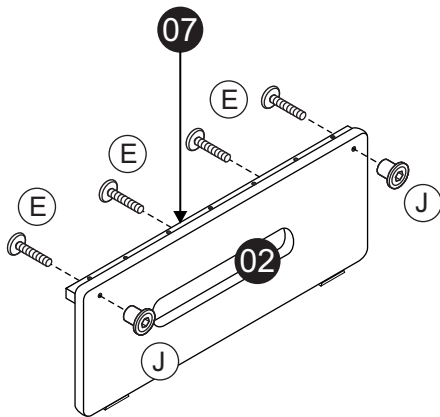
STEP 9



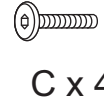
J x 2



E x 4



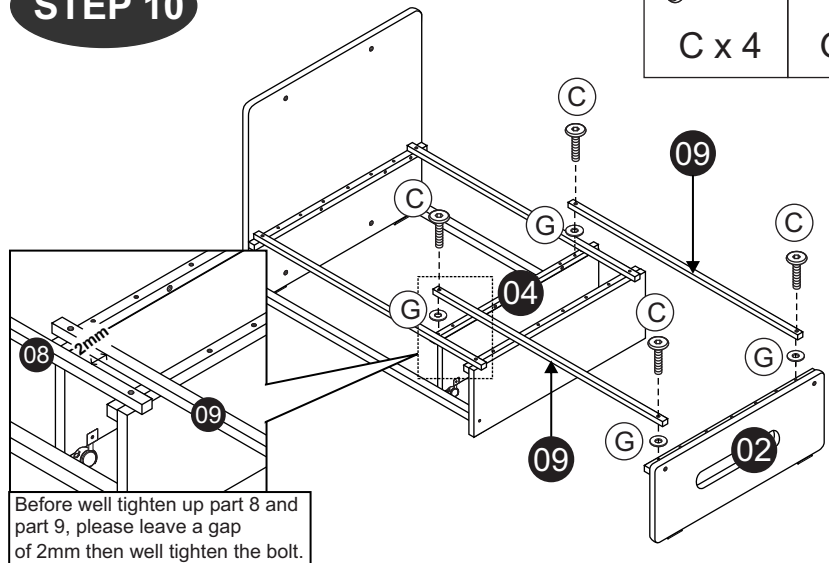
STEP 10



C x 4



G x 4



Before well tighten up part 8 and part 9, please leave a gap of 2mm then well tighten the bolt.

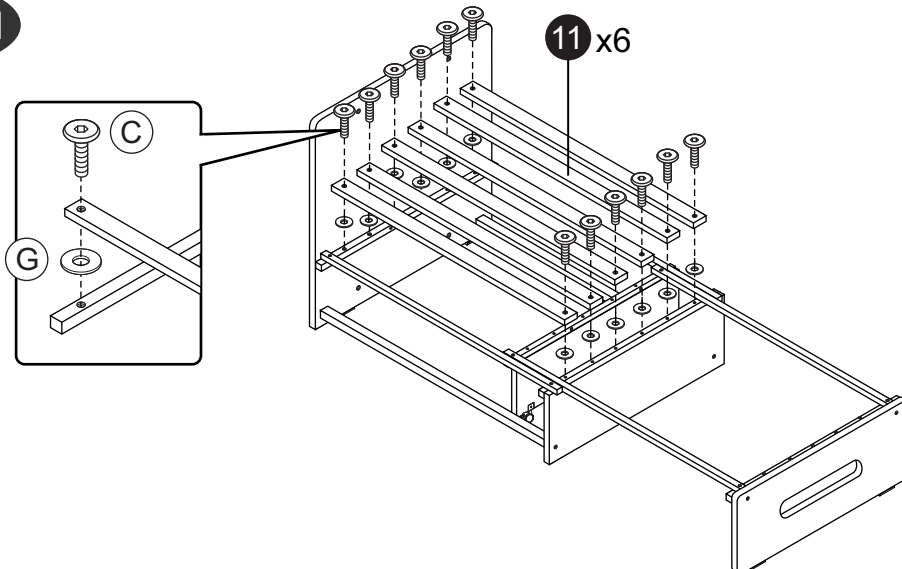
STEP 11



G x 12



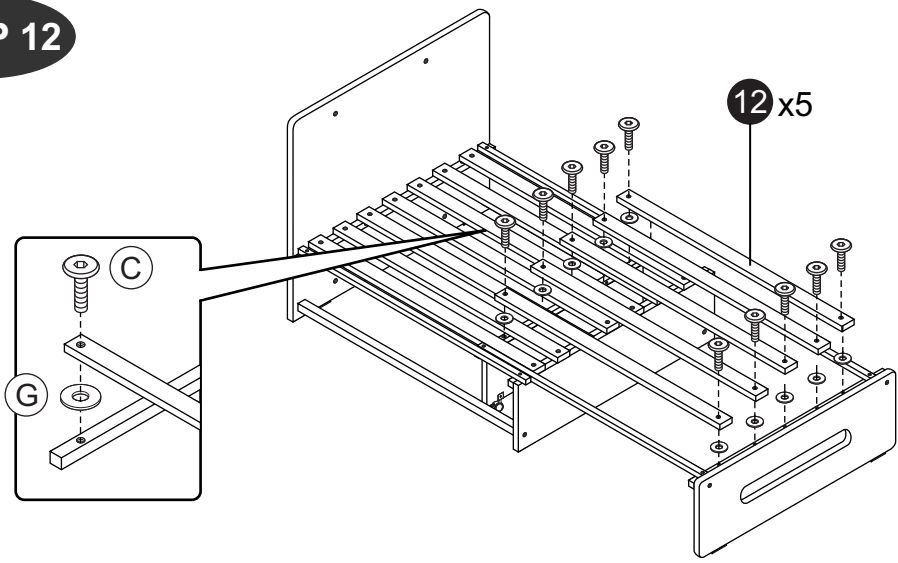
C x 12





GUIDE TO ASSEMBLY

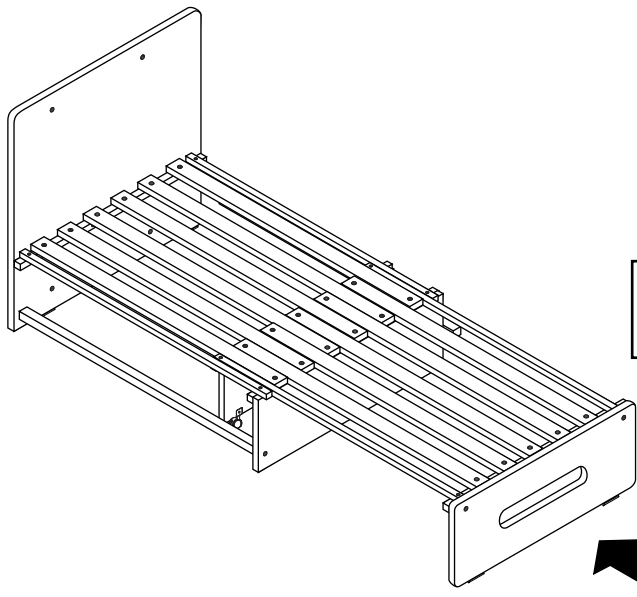
Model: CK 6270

STEP 12



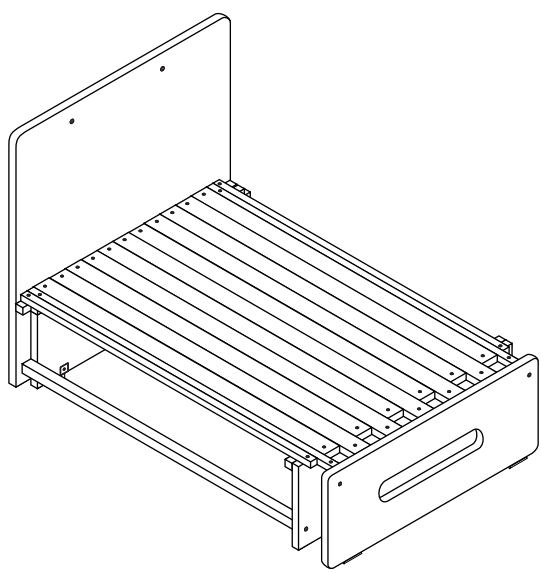
 C x 10	 G x 10
---	---

STEP 13



Lift end slightly up before pull out


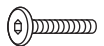
STEP 14



GUIDE TO ASSEMBLY

Model: CK 6270

STEP 15

	
N x 2	M x 2

